


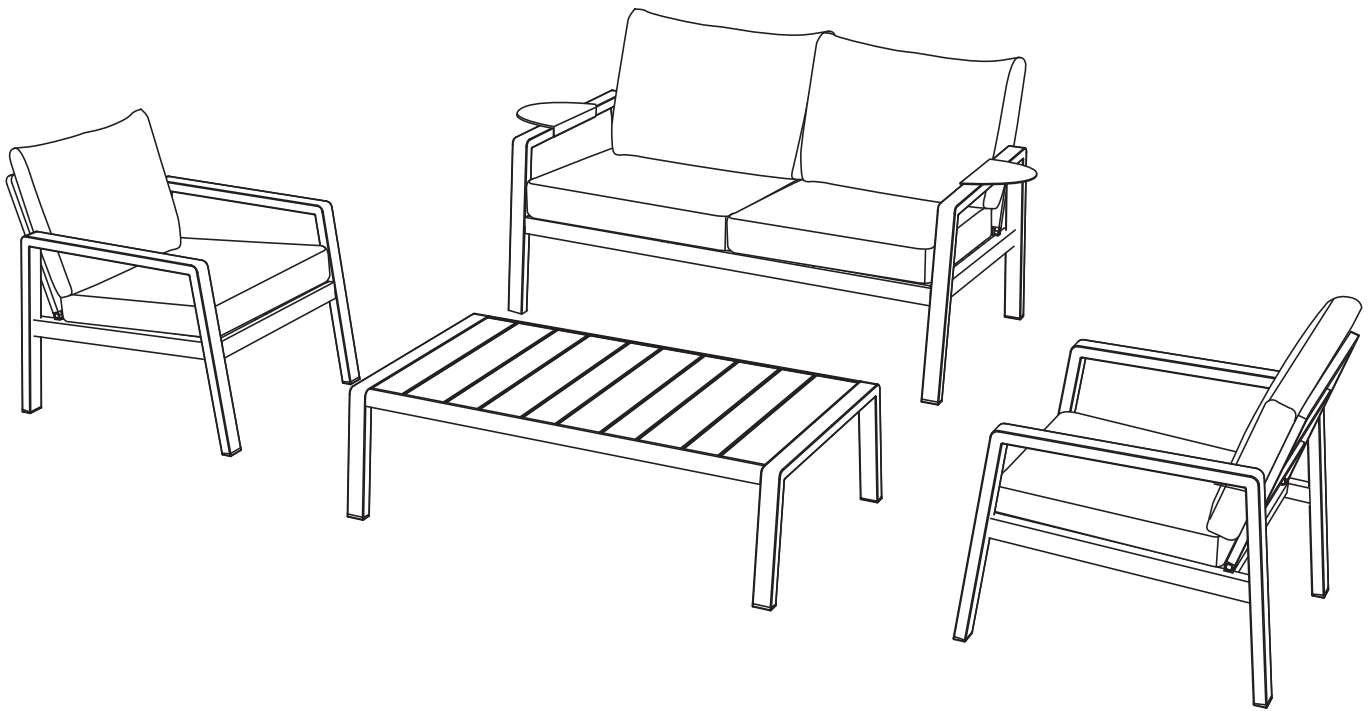


Artwork done by Impala Services Ltd
info@impala-tech.com



SEPARATIONS	JOB INFO				
 PROCESS BLACK	PID #: 217797_s3_s4 Agency Job #: PRJ23048 Product Description: Santorin Coffee Set 4 People, Aluminium Sand Peyote [UK]		Brand: Brand Contact: Ronald Luo Barcode: 5059340353166 Vendor: Letright No. of New Line Drawings: 0 Page Size: A4 / No. of Pages: 0		
VERSION #					
	1 31/08/21 Manisha	2 07/09/21 Manisha	3 XX/XX/21 XXX	4 XX/XX/21 XXX	5 XX/XX/21 XXX
This file is the property of Kingfisher Group Plc. No copying, alteration or amendment is permitted without written authorisation from the Kingfisher Brand Team.					
翠丰集团不会以专色(PMS)作参考，请参照已提供的印刷标准及Lab色彩数值生产以符合印刷品之标准。本文件的版权归翠丰集团所有。未经翠丰品牌团队的书面同意，不得对本文件进行复制、变更或修改。					

Santorin



5059340676777



EN Contents
RO Cuprins
TR İçindekiler

FR Contenu
ES Contenido

PL Zawartość
PT Conteúdo

2



Assembly

4

FR Assemblage
PL Montaż
RO Asamblare
ES Montaje
PT Montagem
TR Montaj

4
4
4
4
4
4



Care

9

FR Entretien
PL Czyszczenie
RO Îngrijire
ES Cuidados
PT Cuidados
TR Bakım

9
9
9
9
9
9



EN **IMPORTANT** - Please read carefully the separate safety guide before use.

FR **IMPORTANT** - Lire attentivement le guide de sécurité séparé avant utilisation.

PL **WAŻNE** - Przed użyciem proszę dokładnie zapoznać się z instrukcją bezpieczeństwa.

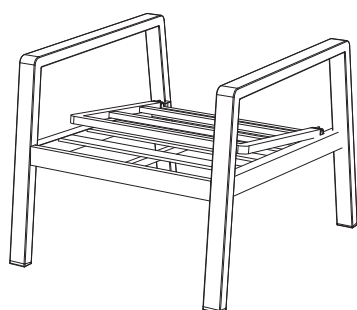
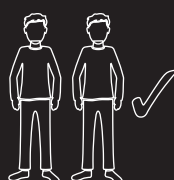


RO **IMPORTANT** - Vă rugăm să citiți cu atenție ghidul de siguranță separat înainte de utilizare.

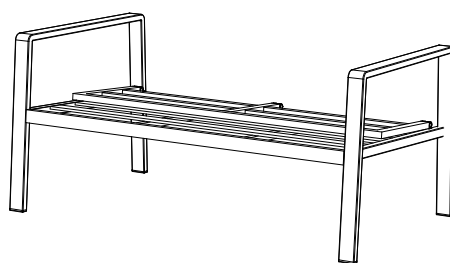
ES **IMPORTANTE** - Lea atentamente la guía de seguridad separado antes de utilizar.

PT **IMPORTANTE** - Leia atentamente o guia de segurança separado antes de usar.

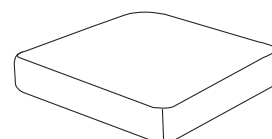
TR **ÖNEMLI** - Kullanmadan önce emniyet kurallarını lütfen dikkatle okuyun.



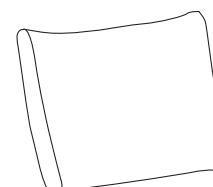
[01] x 2



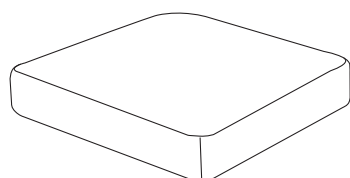
[02] x 1



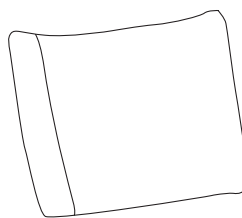
[03] x 2
(55 x 61 x 11 cm)



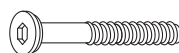
[04] x 2
(55 x 42 x 14 cm)



[05] x 2
(65 x 61 x 11 cm)



[06] x 2
(65 x 42 x 14 cm)



[07] x 6
(M6 x 50 mm)



[08] x 4
(M6 x 40 mm)



[09] x 4
(M6 x 25 mm)



[10] x 14



[11] x 2



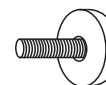
[12] x 14



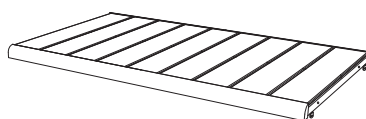
[13] x 1



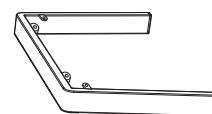
[14] x 2



[15] x 2



[16] x 1



[17] x 2



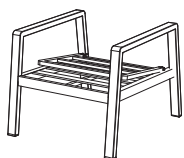
EN Assembly
RO Asamblare
TR Montaj

FR Assemblage
ES Montaje

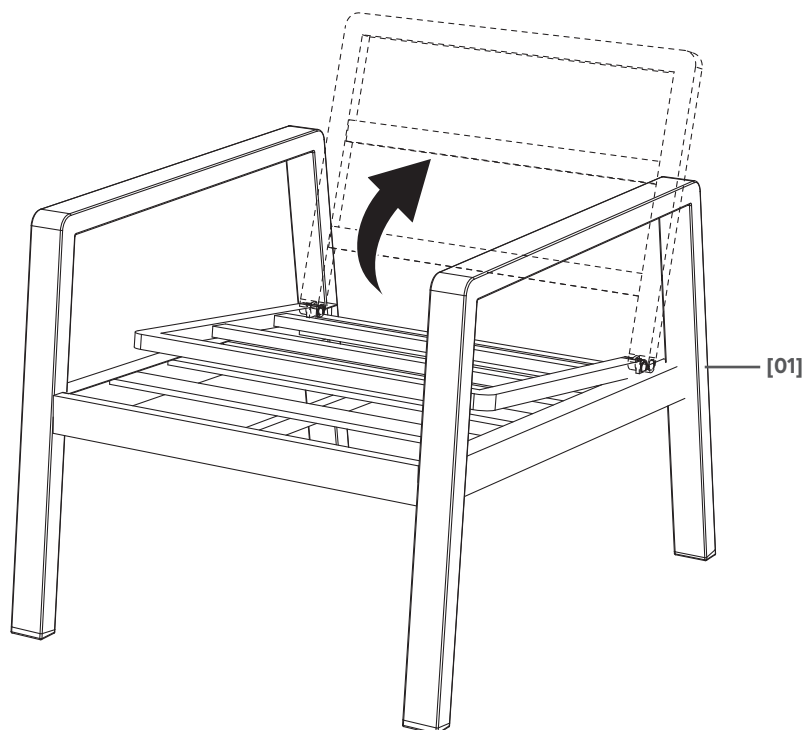
PL Montaż
PT Montagem

4

01

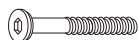


[01] x 2



x 2

02



[07] x 4



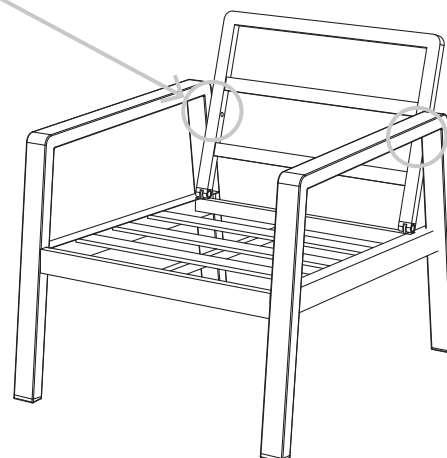
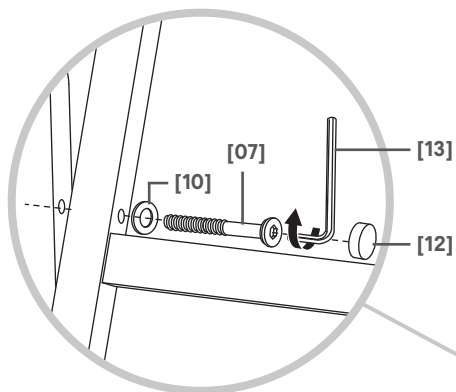
[10] x 4



[12] x 4



[13] x 1



x 2



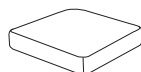
EN Assembly
RO Asamblare
TR Montaj

FR Assemblage
ES Montaje

PL Montaż
PT Montagem

5

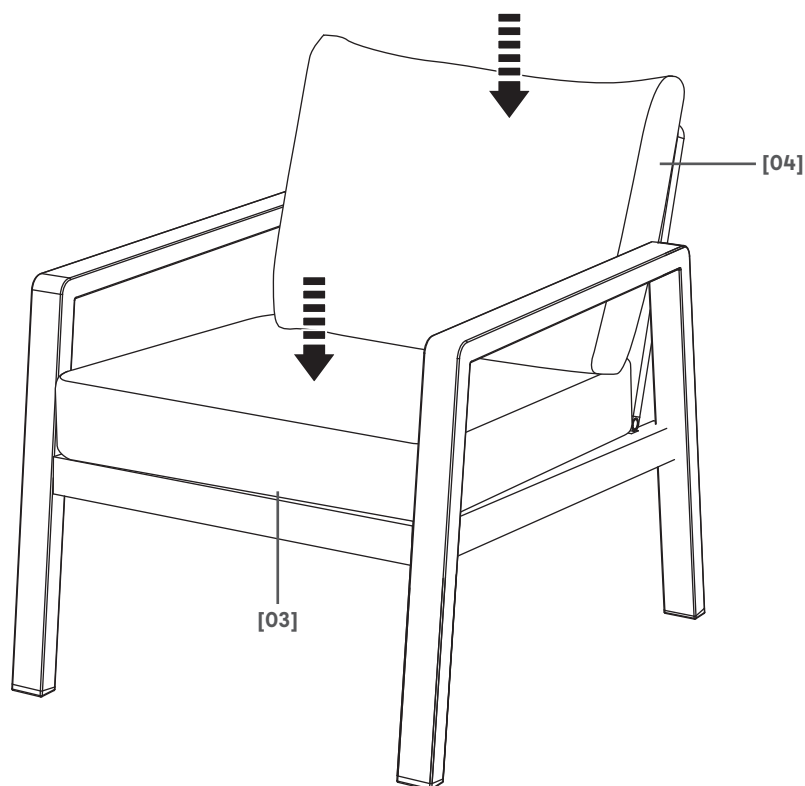
03



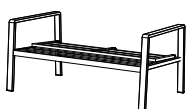
[03] x 2



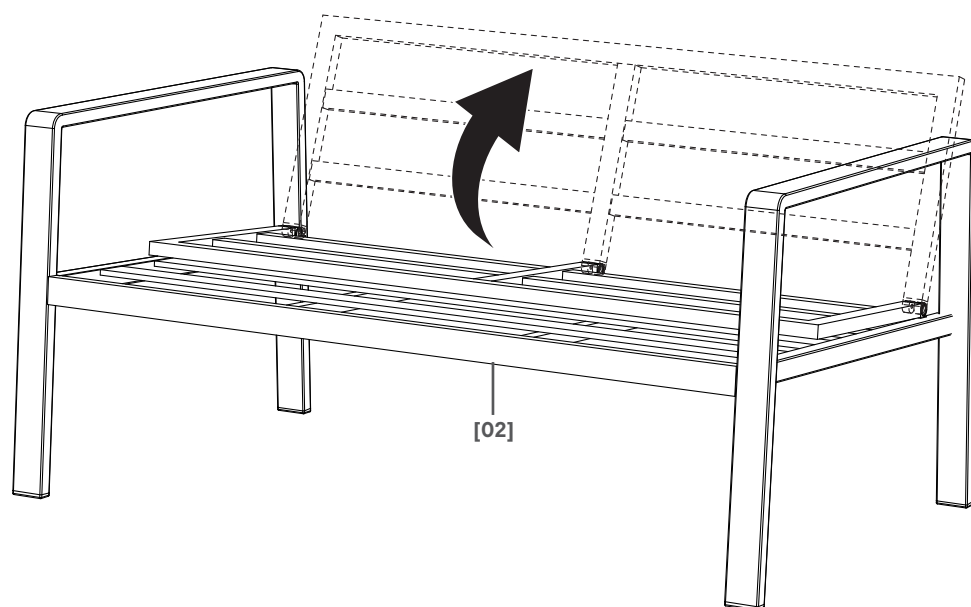
[04] x 2



04



[02] x 1





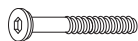
EN Assembly
RO Asamblare
TR Montaj

FR Assemblage
ES Montaje

PL Montaż
PT Montagem

6

05



[07] x 2



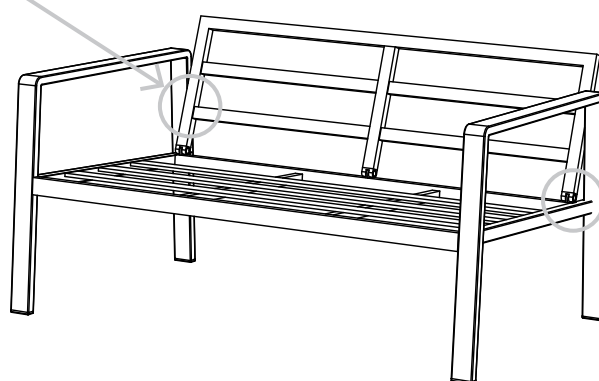
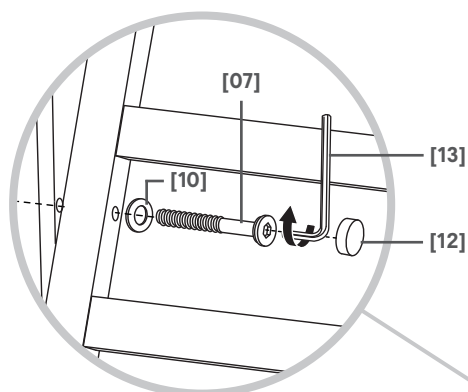
[10] x 2



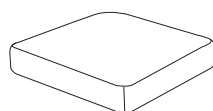
[12] x 2



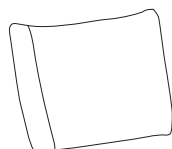
[13] x 1



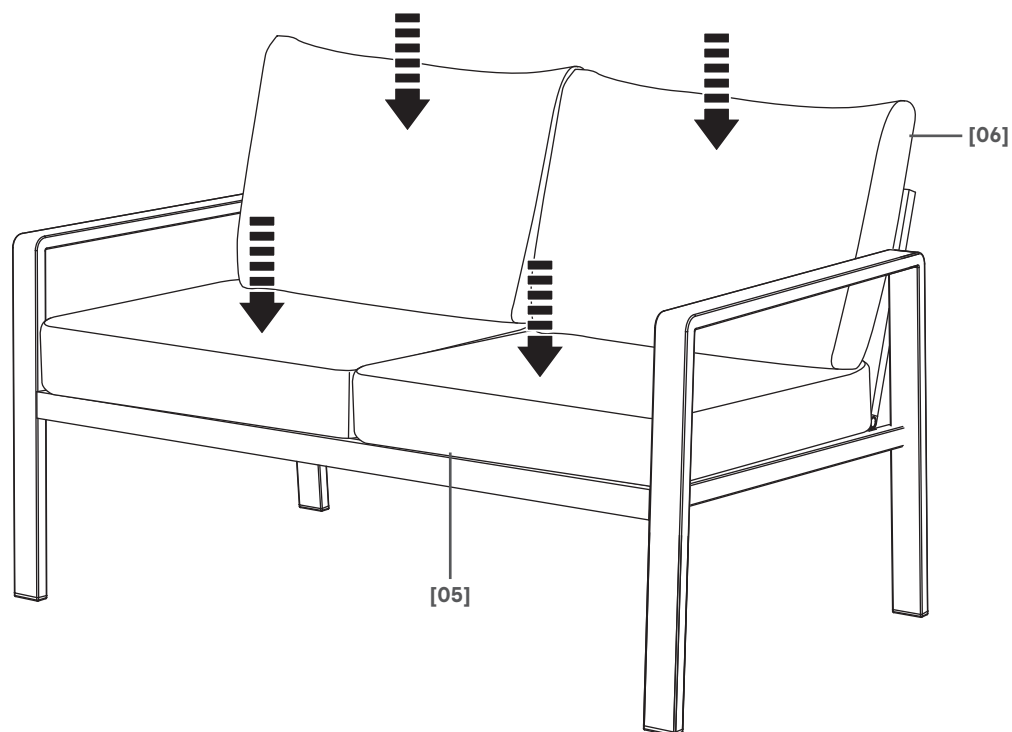
06



[05] x 2



[06] x 2





EN Assembly
RO Asamblare
TR Montaj

FR Assemblage
ES Montaje

PL Montaż
PT Montagem

7

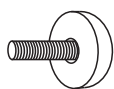
07



[11] x 2

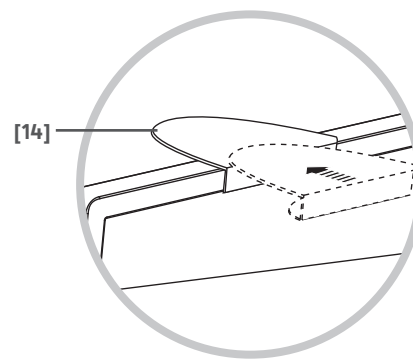
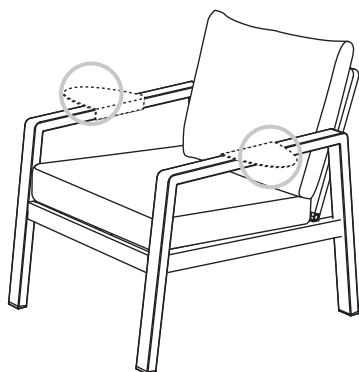


[14] x 2

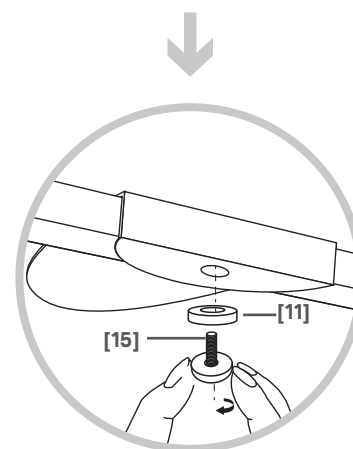
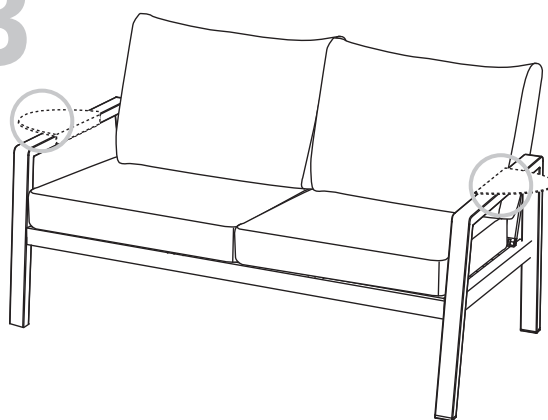


[15] x 2

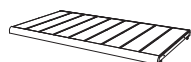
A



B



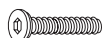
08



[16] x 1



[17] x 2



[08] x 4



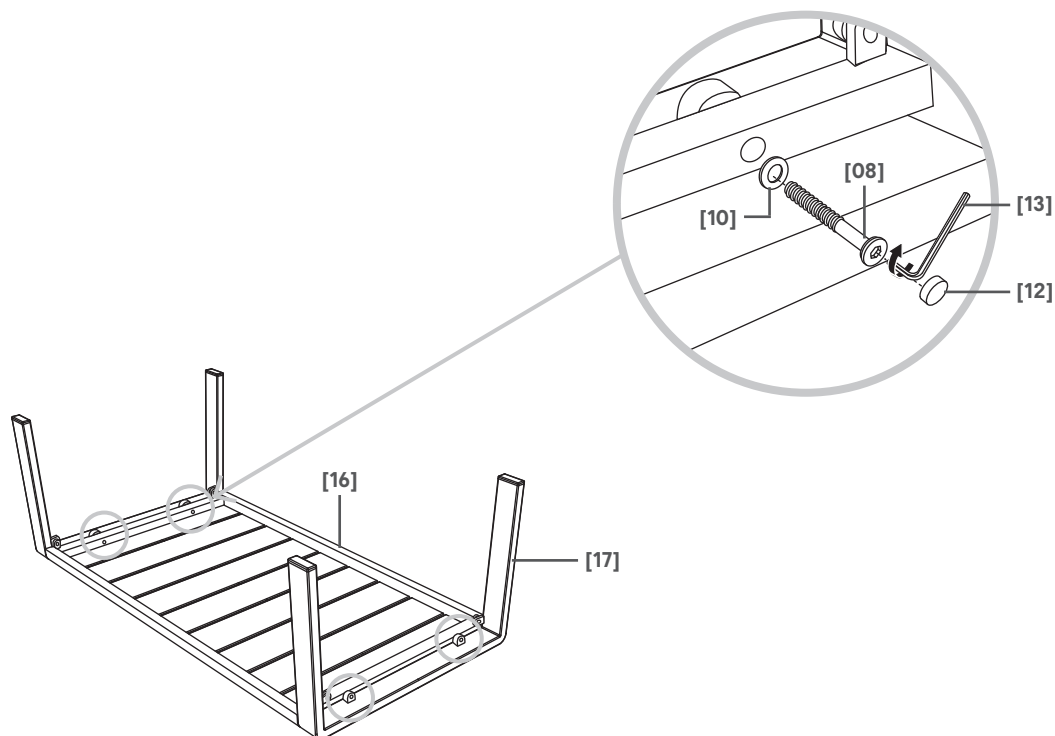
[10] x 4



[12] x 4



[13] x 1





EN Assembly
RO Asamblare
TR Montaj

FR Assemblage
ES Montaje

PL Montaż
PT Montagem

8

09



[09] x 4



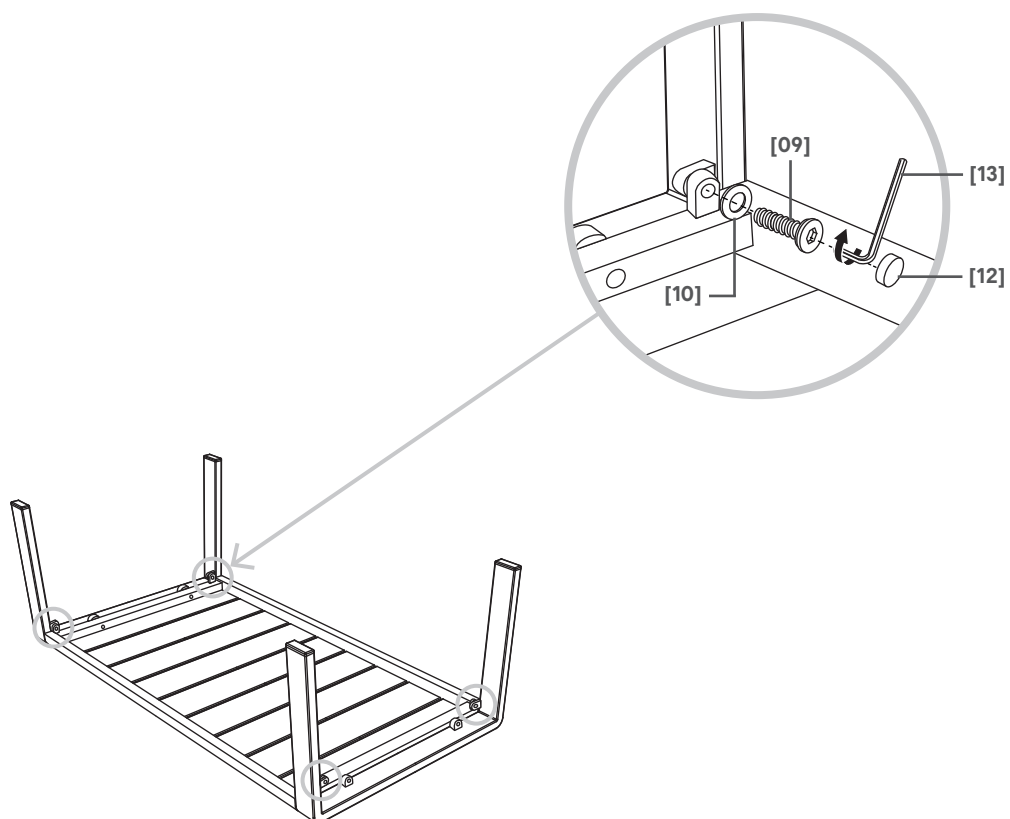
[10] x 4



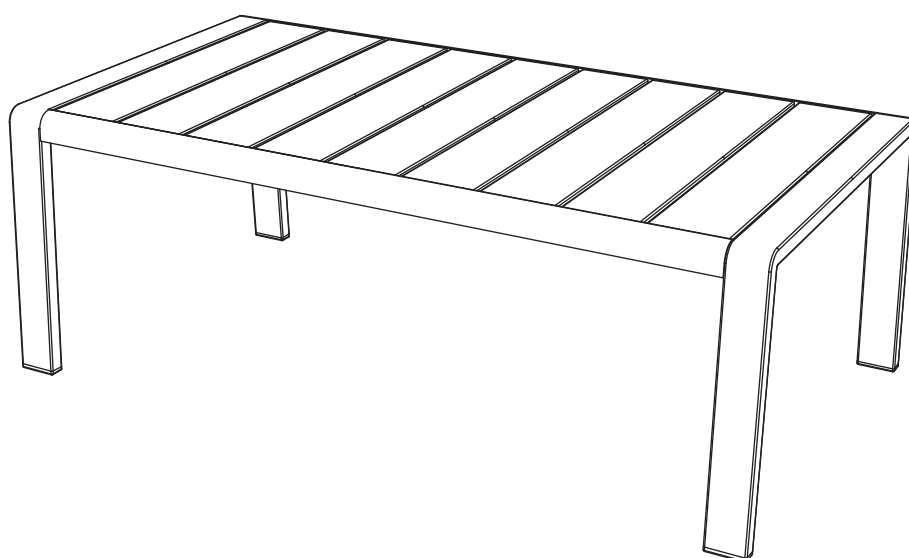
[12] x 4



[13] x 1



10





EN Care
RO Îngrijire
TR Bakım

FR Entretien
ES Cuidados

PL Czyszczenie
PT Cuidados

