

EN IMPORTANT - These instructions are for your safety. Please read through them thoroughly prior to handling the product and retain them for future reference.

FR IMPORTANT : Ces instructions sont données pour votre sécurité. Merci de les lire attentivement avant de manipuler le produit et de les conserver pour référence.

PL WAŻNE — Niniejsza instrukcja została opracowana w celu zapewnienia bezpieczeństwa użytkownikowi. Należy ją dokładnie przeczytać przed obsługą produktu i zachować do wykorzystania w przyszłości.

RO IMPORTANT - Aceste instrucțiuni sunt pentru siguranța ta. Citește-le cu atenție înainte de montarea produsului și păstrează-le pentru consultare ulterioară.

ES IMPORTANTE: Estas instrucciones son para su propia seguridad. Léelas atentamente antes de manipular el producto y guárdelas para futuras consultas.

PT IMPORTANTE - Estas instruções são para sua segurança. Leia-as atentamente antes de manusear o produto e guarde-as para consultas futuras.

V20423_5059340445793_MAND1_2223

EN Gas On Glass Link Sense Hob

FR Plaque de cuisson au gaz avec surface en verre

PL Płyta gazowa szklana

RO Plită pe gaz din sticlă

ES Placa de gas sobre encimera de cristal

PT Placa de vidro a gás

GH60GASLK
5059340445793

GH78GASLK
5059340445786

EN Parts FR Pièces PL Części RO Piese ES Piezas PT Peças

EN Gas on glass 4 burner hob 60cm

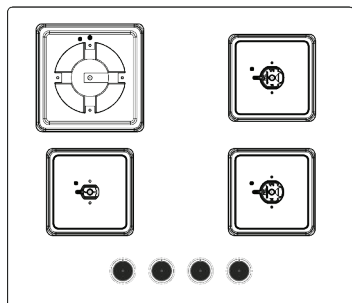
FR Plaque de cuisson au gaz avec surface en verre, 4 brûleurs, 60cm

PL Płyta gazowa szklana 4-palnikowa 60 cm

RO Plită pe gaz din sticlă cu 4 arzătoare, 60 cm

ES Placa de gas sobre panel de cristal, 4 fuegos, 60 cm

PT Placa de vidro a gás com 4 queimadores de 60 cm



01. x1



02. x1



03. x2



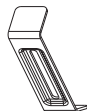
04. x1



05. x1



07. x1



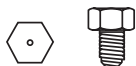
08. x3



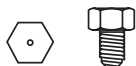
09. x1



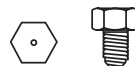
10. x3



11. x4
G20 20 mbar



12. x4
G 25 25 mbar



13. x4
G30 28-30 mbar /
G31 30 mbar

EN (Factory Fitted)

FR (monté en usine)

PL (montaż fabryczny)

RO (montat din fabrică)

ES (instalado en fábrica)

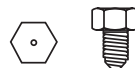
PT (instalado de fábrica)



14. x4
G31 37 mbar



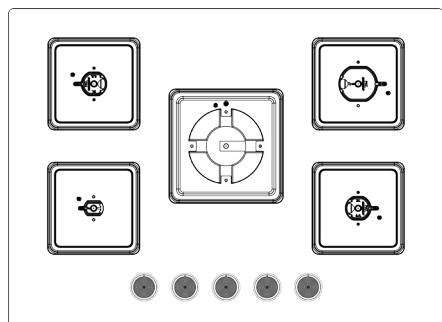
15. x4
G30 37 mbar



16. x4
G2.350 13 mbar

EN Gas on glass 5 burner hob 70cm
 FR Plaque de cuisson au gaz avec surface en verre, 5 brûleurs, 70cm
 PL Płyta gazowa szklana 5-palnikowa 70 cm

RO Plită pe gaz din sticlă cu 5 arzătoare, 70 cm
 ES Placa de gas sobre panel de cristal, 5 fuegos, 70 cm
 PT Placa de vidro a gás com 5 queimadores de 70 cm



01. x1



02. x1



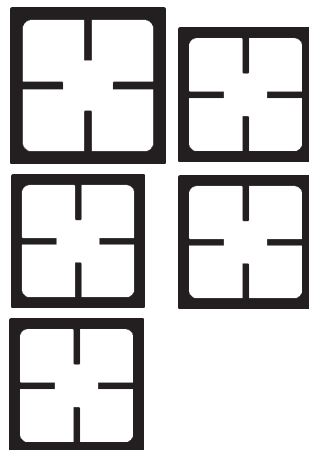
03. x1



04. x2



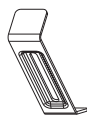
05. x1



06. x1



07. x1



08. x3



09. x1



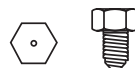
10. x3



11. x5
G20 20 mbar



12. x4
G 25 25 mbar



13. x5
G30 28-30 mbar /
G31 30 mbar

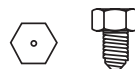
EN (Factory Fitted)
 FR (monté en usine)
 PL (montaż fabryczny)
 RO (montat din fabrică)
 ES (instalado en fábrica)
 PT (instalado de fábrica)



14. x5
G31 37 mbar

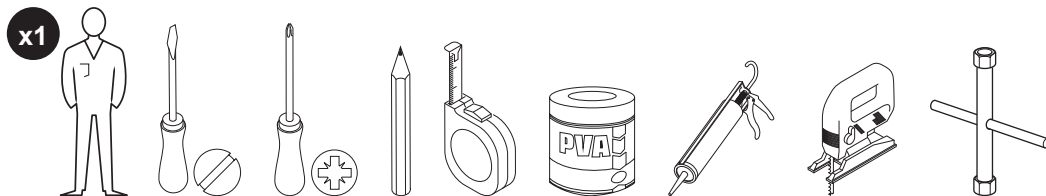


15. x5
G30 37 mbar



16. x5
G2.350 13 mbar

EN You will need **FR** Vous aurez besoin de **PL** Będziesz potrzebować
RO Vei avea nevoie de **ES** Necesitará **PT** Vai precisar de



EN Contents **FR** Table des matières **PL** Spis treści **RO** Cuprins
ES Contenido **PT** Conteúdo

EN	FR	PL	RO	ES	PT
Safety	5 Sécurité	16 Bezpieczeństwo	29 Siguranță	42 Seguridad	53 Segurança
Guarantee	15 Garantie	27 Gwarancja	41 Garanție	52 Garantía	64 Garantia
Installation	78 Installation	78 Instalacja	78 Montare	78 Instalación	78 Instalação
Use	111 Utilisation	116 Użytkowanie	121 Utilizare	126 Uso	131 Utilização
Trouble-shooting	141 Dépannage	141 Rozwiązywanie problemów	141 Depanare	142 Resolución de problemas	142 Resolução de problemas
Care & maintenance	144 Entretien et maintenance	145 Czyszczenie i konserwacja	146 Îngrijire și întreținere	147 Cuidados y mantenimiento	148 Cuidados e manutenção



EN Safety **FR** Sécurité **PL** Bezpieczeństwo
RO Siguranță **ES** Seguridad **PT** Segurança

EN Before you start

- To avoid the risks that are always present when you use a gas appliance it is important that this appliance is installed correctly and that you read the safety instructions carefully to avoid misuse and hazards.
- Please keep this instruction booklet for future reference and pass it on to any future owners. After unpacking the appliance please check that it is not damaged. If in doubt, do not use the appliance but contact Customer Services on 0800 324 7818 (UK) and 1800 932 230 (Eire).
- Check the package and make sure you have all of the parts listed.
- Decide on the appropriate location for your product.
- The specifications plate is available on this appliance. This plate displays all the necessary identification information for ordering replacement parts. If you sell the appliance, give it away leave it behind when you move house, make sure you

also pass on this manual so that the new owner can become familiar with the appliance and its safety warnings.

Safety

These instructions are for your safety. Please read through them thoroughly prior to installation and retain them for future reference.



WARNING: THE CONNECTION OF THE HOB TO THE GAS NETWORK OR GAS CYLINDER MUST BE MADE BY MEANS OF A RIGID COPPER OR STEEL PIPE WITH FITTINGS COMPLYING WITH LOCAL REGULATIONS. THIS OPERATION MUST BE MADE BY A QUALIFIED GAS INSTALLER.



This product complies with conformity requirements of the applicable UK Regulations.

- This appliance complies with all current European safety legislation, however the Manufacturer must emphasise that this compliance does not prevent the surfaces of the appliance from heating up during use and remaining hot during its operation.
- Accessible parts may become hot during use. Young children should be kept away.
- Care should be taken to avoid touching the appliance when it is hot.
- The Manufacturer highly recommends that this appliance be kept out of the reach of babies and small children.
- This appliance can be used by children aged from 8 years and above and persons with reduced physical, sensory or mental capabilities or lack of experience and knowledge if they have been given supervision or instruction concerning use of the appliance in a safe way and understand the hazards involved.
- Children shall not play with the appliance.
- Cleaning and user maintenance shall not be made by children unless they are older than 8 years and supervised.
- Keep the appliance and its cord out of reach of children less than 8 years.
- Means for isolating the appliance must be incorporated in the fixed wiring in accordance with the current wiring regulations. An omnipolar circuit breaker having a contact separation of at least 3 mm in all poles should be connected in the fixed wiring.
- If the supply cord is damaged, it must be replaced by the manufacturer, its service agent or similarly qualified persons in order to avoid a hazard.
- Make sure that the power cord is not caught under or in the appliance and avoid damage to the power cable.
- Do not allow the electric cables to touch the hot parts of the appliance.

- Do not install the appliance outdoors, in any damp place or in an area which may be prone to water leaks such as under or near a sink unit. In the event of a water leak allow the machine to dry naturally.
- Please dispose of the packing material carefully.
- Do not use flammable sprays in close vicinity to the appliance.
- We also recommend that great care be taken during use and cleaning. Read the cleaning and maintenance sections for this appliance carefully.
- A steam cleaner is not to be used.
- The appliance is not intended to be operated by means of external timer or separated remote-control system.
- The appliance is for domestic use only.
- When a cooking zone has been on for a long time, the surface remains hot for some time afterwards so do not touch the metal surface.
- Do not store detergents or flammable materials beneath the hob.
- Do not leave hot oils or fats unattended as they may catch light.

- The Manufacturer declines all liability for personal or material damage as a result of misuse or incorrect installation of this appliance.



WARNING!

UNATTENDED COOKING ON A HOB WITH FAT OR OIL CAN BE DANGEROUS AND MAY RESULT IN FIRE.

- Never try to extinguish a fire with water, but switch off the appliance and then cover the flame with a lid or a fire blanket.



WARNING! RISK OF FIRE! DO NOT STORE ITEMS ON THE COOKING SURFACES.

- Prior to installation, ensure that the local distribution conditions (nature of the gas and gas pressure) and the adjustment of the appliance are compatible.
- The adjustment conditions for this appliance are stated on the label (or data plate).
- This appliance is not connected to a combustion products evacuation device.

- It shall be installed and connected in accordance with current installation regulations. Particular attention shall be given to the relevant requirements regarding ventilation.



CAUTION: THIS APPLIANCE IS FOR COOKING PURPOSES ONLY. IT MUST NOT BE USED FOR OTHER PURPOSES, FOR EXAMPLE ROOM HEATING.

- Don't put cooking vessels on the hotplate that overlap its edges.



CAUTION: THE USE OF A GAS COOKING APPLIANCE RESULTS IN THE PRODUCTION OF HEAT, MOISTURE AND PRODUCTS OF COMBUSTION IN THE ROOM IN WHICH IT IS INSTALLED.

- Ensure that the kitchen is well ventilated especially when the appliance is in use: keep natural ventilation holes open or install a mechanical ventilation device (mechanical extractor hood).
- Always use flat-bottomed cookware during cooking.
- Never use cookware with a diameter larger than the diameter of the cooking zone.
- This appliance shall be installed in accordance with the regulations in force and only used in a well ventilated space.
- Read the instructions before installing or using this appliance.



CAUTION: THE USE OF A HOB GUARD IS NOT PERMITTED WITH THIS APPLIANCE. DO NOT ATTEMPT TO FIT OR USE A HOB GUARD AS THIS CAN CAUSE ACCIDENTS.



CAUTION: THIS HOB HAS A GLASS COOKING SURFACE. IN THE EVENT OF ANY BREAKAGE TO THE GLASS:

- Stop use of the appliance immediately.
- Switch off all gas burners.
- Turn off the gas hob at the mains power supply.
- Do not touch the glass surface.

Gas connection



WARNING: THE CONNECTION OF THE HOB TO THE GAS NETWORK OR GAS CYLINDER MUST BE MADE BY MEANS OF A RIGID COPPER OR STEEL PIPE WITH FITTINGS COMPLYING WITH LOCAL REGULATIONS. THESE FITTINGS ARE NOT SUPPLIED.

THIS OPERATION MUST BE MADE BY A QUALIFIED GAS INSTALLER.

- A connecting elbow is pre-fitted to the hob. This elbow terminates in an external 1/2" BSP connecting thread complying with ISO 228-1:2003. The connection made to the pre-fitted elbow **MUST** be suitable for connecting to this thread. If **ANY** other connection type or thread size is used a suitable adaptor **MUST** be fitted.

- The qualified gas installer must ensure that the operation of the burners has been correctly verified before use.



CAUTION: THE GAS CONNECTION MUST BE INSTALLED IN COMPLIANCE WITH APPLICABLE REGULATIONS IN THE COUNTRY OF INSTALLATION.

Gas supply requirements

- The appliance installation must be carried out in accordance with relevant local regulations.
- The installation must be carried out by an authorised gas appliance installer and tested to local regulations.
- We are not legally able to offer advice on the installation of gas appliances to unauthorised personnel.

Ventilation

- This appliance must not be connected to a combustion products evacuation device. It shall be connected and installed in accordance with local installation regulations paying particular attention to the relevant requirements regarding ventilation.

What to do if you smell gas?



CAUTION:

- Do not try to light any appliance.
- Do not touch any electrical switch.
- Do not use phones in the building.
- Immediately call your gas supplier from a different property.



WARNING: READ THE INSTRUCTIONS BEFORE USING THE APPLIANCE. THIS APPLIANCE MUST BE EARTHED. THIS HOB MUST BE INSTALLED BY A QUALIFIED GAS TECHNICIAN!

Electrical connection

All installation must be carried out by a qualified electrician. Before connecting the mains supply ensure that the mains voltage corresponds to the voltage on the rating plate.

Direct Connection

The appliance must be connected directly to the mains using an omnipolar circuit breaker with a minimum opening of 3 mm between the contacts. The installer must ensure that the correct electrical connection has been made and that it complies with the wiring diagram. The cable must not be bent or compressed. Regularly check the power cord for damage. If the supply cord is damaged, it must be replaced by the manufacturer, its service agent or similarly qualified persons in order to avoid a safety hazard.



WARNING: THIS IS A CLASS I APPLIANCE AND MUST BE EARTHED.

- This appliance is supplied with a 3 core mains cable coloured as follows:

Brown = L or Live

Blue = N or Neutral

Green and Yellow = E or Earth

This appliance should be connected directly to the consumer unit with a 3 Amp Residual Current Device (RCD) protecting its circuit.

To avoid the risks that are always present when you use an electrical appliance it is important that this appliance is installed correctly and that you read the safety instructions carefully to avoid misuse and hazards. Please keep this instruction booklet for future reference and pass it on to any future owners. After unpacking the appliance please check that it is not damaged. If in doubt, do not use the appliance but contact Customer Services.

The manufacturer declines all liability for damage caused to persons and objects due to incorrect or improper installation of the appliance. Any permanent electrical installation must comply with the latest wiring regulations applicable to your country and for your own safety a qualified electrician or contractor must undertake the electrical installation.

Technical Data

Gas on glass 4 burner hob 60cm

Supply voltage:	220-240 V~ 50 Hz
Total heat input (Natural gas):	7.5 kW
Total heat input (LPG):	7.5 kW (545 g/h)
Electric power	5.2W
External dimensions (W x H x D):	590 x 72 x 510 mm
Net Weight:	14.4 kg

Injector Table

Gas Category

UK & IE: I12H3+ (G20 20 mbar, G30 28-30 mbar, G31 37 mbar)

FR: I12E+3+ (G20 20 mbar, G25 25 mbar, G30 28-30 mbar, G31 37 mbar)

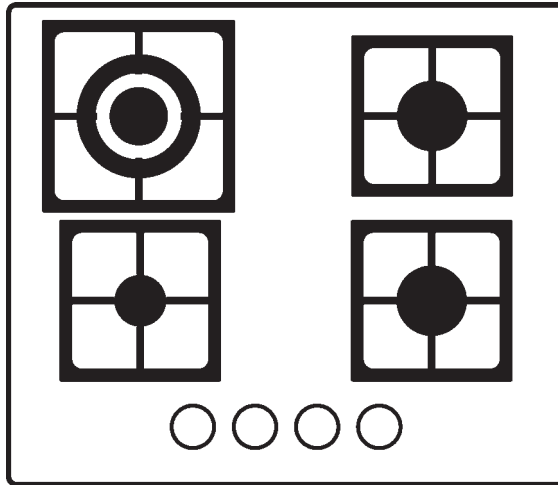
ES & PT: I12H3+ (G20 20 mbar, G30 28-30 mbar, G31 37 mbar)

RO: I12H3B/P (G20 20 mbar, G30 30 mbar, G31 30 mbar)

PL: I12ELs3B/P (G20 20 mbar, G2.350 13 mbar, G30 37 mbar, G31 37 mbar)

Type of gas used	Type of burner	Injector marking	Rated thermal flow rate kW	Rated consumption	Reduced heat capacity kW	Gas pressure pressure rating (mbar)
NATURAL GAS (Methane) G20	Auxiliary	0.74	1	95 lt/h	0.28	20
	Semi-Rapid	0.98	1.75	167 lt/h	0.49	
	Wok	1.24	3	286 lt/h	1.2	
NATURAL GAS (Methane/ Nitrogen) G25	Auxiliary	0.74	1	110 lt/h	0.28	25
	Semi-Rapid	0.98	1.75	194 lt/h	0.49	
	Wok	1.24	3	332 lt/h	1.2	
NATURAL GAS (Methane/ Nitrogen) G2.350	Auxiliary	1.0	1	132 lt/h	0.28	13
	Semi-Rapid	1.30	1.75	232 lt/h	0.49	
	Wok	1.70	3	397 lt/h	1.2	
LIQUIFIED PETROLEUM GAS (Butane/ Propane) G30/ G31	Auxiliary	0.51	1	73 g/h	0.28	28-30/30
	Semi-Rapid	0.69	1.75	127 g/h	0.49	
	Wok	0.88	3	218 g/h	1.2	
LIQUIFIED PETROLEUM GAS (Butane) G30	Auxiliary	0.50	1	73 g/h	0.28	37
	Semi-Rapid	0.63	1.75	127 g/h	0.49	
	Wok	0.84	3	218 g/h	1.2	
LIQUIFIED PETROLEUM GAS (Propane) G31	Auxiliary	0.51	1	71 g/h	0.28	37
	Semi-Rapid	0.69	1.75	125 g/h	0.49	
	Wok	0.88	3	214 g/h	1.2	

Gas on glass 4 burner hob 60cm



Burner	Minimum Pan Diameter (cm)	Maximum Pan Diameter (cm)
Auxiliary	≥ 10	≤ 14
Semi-rapid	≥ 16	≤ 20
Triple Ring	≥ 24	≤ 28

Energy efficiency

Product information according to EU 66/2014

Model Identification		GH60GASLK
Type of hob		Built-in hob
Number of gas burners		4
Energy efficiency per gas burner (EE gas burner)	Auxiliary	Not Applicable
	Triple Ring	59.5%
	Semi-Rapid	64.2% x 2
Energy efficiency for the gas hob (EE gas burner)		62.6%

EN 30-2-1: Domestic cooking appliances burning gas - Part 2-1: Rational use of energy - General

Technical Data

Gas on glass 5 burner hob 70cm

Supply voltage:	220-240 V~ 50 Hz
Total heat input (Natural gas):	10 kW
Total heat input (LPG):	10 kW (728 g/h)
Electric power	6.5W
External dimensions (W x H x D):	700 x 72 x 510 mm
Net Weight:	16.8 kg

Injector Table

Gas Category

UK & IE: I12H3+ (G20 20 mbar, G30 28-30 mbar, G31 37 mbar)

FR: I12E+3+ (G20 20 mbar, G25 25 mbar, G30 28-30 mbar, G31 37 mbar)

ES & PT: I12H3+ (G20 20 mbar, G30 28-30 mbar, G31 37 mbar)

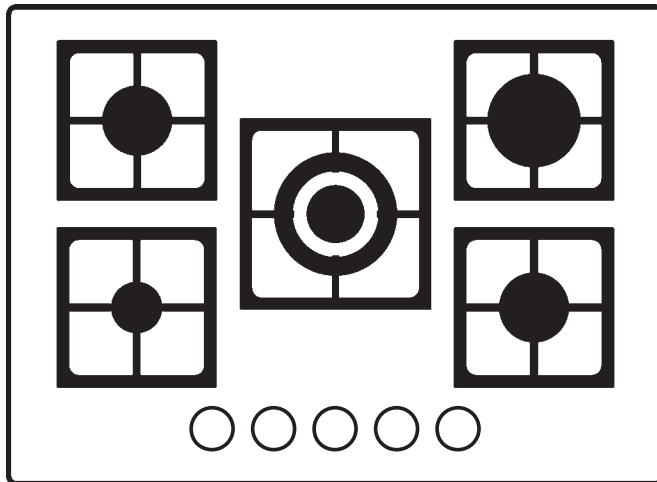
RO: I12H3B/P (G20 20 mbar, G30 30 mbar, G31 30 mbar)

PL: I12ELs3B/P (G20 20 mbar, G2.350 13 mbar, G30 37 mbar, G31 37 mbar)

Type of gas used	Type of burner	Injector marking	Rated thermal flow rate kW	Rated consumption	Reduced heat capacity kW	Gas pressure pressure rating (mbar)
NATURAL GAS (Methane) G20	Auxiliary	0.74	1	95 lt/h	0.28	20
	Semi-Rapid	0.98	1.75	167 lt/h	0.49	
	Rapid	1.14	2.5	238 lt/h	0.75	
	Wok	1.24	3	286 lt/h	1.2	
NATURAL GAS (Methane/ Nitrogen) G25	Auxiliary	0.74	1	110 lt/h	0.28	25
	Semi-Rapid	0.98	1.75	194 lt/h	0.49	
	Rapid	1.14	2.5	277 lt/h	0.75	
	Wok	1.24	3	332 lt/h	1.2	
NATURAL GAS (Methane/ Nitrogen) G2.350	Auxiliary	1.0	1	132 lt/h	0.28	13
	Semi-Rapid	1.30	1.75	232 lt/h	0.49	
	Rapid	1.54	2.5	331 lt/h	0.75	
	Wok	1.70	3	397 lt/h	1.2	

Type of gas used	Type of burner	Injector marking	Rated thermal flow rate kW	Rated consumption	Reduced heat capacity kW	Gas pressure pressure rating (mbar)
LIQUIFIED PETROLEUM GAS (Butane/Propane) G30/ G31	Auxiliary	0.51	1	73 g/h	0.28	28-30/30
	Semi-Rapid	0.69	1.75	127 g/h	0.49	
	Rapid	0.81	2.5	182 g/h	0.75	
	Wok	0.88	3	218 g/h	1.2	
LIQUIFIED PETROLEUM GAS (Butane) G30	Auxiliary	0.50	1	73 g/h	0.28	37
	Semi-Rapid	0.63	1.75	127 g/h	0.49	
	Rapid	0.76	2.5	182 g/h	0.75	
	Wok	0.84	3	218 g/h	1.2	
LIQUIFIED PETROLEUM GAS (Propane) G31	Auxiliary	0.51	1	71 g/h	0.28	37
	Semi-Rapid	0.69	1.75	125 g/h	0.49	
	Rapid	0.81	2.5	238 g/h	0.75	
	Wok	0.88	3	214 g/h	1.2	

Gas on glass 5 burner hob 70cm



Burner	Minimum Pan Diameter (cm)	Maximum Pan Diameter (cm)
Auxiliary	> 10	< 14
Semi-rapid	> 16	< 20
Rapid	> 20	< 24
Triple Ring	> 24	< 28

Energy efficiency

Product information according to EU 66/2014

Model Identification		GH70GASLK
Type of hob		Built-in hob
Number of gas burners		5
Energy efficiency per gas burner (EE gas burner)	Auxiliary	Not Applicable
	Triple Ring	59.3%
	Rapid	62.5%
	Semi-Rapid	64.2%x2
Energy efficiency for the gas hob (EE gas burner)		62.5%

EN 30-2-1: Domestic cooking appliances burning gas - Part 2-1: Rational use of energy - General

Recycling & disposal



Waste electrical products (WEEE) should not be disposed of with household waste.

Please recycle where facilities exist. Check with your local governmental authority, domestic waste disposal services or the retailer where the product was bought for recycling advice.

The wheeled bin symbol on the product or its packaging indicates that this product cannot be treated as normal household waste. This product must be handed over to an electric and electronic equipment collection point for recycling. On ensuring that this product is disposed of correctly, you will help to avoid possible negative consequences for the environment and public health, which could occur if this product is not handled correctly.

Guarantee

We take special care to select high quality materials and use manufacturing techniques that allow us to create products incorporating design and durability. This gas hob has a manufacturer's guarantee of 2 years against manufacturing defects, from the date of purchase (if bought in store) or date of delivery (if bought online), at no additional cost for normal (non-professional or commercial) household use.

To make a claim under this guarantee, you must present your proof of purchase (such as a sales receipt, purchase invoice or other evidence admissible under applicable law), please keep your proof of purchase in a safe place. For this guarantee to apply, the product you purchased must be new, it will not apply to second hand or display products. Unless stated otherwise by applicable law, any replacement product issued under this guarantee will only be guaranteed until expiry of the original period guarantee period.

This guarantee covers product failures and malfunctions provided the product was used for the purpose for which it is intended and subject to installation, cleaning, care and maintenance in accordance with the information contained in these terms and conditions, in the user manual and standard practice, provided that standard practice does not conflict with the user manual.

This guarantee does not cover defects and damage caused by normal wear and tear or damage that could be the result of improper use, faulty installation or assembly, neglect, accident, misuse, or modification of the product. Unless stated otherwise by applicable law, this guarantee will not cover, in any case, ancillary costs (shipping, movement, costs of uninstalling and reinstalling, labour etc), or direct and indirect damage.

If the product is defective, we will, within a reasonable time, repair.

Rights under this guarantee are enforceable in the country in which you purchased this product. Guarantee related queries should be addressed to the store you purchased this product from.

The guarantee is in addition to and does not affect your statutory rights.

IMPORTANT - RETAIN THIS INFORMATION FOR FUTURE REFERENCE: READ CAREFULLY

FR

Avant de commencer

- Pour limiter les risques lors de l'utilisation d'un appareil à gaz, il est important d'installer celui-ci correctement et de lire attentivement les consignes de sécurité. Cela permet d'éviter une mauvaise utilisation et tout danger.
- Veiller à conserver cette notice pour toute référence ultérieure et à la transmettre aux prochains propriétaires. Après avoir déballé l'appareil,

vérifier qu'il n'est pas endommagé. En cas de doute, ne pas utiliser l'appareil et contacter le service client au 0805 114 951.

- Contrôler l'emballage et s'assurer de disposer de toutes les pièces répertoriées.
- Choisir l'emplacement approprié pour le produit.
- La plaque signalétique est disponible sur cet appareil électroménager. Cette plaque affiche toutes les informations d'identification nécessaires pour commander des pièces de rechange. En cas de vente ou de don de l'appareil, ou encore s'il est laissé sur place lors d'un déménagement, s'assurer de remettre cette notice au nouveau propriétaire afin qu'il puisse se familiariser avec l'appareil et les avertissements de sécurité.

Sécurité

These instructions are for your safety. Please read through them thoroughly prior to installation and retain them for future reference.



AVERTISSEMENT:
LE RACCORDEMENT
DE LA PLAQUE DE
CUISSON AU GAZ
SUR LE RÉSEAU
DE GAZ OU SUR
UNE BOUTEILLE
DE GAZ DOIT ÊTRE
RÉALISÉ À L'AIDE
D'UN TUYAU RIGIDE
EN CUIVRE OU EN
ACIER ET DOTÉ
DE RACCORDS
CONFORMES AUX
RÉGLEMENTATIONS
LOCALES.

**CETTE OPÉRATION
DOIT ÊTRE
RÉALISÉE PAR UN
INSTALLATEUR
D'APPAREILS À GAZ
QUALIFIÉ.**

- Cet appareil est conforme à toutes les législations européennes en vigueur en matière de sécurité. Toutefois, le fabricant doit souligner que cette conformité n'empêche pas les surfaces de l'appareil de chauffer durant l'utilisation et de rester chaudes lors de son fonctionnement.
- Les parties accessibles peuvent devenir chaudes lors de l'utilisation. Les jeunes enfants doivent se tenir à l'écart de l'appareil.
- Éviter tout contact avec l'appareil lorsqu'il est chaud.
- Le fabricant recommande vivement que cet appareil soit tenu hors de portée des enfants en bas âge.
- Cet appareil peut être utilisé par des enfants âgés de 8 ans et plus et par des personnes ayant des capacités physiques, sensorielles ou mentales réduites, ou présentant un manque d'expérience et de connaissances, à condition qu'ils soient correctement surveillés ou qu'ils aient reçu des instructions concernant l'utilisation de l'appareil en toute sécurité et qu'ils comprennent les risques encourus.
- Les enfants ne doivent pas jouer avec l'appareil.
- Le nettoyage et la maintenance ne doivent pas être effectués par des enfants âgés de moins de 8 ans sans surveillance.
- Tenir l'appareil et son câble hors de portée des enfants de moins de 8 ans.

- Des dispositifs d'isolation de l'appareil doivent être incorporés dans le câblage fixe conformément à la réglementation en vigueur relative au câblage. Il convient de connecter un disjoncteur omnipolaire comportant un écart de séparation d'au moins 3 mm pour tous les pôles.
- Si le cordon d'alimentation est endommagé, il doit être remplacé par le fabricant, son prestataire de service ou une personne qualifiée afin d'éviter tout danger.
- S'assurer que le câble d'alimentation n'est pas coincé sous l'appareil ou dans celui-ci et éviter d'endommager ce câble.
- Les câbles électriques ne doivent pas être en contact avec les parties chaudes de l'appareil.
- Ne pas installer l'appareil à l'extérieur, dans un endroit humide ou dans une zone pouvant présenter des fuites d'eau (par exemple, sous ou près d'un évier). En cas de fuite d'eau, laisser l'appareil sécher naturellement.
- Jeter l'emballage avec soin.
- Ne pas utiliser d'aérosols à proximité de l'appareil.
- Nous recommandons également de procéder avec prudence lors de l'utilisation et du nettoyage de l'appareil. Lire attentivement les sections relatives au nettoyage et à l'entretien de cet appareil.
- Ne pas utiliser de nettoyeur vapeur.
- Cet appareil n'est pas prévu pour être activé au moyen d'une minuterie externe ou d'un système autonome de contrôle à distance.
- Cet appareil est destiné à un usage domestique uniquement.
- Lorsqu'une zone de cuisson est restée allumée pendant longtemps, la surface est chaude pendant un certain temps. Pour cette raison, ne pas toucher la surface métallique.
- Ne pas ranger de détergents ou de produits inflammables sous la plaque de cuisson.
- Ne pas laisser de graisses ou d'huiles chaudes sans surveillance, car elles peuvent prendre feu.
- Le fabricant décline toute responsabilité en cas de dommages corporels ou matériels causés par une mauvaise utilisation ou installation de cet appareil.



AVERTISSEMENT !
UNE CUISSON À
BASE DE GRAISSE
OU D'HUILE SANS
SURVEILLANCE
PEUT ÊTRE
DANGEREUSE ET
PEUT PROVOQUER
UN INCENDIE.

- Ne jamais essayer d'éteindre un incendie avec de l'eau ; éteindre l'appareil et couvrir les flammes avec un couvercle ou une couverture anti feu.



AVERTISSEMENT !
RISQUE D'INCENDIE !
NE PAS RANGER
D'OBJETS SUR
LES SURFACES DE
CUISSON.

- Avant l'installation, s'assurer que les conditions locales de distribution (nature du gaz et pression du gaz) et le réglage de l'appareil sont compatibles.
- Les conditions de réglage de cet appareil sont indiquées sur l'étiquette (ou sur la plaque signalétique).
- Cet appareil n'est pas raccordé à un dispositif d'évacuation des produits de combustion.

- Il doit être installé et raccordé conformément à la réglementation en vigueur en matière d'installation. Une attention particulière doit être portée aux exigences applicables relatives à la ventilation.



ATTENTION : CET
APPAREIL EST
UTILISÉ À DES
FINS DE CUISSON
UNIQUEMENT. IL
NE DOIT PAS ÊTRE
UTILISÉ À D'AUTRES
FINS QUE CELLES
PRÉVUES, PAR
EXEMPLE POUR
CHAUFFER UNE
PIÈCE.

- Ne pas poser de récipients de cuisson plus larges que la plaque de cuisson.



ATTENTION :
L'UTILISATION
D'UN APPAREIL
DE CUISSON À
GAZ ENTRAÎNE
UNE PRODUCTION
DE CHALEUR,
D'HUMIDITÉ ET
DE PRODUITS DE
COMBUSTION DANS

LA PIÈCE DANS LAQUELLE IL EST INSTALLÉ.

- Veiller à ce que la cuisine soit bien ventilée, surtout lorsque l'appareil est en cours d'utilisation : garder les bouches de ventilation naturelle ouvertes ou installer un appareil de ventilation mécanique (hotte mécanique).
- Toujours utiliser une batterie de cuisine à fond plat lors de la cuisson.
- Ne jamais utiliser de batterie de cuisine présentant un diamètre supérieur à celui de la zone de cuisson.
- Cet appareil doit être installé conformément à la réglementation en vigueur et ne doit être utilisé que dans un endroit bien ventilé.
- Lire les instructions avant d'installer ou d'utiliser cet appareil.



ATTENTION :
L'UTILISATION
D'UNE PROTECTION
POUR PLAQUES DE
CUISSON N'EST PAS
AUTORISÉE AVEC
CET APPAREIL.
NE PAS TENTER
D'INSTALLER OU

D'UTILISER UNE
PROTECTION, CAR
ELLE POURRAIT
CAUSER DES
ACCIDENTS.



ATTENTION :
CETTE PLAQUE DE
CUISSON EST DOTÉE
D'UNE SURFACE DE
CUISSON EN VERRE.
EN CAS DE CASSE
DE LA SURFACE EN
VERRE :

- Arrêter immédiatement d'utiliser l'appareil.
- Éteindre tous les brûleurs.
- Mettre la plaque de cuisson au gaz hors tension au niveau de l'alimentation.
- Ne pas toucher la surface en verre.

Raccordement au gaz



AVERTISSEMENT: LE RACCORDEMENT DE LA PLAQUE DE CUISSON AU GAZ SUR LE RÉSEAU DE GAZ OU SUR UNE BOUTEILLE DE GAZ DOIT ÊTRE RÉALISÉ À L'AIDE D'UN TUYAU RIGIDE EN CUIVRE OU EN ACIER ET DOTÉ DE RACCORDS CONFORMES AUX RÉGLEMENTATIONS LOCALES.

CETTE OPÉRATION DOIT ÊTRE RÉALISÉE PAR UN INSTALLATEUR D'APPAREILS À GAZ QUALIFIÉ.

- Un coude de raccordement est pré-monté sur la plaque de cuisson. Il se termine par un filetage de raccord BSP 1/2" externe conforme à la norme ISO 228-1:2003. Le raccordement au coude préinstallé DOIT être compatible pour un raccordement à ce filetage. Si TOUT AUTRE type de raccordement ou si une autre taille de filetage est utilisé(e), un adaptateur approprié DOIT être installé.
- L'installateur d'appareils à gaz qualifié doit s'assurer que le fonctionnement des brûleurs a été correctement vérifié avant utilisation.



ATTENTION : LE RACCORDEMENT AU GAZ DOIT ÊTRE EFFECTUÉ CONFORMÉMENT AUX RÉGLEMENTATIONS APPLICABLES DANS LE PAYS OÙ EST EFFECTUÉE L'INSTALLATION.

Exigences relatives à l'approvisionnement en gaz

- L'installation de l'appareil doit être effectuée conformément à la réglementation locale.
- L'installation doit être effectuée par un installateur d'appareils à gaz agréé et testée conformément à la réglementation locale.
- Nous ne sommes pas légalement en mesure d'offrir des conseils sur l'installation des appareils à gaz à un personnel non agréé.

Ventilation

- Cet appareil ne doit pas être raccordé à un dispositif d'évacuation des produits de combustion. Il doit être raccordé et installé conformément aux réglementations d'installation locales, en accordant une attention particulière aux exigences applicables relatives à la ventilation.

Que faire en présence d'une odeur de gaz ?



ATTENTION :

- Ne pas essayer d'allumer quelque appareil que ce soit.
- Ne toucher aucun interrupteur électrique.
- Ne pas utiliser de téléphone dans le bâtiment.
- Appeler immédiatement le fournisseur de gaz à partir d'une autre habitation.



AVERTISSEMENT : LIRE LES INSTRUCTIONS AVANT D'UTILISER L'APPAREIL. CET APPAREIL DOIT ÊTRE RELIÉ À LA TERRE. CETTE PLAQUE DE CUISSON DOIT ÊTRE INSTALLÉE PAR UN TECHNICIEN D'APPAREILS À GAZ QUALIFIÉ.

Raccordement électrique

Toute l'installation doit être effectuée par un électricien qualifié. Avant de brancher le câble d'alimentation, s'assurer que la tension du secteur correspond à la tension indiquée sur la plaque signalétique.

Raccordement direct

L'appareil doit être raccordé directement au secteur à l'aide d'un disjoncteur omnipolaire avec une ouverture minimale de 3mm entre les contacts. L'installateur doit s'assurer que le raccordement électrique effectué est correct et qu'il respecte le schéma de câblage. Le câble ne doit pas être plié ou comprimé. Vérifier régulièrement que le cordon d'alimentation n'est pas endommagé. Si le cordon d'alimentation est endommagé, il doit être remplacé par le fabricant, son prestataire de service ou par une personne qualifiée afin d'éviter tout danger.



AVERTISSEMENT : IL S'AGIT D'UN APPAREIL DE CLASSE I. IL DOIT ÊTRE RACCORDÉ À LA TERRE.

- Cet appareil est livré avec un câble d'alimentation à 3 conducteurs présentant le code couleur suivant :

Marron = L ou Phase

Bleu = N ou Neutre

Vert et jaune = E ou Terre

Cet appareil doit être raccordé directement au tableau électrique par l'intermédiaire d'un dispositif différentiel à courant résiduel (DDR) de 3A protégeant son circuit.

Afin d'éviter tout risque lors de l'utilisation d'un appareil électrique, il est important que celui-ci soit correctement installé et que les instructions de sécurité soient lues attentivement afin d'éviter une mauvaise utilisation et tout danger. Veiller à conserver cette notice pour toute référence ultérieure et à la transmettre aux prochains propriétaires. Après avoir déballé l'appareil, vérifier qu'il n'est pas endommagé. En cas de doute, ne pas utiliser l'appareil et contacter le service client.

Le fabricant décline toute responsabilité en cas de dommages corporels ou matériels causés par une mauvaise utilisation ou installation incorrecte de l'appareil. Toute installation électrique permanente doit être conforme aux dernières réglementations en matière d'installations électriques applicables dans votre pays et, pour votre propre sécurité, il est impératif qu'un électricien qualifié ou un entrepreneur effectue cette installation.

Données techniques

Plaque de cuisson au gaz avec surface en verre, 4 brûleurs, 60cm

Tension d'alimentation :	220-240 V~ 50 Hz
Apport de chaleur total (gaz naturel) :	7,5 kW
Apport de chaleur total (GPL) :	7,5kW (545g/h)
Alimentation électrique	5,2W
Dimensions externes (L x H x P) :	590 x 72 x 510 mm
Poids net :	14,4kg

Tableau des injecteurs

Catégorie de gaz

UK et IE : I12H3+ (G20 20mbar, G30 28-30mbar, G31 37mbar)

FR : I12E+3+ (G20 20mbar, G25 25mbar, G30 28-30mbar, G31 37mbar)

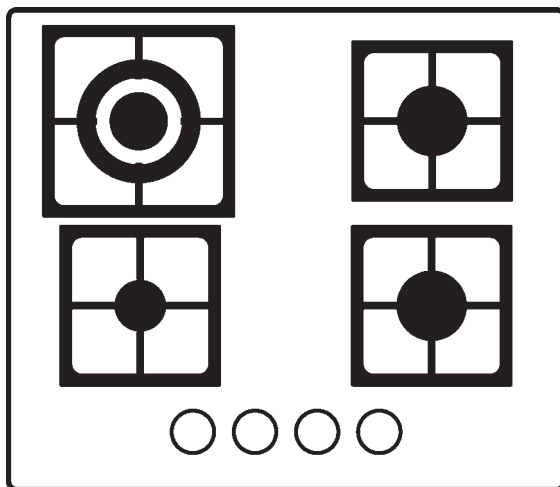
ES et PT : I12H3+ (G20 20mbar, G30 28-30mbar, G31 37mbar)

RO : I12H3B/P (G20 20mbar, G30 30mbar, G31 30mbar)

PL : I12ELs3B/P (G20 20mbar, G2.350 13mbar, G30 37mbar, G31 37mbar)

Type de gaz utilisé	Type de brûleur	Repère marqué sur l'injecteur	Débit calorifique nominal kW	Consommation nominale	Capacité thermique réduite kW	Pression de gaz nominale (mbar)
GAZ NATUREL (Méthane) G20	Auxiliaire	0,74	1	95l/h	0,28	20
	Semi-rapide	0,98	1,75	167l/h	0,49	
	Wok	1,24	3	286l/h	1,2	
GAZ NATUREL (Méthane/azote) G25	Auxiliaire	0,74	1	110l/h	0,28	25
	Semi-rapide	0,98	1,75	194l/h	0,49	
	Wok	1,24	3	332l/h	1,2	
GAZ NATUREL (Méthane/azote) G2,350	Auxiliaire	1,0	1	132l/h	0,28	13
	Semi-rapide	1,30	1,75	232l/h	0,49	
	Wok	1,70	3	397l/h	1,2	
GAZ DE PÉTROLE LIQUÉFIÉ (Butane/propane) G30/G31	Auxiliaire	0,51	1	73g/h	0,28	28-30/30
	Semi-rapide	0,69	1,75	127g/h	0,49	
	Wok	0,88	3	218g/h	1,2	
GAZ DE PÉTROLE LIQUÉFIÉ (Butane) G30	Auxiliaire	0,50	1	73g/h	0,28	37
	Semi-rapide	0,63	1,75	127g/h	0,49	
	Wok	0,84	3	218g/h	1,2	
GAZ DE PÉTROLE LIQUÉFIÉ (Propane) G31	Auxiliaire	0,51	1	71 g/h	0,28	37
	Semi-rapide	0,69	1,75	125 g/h	0,49	
	Wok	0,88	3	214 g/h	1,2	

Plaque de cuisson au gaz avec surface en verre, 4 brûleurs, 60cm



Brûleur	Diamètre de récipient minimal (cm)	Diamètre de récipient maximal (cm)
Auxiliaire	≥ 10	≤ 14
Semi-rapide	≥ 16	≤ 20
Triple couronne	≥ 24	≤ 28

Rendement énergétique

Informations sur le produit selon le règlement UE 66/2014

Identification de modèle		GH60GASLK
Type de plaque de cuisson		Plaque de cuisson encastrable
Nombre de brûleurs à gaz		4
Rendement énergétique par brûleur à gaz (brûleur à gaz EE)	Auxiliaire	Non applicable
	Triple couronne	59,5%
	Semi-rapide	64,2%x2
Rendement énergétique de la plaque de cuisson au gaz (brûleur à gaz EE)		62.6%

EN 30-2-1 : Appareils de cuisson domestiques utilisant des combustibles gazeux - Partie 2-1 : Utilisation rationnelle de l'énergie - Généralités

Données techniques

Plaque de cuisson au gaz avec surface en verre, 5 brûleurs, 70cm

Tension d'alimentation :	220-240 V~ 50 Hz
Apport de chaleur total (gaz naturel) :	10 kW
Apport de chaleur total (GPL) :	10 kW (728 g/h)
Alimentation électrique	6.5W
Dimensions externes (L x H x P) :	700 x 72 x 510 mm
Poids net :	16.8 kg

Tableau des injecteurs

Catégorie de gaz

UK et IE : II2H3+ (G20 20mbar, G30 28-30mbar, G31 37mbar)

FR : II2E+3+ (G20 20mbar, G25 25mbar, G30 28-30mbar, G31 37mbar)

ES et PT : II2H3+ (G20 20mbar, G30 28-30mbar, G31 37mbar)

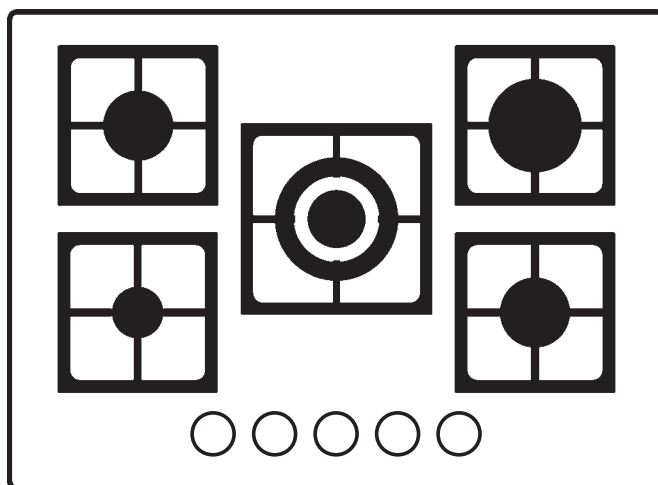
RO : II2H3B/P (G20 20mbar, G30 30mbar, G31 30mbar)

PL : II2ELs3B/P (G20 20mbar, G2.350 13mbar, G30 37mbar, G31 37mbar)

Type de gaz utilisé	Type de brûleur	Repère marqué sur l'injecteur	Débit calorifique nominal kW	Consommation nominale	Capacité thermique réduite kW	Pression de gaz nominale (mbar)
GAZ NATUREL (Méthane) G20	Auxiliaire	0,74	1	95l/h	0,28	20
	Semi-rapide	0,98	1,75	167l/h	0,49	
	Rapide	1,14	2,5	238l/h	0,75	
	Wok	1,24	3	286l/h	1,2	
GAZ NATUREL (Méthane/azote) G25	Auxiliaire	0,74	1	110l/h	0,28	25
	Semi-rapide	0,98	1,75	194l/h	0,49	
	Rapide	1,14	2,5	277l/h	0,75	
	Wok	1,24	3	332l/h	1,2	
GAZ NATUREL (Méthane/azote) G2,350	Auxiliaire	1,0	1	132l/h	0,28	13
	Semi-rapide	1,30	1,75	232l/h	0,49	
	Rapide	1,54	2,5	331l/h	0,75	
	Wok	1,70	3	397l/h	1,2	

Type de gaz utilisé	Type de brûleur	Repère marqué sur l'injecteur	Débit calorifique nominal kW	Consommation nominale	Capacité thermique réduite kW	Pression de gaz nominale (mbar)
GAZ DE PÉTROLE LIQUÉFIÉ (Butane/propane) G30/G31	Auxiliaire	0,51	1	73g/h	0,28	28-30/30
	Semi-rapide	0,69	1,75	127g/h	0,49	
	Rapide	0,81	2,5	182g/h	0,75	
	Wok	0,88	3	218g/h	1,2	
GAZ DE PÉTROLE LIQUÉFIÉ (Butane) G30	Auxiliaire	0,50	1	73g/h	0,28	37
	Semi-rapide	0,63	1,75	127g/h	0,49	
	Rapide	0,76	2,5	182g/h	0,75	
	Wok	0,84	3	218g/h	1,2	
GAZ DE PÉTROLE LIQUÉFIÉ (Propane) G31	Auxiliaire	0,51	1	71g/h	0,28	37
	Semi-rapide	0,69	1,75	125g/h	0,49	
	Rapide	0,81	2,5	238g/h	0,75	
	Wok	0,88	3	214g/h	1,2	

Plaque de cuisson au gaz avec surface en verre, 5 brûleurs, 70cm



Brûleur	Diamètre de récipient minimal (cm)	Diamètre de récipient maximal (cm)
Auxiliaire	> 10	< 14
Semi-rapide	> 16	< 20
Rapide	> 20	< 24
Triple couronne	> 24	< 28

Rendement énergétique

Informations sur le produit selon le règlement UE 66/2014

Identification de modèle		GH70GASLK
Type de plaque de cuisson		Plaque de cuisson encastrable
Nombre de brûleurs à gaz		5
Rendement énergétique par brûleur à gaz (brûleur à gaz EE)	Auxiliaire	Non applicable
	Triple couronne	59.3%
	Rapide	62.5%
	Semi-rapide	64.2%x2
Rendement énergétique de la plaque de cuisson au gaz (brûleur à gaz EE)		62.5%

EN 30-2-1 : Appareils de cuisson domestiques utilisant des combustibles gazeux - Partie 2-1 : Utilisation rationnelle de l'énergie - Généralités

Recyclage et mise au rebut



Les produits électriques usagés (DEEE) ne doivent pas être jetés avec les ordures ménagères.

Pour le recyclage, l'appareil doit être déposé dans un centre de collecte prévu à cet effet. Pour obtenir des conseils sur le recyclage, consulter les autorités locales, les services d'enlèvement des ordures ménagères ou le distributeur chez qui le produit a été acheté.

Le symbole de la poubelle barrée sur le produit ou son emballage indique que ce produit ne peut pas être traité comme un déchet ménager normal. Ce produit doit être remis à un point de collecte d'équipements électriques et électroniques pour être recyclé. En vous assurant que ce produit est éliminé correctement, vous contribuerez à éviter des conséquences potentiellement néfastes sur l'environnement et la santé publique suite à une mauvaise manipulation du produit.

Garantie

Nous veillons tout particulièrement à sélectionner des matériaux de haute qualité et à utiliser des techniques de fabrication qui nous permettent de créer des produits à la fois design et durables. Cette plaque de cuisson au gaz bénéficie d'une garantie fabricant de 2 ans couvrant les défauts de fabrication à compter de la date d'achat (en cas d'achat en magasin) ou de la date de livraison (en cas d'achat sur Internet), sans coût supplémentaire pour une utilisation domestique normale (non commerciale ni professionnelle).

Pour déposer une réclamation au titre de cette garantie, vous devez présenter votre preuve d'achat (ticket de caisse, facture d'achat ou toute autre preuve recevable en vertu de la loi en vigueur). Conservez votre preuve d'achat dans un endroit sûr. Pour que cette garantie soit applicable, le produit que vous avez acheté doit être neuf. La garantie ne s'applique pas aux produits d'occasion ou aux modèles d'exposition. Sauf

indication contraire prévue par la loi en vigueur, tout produit de remplacement fourni au titre de la présente garantie ne sera garanti que jusqu'à expiration de la période de garantie initiale.

Cette garantie couvre les défaillances et dysfonctionnements du produit, sous réserve que le produit ait été utilisé conformément à l'usage pour lequel il a été conçu, qu'il ait été installé, nettoyé et entretenu conformément aux informations contenues dans les présentes conditions générales ainsi que dans le manuel d'utilisation, et conformément à la pratique, sous réserve que celles-ci n'aillent pas à l'encontre du manuel d'utilisation.

Cette garantie ne couvre pas les défauts et dommages causés par l'usure normale ni les dommages pouvant résulter d'une utilisation non conforme, d'une installation ou d'un assemblage défectueux, ou d'une négligence, d'un accident, d'une mauvaise utilisation ou d'une modification du produit. Sauf indication contraire prévue par la loi en vigueur, cette garantie ne couvre en aucun cas les coûts accessoires (expédition, transport, frais de désinstallation et réinstallation, main d'œuvre, etc.), ni les dommages directs et indirects.

Si le produit est défectueux, nous nous engageons, dans un délai raisonnable, à réparer.

Cette garantie est valable dans le pays où vous avez acheté ce produit. Toute demande au titre de la garantie doit être adressée au magasin où vous avez acheté ce produit.

Cette garantie s'ajoute à vos droits au titre de la loi, sans les affecter.

Si vous avez acheté ce produit en France, en plus de cette garantie commerciale, le vendeur reste tenu de respecter la garantie légale de conformité prévue par les articles L217-4 à L217-14 du Code de la consommation et aux articles qui concernent les vices cachés de la chose vendue dans les conditions prévues aux articles 1641 à 1648 et 2232 du Code civil. Le distributeur auprès duquel vous avez acheté ce produit répond de tout défaut de conformité ou vice caché du produit, conformément aux présentes dispositions.

En vertu de l'article L217-16 du Code de la consommation, lorsque l'acheteur demande au vendeur, pendant la durée de la garantie commerciale qui lui a été consentie lors de l'acquisition ou de la réparation d'un bien meuble, une remise en état couverte par la garantie, toute période d'immobilisation d'au moins sept jours vient s'ajouter à la durée de la garantie qui reste à courir. Cette période court à compter de

la demande d'intervention de l'acheteur ou de la mise à disposition pour réparation du bien en cause, si cette mise à disposition est postérieure à la demande d'intervention. Garantie légale de conformité (extrait du Code de la consommation) : Article L217-4 du Code de la consommation - Le vendeur doit livrer un bien conforme au contrat et répond des défauts de conformité existant lors de la livraison. Il répond également des défauts de conformité résultant de l'emballage, des instructions de montage ou de l'installation lorsque celle-ci a été mise à sa charge par le contrat ou a été réalisée sous sa responsabilité. Article L217-5 du Code de la consommation - Le bien est conforme au contrat : 1. S'il est adapté à l'objectif généralement prévu pour des biens similaires et, le cas échéant : s'il correspond à la description donnée par le vendeur et possède les qualités présentées par le vendeur à l'acheteur sous forme d'échantillon ou de modèle ; s'il présente des qualités que l'acheteur peut légitimement attendre au regard des déclarations publiques faites par le vendeur, par le fabricant ou par son représentant, notamment dans la publicité ou l'étiquetage ; 2. Ou s'il présente les caractéristiques définies d'un commun accord par les parties ou est propre à tout usage spécial recherché par l'acheteur, porté à la connaissance du vendeur et que ce dernier a accepté. Article L217-12 du Code de la consommation - Toute réclamation suite à un défaut de conformité est limitée à deux ans à compter de la livraison du bien. Garantie légale sur les vices cachés (extrait du Code de la consommation) : Article 1641 du Code civil - Le vendeur est tenu de la garantie en cas de défauts cachés de la chose vendue qui la rendent impropre à l'usage auquel on la destine, ou qui diminuent tellement cet usage que l'acheteur ne l'aurait pas acquise, ou n'en aurait donné qu'un moindre prix, s'il les avait connus. Article 1648 du Code civil (alinéa 1) - Toute réclamation résultant de vices cachés doit être faite par l'acheteur dans un délai de deux ans à compter de la découverte du vice.

**IMPORTANT –
A CONSERVER
POUR DE FUTURS
BESOINS DE
REFERENCE : A LIRE
SOIGNEUSEMENT.**

PL

Przed rozpoczęciem użytkowania

- Aby ograniczyć do minimum ryzyko związane z użytkowaniem urządzenia gazowego, niezwykle ważne jest, aby produkt został prawidłowo zamontowany oraz aby użytkownik dokładnie zapoznał się z instrukcjami dotyczącymi bezpieczeństwa i unikał nieprawidłowej obsługi oraz związanych z tym zagrożeń.
- Należy zachować instrukcję obsługi w celu wykorzystania w przyszłości i przekazania jej kolejnym właścicielom. Po rozpakowaniu urządzenia upewnić się, że nie jest ono uszkodzone. W razie wątpliwości należy skontaktować się z działem obsługi klienta, dzwoniąc pod numer 800 121 2222.
- Sprawdzić zawartość opakowania i upewnić się, że wszystkie elementy zostały dostarczone zgodnie z listą.
- Wybrać odpowiednie miejsce montażu produktu.
- Na urządzeniu znajduje się tabliczka znamionowa. Tabliczka ta zawiera wszystkie informacje identyfikacyjne

potrzebne do zamówienia części zamiennych. W przypadku sprzedaży urządzenia, przekazania go innej osobie lub pozostawienia w domu przy wyprawdzie należy przekazać niniejszą instrukcję obsługi nowemu właścicielowi, aby umożliwić mu zaznajomienie się z urządzeniem i ostrzeżeniami dotyczącymi bezpieczeństwa.

Bezpieczeństwo

Niniejsza instrukcja została opracowana w celu zapewnienia bezpieczeństwa użytkownikowi. Należy ją dokładnie przeczytać przed montażem i zachować do wykorzystania w przyszłości.



WARNING:

OSTRZEŻENIE:

**PŁYTĘ GRZEWCZĄ
NALEŻY PODŁĄCZYĆ
DO SIECI GAZOWEJ
LUB BUTLI GAZOWEJ
ZA POMOCĄ
RURKI MIEDZIANEJ
LUB STALOWEJ,
UŻYWAJĄC
MOCOWAŃ
ZGODNYCH Z
LOKALNYMI
PRZEPISAMI.**

CZYNNOŚĆ TĘ POWINIEN WYKONAĆ WYKWALIFIKOWANY INSTALATOR URZĄDZEŃ GAZOWYCH.

- Urządzenie zostało zaprojektowane zgodnie ze wszystkimi obowiązującymi europejskimi przepisami dotyczącymi bezpieczeństwa. Należy jednak pamiętać, że nie wyklucza to nagrzewania się powierzchni urządzenia do wysokiej temperatury podczas jego pracy.
- Dostępne części mogą się nagrzewać podczas pracy. Małe dzieci nie powinny znajdować się w pobliżu.
- Należy zachować ostrożność, aby nie dotknąć gorącego urządzenia.
- Zdecydowanie zaleca się, aby urządzenie znajdowało się poza zasięgiem niemowląt i małych dzieci.
- Urządzenie mogą obsługiwać dzieci w wieku co najmniej 8 lat i osoby o ograniczonej sprawności fizycznej, sensorycznej lub umysłowej, a także osoby nieposiadające wystarczającego doświadczenia bądź wystarczającej wiedzy, pod warunkiem że będą nadzorowane lub że zostały poinstruowane o zasadach użytkowania urządzenia w bezpieczny sposób oraz są świadome związanych z tym zagrożeń.
- Dzieci nie powinny bawić się urządzeniem.
- Prace związane z czyszczeniem i konserwacją mogą wykonywać wyłącznie dzieci mające więcej niż 8 lat i będące pod odpowiednim nadzorem.
- Urządzenie i przewód zasilania należy przechowywać w miejscu niedostępnym dla dzieci w wieku poniżej 8 lat.
- “Element umożliwiający całkowite odłączenie urządzenia musi być wbudowany w stałą instalację elektryczną zgodnie z obowiązującymi przepisami dotyczącymi instalacji elektrycznych. Urządzenie należy bezpośrednio podłączyć do zasilania, korzystając z wyłącznika wielobiegunowego z minimalnym rozwarciem między stykami wynoszącym 3 mm.”

- Jeśli dojdzie do uszkodzenia przewodu zasilającego, ze względów bezpieczeństwa powinien wymienić go producent, przedstawiciel serwisowy lub inna osoba o odpowiednich kwalifikacjach.
- Upewnić się, że przewód zasilania nie został przytrzaśnięty przez urządzenie ani wewnątrz urządzenia, a także że nie jest uszkodzony.
- Nie dopuszczać do zetknięcia się przewodów elektrycznych z gorącymi częściami urządzenia.
- Nie montować urządzenia na zewnątrz, w wilgotnym miejscu lub obszarze, które może być narażone na wycieki wody, np. pod zlewozmywakiem lub w jego pobliżu. W przypadku wycieku wody poczekać na wyschnięcie urządzenia.
- Należy odpowiednio zutylizować opakowanie.
- Nie używać sprayów łatwopalnych w pobliżu urządzenia.
- Zaleca się również zachowanie szczególnej ostrożności podczas użytkowania i czyszczenia. Należy dokładnie przeczytać rozdziały poświęcone czyszczeniu i konserwacji urządzenia.
- Nie należy używać myjek parowych.
- Urządzenie nie jest przeznaczone do obsługi za pomocą zewnętrznego programatora ani układu zdalnego sterowania.
- Urządzenie jest przeznaczone wyłącznie do użytku w gospodarstwie domowym.
- Jeśli pole grzewcze było włączone przez dłuższy czas, po wyłączeniu jego powierzchnia pozostaje przez pewien czas gorąca, dlatego nie należy jej dotykać.
- Pod płytą nie wolno przechowywać detergentów ani materiałów łatwopalnych.
- Nie pozostawiać bez nadzoru gorącego oleju ani tłuszczu, ponieważ może dojść do jego zapłonu.
- Producent nie ponosi żadnej odpowiedzialności za obrażenia ciała lub uszkodzenia mienia powstałe na skutek nieprawidłowego użytkowania lub montażu urządzenia.



OSTRZEŻENIE!
POZOSTAWIENIE
BEZ NADZORU
GORĄCEGO OLEJU
LUB INNEGO
TŁUSZCZU, MOŻE
BYĆ NIEBEZPIECZNE
I SPOWODOWAĆ
POŻAR.

- Nie wolno gasić pożaru wodą. Należy wyłączyć urządzenie, a następnie zakryć źródło ognia pokrywką lub kocem gaśniczym.



OSTRZEŻENIE!
RYZIKO
POŻARU! NIE
PRZECHOWYWAĆ
PRZEDMIOTÓW
NA POLACH
GRZEJNYCH.

- Przed przestąpieniem do instalacji upewnić się, że lokalne warunki zasilania (rodzaj i ciśnienie gazu) są zgodne z ustawieniami urządzenia.
- Informacje dotyczące warunków zmiany ustawień urządzenia znajdują się na etykiecie (lub na tabliczce znamionowej).

- Urządzenie to nie jest podłączone do wyciągu gazów spalinowych.
- Należy je zainstalować i podłączyć zgodnie z obowiązującymi przepisami. Należy zwrócić szczególną uwagę na wymagania dotyczące wentylacji.



UWAGA:

URZĄDZENIE JEST PRZEZNACZONE WYŁĄCZNIE DO PRZYGOTOWYWANIA POTRAW. NIE WOLNO GO UŻYWAĆ DO INNYCH CELÓW, TAKICH JAK NP. OGRZEWANIE POMIESZCZEŃ.

- Nie stawiać na płycie grzewczej naczyń, których krawędzie wystają poza jej brzegi.



UWAGA: PODCZAS UŻYTKOWANIA URZĄDZENIE WYTWARZA CIEPŁO, PARĘ WODNĄ I PRODUKTY SPALANIA W POMIESZCZENIU, W KTÓRYM SIĘ ZNAJDUJE.

- Należy zadbać o odpowiednią cyrkulację powietrza w kuchni, zwłaszcza podczas korzystania z urządzenia: utrzymywać drożność otworów umożliwiających naturalną wentylację lub zainstalować wentylację mechaniczną (okap kuchenny z wentylatorem).
- Do gotowania należy zawsze używać naczyń z płaskim dnem.
- Nigdy nie używać naczyń o średnicy większej niż średnica pola grzewczego.
- Zainstalować urządzenie zgodnie z obowiązującymi przepisami i używać wyłącznie w dobrze wentylowanym pomieszczeniu.
- Przed przystąpieniem do instalacji lub użytkowania urządzenia należy zapoznać się z instrukcją.



UWAGA: W PRZYPADKU TEGO URZĄDZENIA NIEDOZWOLONE JEST UŻYWANIE OSŁONY ZABEZPIEZAJĄCEJ. NIE NALEŻY MONTOWAĆ ANI

UŻYWAĆ OSŁONY ZABEZPIEZAJĄCEJ PŁYTĘ GRZEWczą, PONIEWAŻ GROZI TO WYPADKIEM.



UWAGA: TA PŁYTA GRZEWczą POSIADA SZKLANĄ POWIERZCHNIĘ DO GOTOWANIA. W PRZYPADKU PĘKNIĘCIA SZKLANEJ POWIERZCHNI:

- Natychmiast zaprzestać korzystania z urządzenia.
- Wyłączyć wszystkie palniki gazowe.
- Odłączyć płytę gazową od zasilania sieciowego.
- Nie wolno dotykać szklanej powierzchni.

Podłączenie gazu



OSTRZEŻENIE: PŁYTĘ GRZEWczą NALEŻY PODŁĄCZYĆ DO SIECI GAZOWEJ LUB BUTLI GAZOWEJ ZA POMOCĄ RURKI MIEDZIANEJ LUB STAŁOWEJ, UŻYWAJĄC MOCOWAŃ ZGODNYCH Z LOKALNYMI PRZEPISAMI.

CZYNNOŚĆ TĘ POWINIEN WYKONAĆ WYKWALIFIKOWANY INSTALATOR URZĄDZEŃ GAZOWYCH.

- Płyta grzewcza jest fabrycznie wyposażona w kolanko przyłączeniowe. Kolanko jest zakończone zewnętrznym gwintem BSP 1/2 cala, zgodnym z normą ISO 228-1:2003. Połączenie z fabrycznie zamontowanym kolankiem MUSI być kompatybilne z gwintem. W przypadku użycia INNEGO rodzaju połączenia lub rozmiaru gwintu należy zastosować odpowiedni adapter.
- Przed użyciem palników ich działanie musi sprawdzić wykwalifikowany instalator urządzeń gazowych.



UWAGA: PRZYŁĄCZE GAZOWE MUSI BYĆ ZAINSTALOWANE ZGODNIE Z PRZEPISAMI OBOWIĄZUJĄCYMI W KRAJU INSTALACJI.

Wymagania dotyczące zasilania gazem

- Urządzenie należy zainstalować zgodnie z odpowiednimi lokalnymi przepisami.
- Instalację powinien przeprowadzić, a następnie przetestować zgodnie z lokalnymi przepisami uprawniony instalator urządzeń gazowych.
- Zgodnie z prawem nie możemy oferować porad dotyczących instalacji urządzeń gazowych nieuprawnionym osobom.

Wentylacja

- Urządzenie nie może być podłączone do wyciągu gazów spalinyowych. Należy je podłączyć i zainstalować zgodnie z lokalnymi przepisami dotyczącymi instalacji, zwracając szczególną uwagę na odpowiednie wymagania dotyczące wentylacji.

Co zrobić w przypadku wyczucia zapachu gazu?



UWAGA:

- Nie włączać żadnego urządzenia.
- Nie dotykać żadnych przełączników elektrycznych.
- Nie używać telefonów w budynku.
- Niezwłocznie opuścić budynek i skontaktować się z dostawcą gazu.



OSTRZEŻENIE: PRZED ROZPOCZĘCIEM KORZYSTANIA Z URZĄDZENIA ZAPOZNAĆ SIĘ Z INSTRUKCJĄ OBSŁUGI. URZĄDZENIE MUSI BYĆ UZIEMIONE. PŁYTĘ GRZEWczą POWINIEN ZAINSTALOWAĆ WYKWALIFIKOWANY MONTER INSTALACJI GAZOWYCH!

Połączenie elektryczne

Instalację powinien przeprowadzić wykwalifikowany elektryk. Przed podłączeniem do zasilania sieciowego należy upewnić się, czy napięcie sieciowe odpowiada napięciu na tabliczce znamionowej.

Podłączenie bezpośrednie

Urządzenie należy podłączyć bezpośrednio do sieci zasilającej, korzystając z wyłącznika wielobiegunowego z minimalnym rozwarciem między stykami 3 mm. Monter powinien upewnić się, że połączenie zostało odpowiednio poprowadzone i że jest ono zgodne ze schematem instalacji. Przewód nie może być zagięty ani przynięciony. Należy regularnie sprawdzać przewód zasilania pod kątem uszkodzeń. Jeśli dojdzie do uszkodzenia przewodu zasilającego, aby uniknąć zagrożeń, ze względów bezpieczeństwa powinien wymienić go producent, przedstawiciel serwisowy lub inna osoba o odpowiednich kwalifikacjach.



OSTRZEŻENIE: URZĄDZENIE POSIADA KLASĘ OCHRONNOŚCI I, CO OZNACZA, ŻE MUSI BYĆ UZIEMIIONE.

- Urządzenie jest dostarczane z 3-żyłowym przewodem zasilania o następujących kolorach:

Brązowy = L (pod napięciem)

Niebieski = N (neutralny)

Zielony i żółty = E (uziemięcie) ⊕

Urządzenie należy podłączyć bezpośrednio do rozdzielnicę poprzez wyłącznik różnicowoprądowy (RCD) o natężeniu 3 A.

Aby ograniczyć do minimum ryzyko związane z użytkowaniem urządzenia elektrycznego, niezwykle ważne jest, aby produkt został prawidłowo zamontowany oraz aby użytkownik dokładnie zapoznał się z instrukcjami dotyczącymi bezpieczeństwa i unikał nieprawidłowej obsługi oraz związanych z tym zagrożeń. Należy zachować instrukcję obsługi w celu wykorzystania w przyszłości i przekazania jej kolejnym właścicielom. Po rozpakowaniu urządzenia upewnić się, że nie jest ono uszkodzone. W razie wątpliwości nie należy używać urządzenia, lecz skontaktować się z działem obsługi klienta.

Producent nie ponosi żadnej odpowiedzialności za obrażenia ciała lub uszkodzenia mienia powstałe na skutek nieprawidłowego lub nieodpowiedniego montażu urządzenia. Wszelkie stałe instalacje elektryczne muszą być zgodne z najnowszymi przepisami dotyczącymi okablowania, obowiązującymi w danym kraju. Dla własnego bezpieczeństwa należy zlecić montaż instalacji elektrycznej wykwalifikowanemu elektrykowi lub wykonawcy.

Dane techniczne

Płyta gazowa szklana 4–palnikowa 60 cm

Napięcie zasilania:	220-240 V~ 50 Hz
Całkowita moc cieplna (gaz ziemny):	7.5 kW
Całkowita moc cieplna (gaz płynny):	7.5 kW (545 g/h)
Zasilanie elektryczne:	5.2W
Wymiary zewnętrzne (szer. x wys. x gł.):	590 x 72 x 510 mm
Waga netto:	14.4 kg

Zestawienie dysz

Kategoria gazu

GB i IE: II2H3+ (G20 20 mbar, G30 28 – 30 mbar, G31 37 mbar)

FR: II2E+3+ (G20 20 mbar, G25 25 mbar, G30 28–30 mbar, G31 37 mbar)

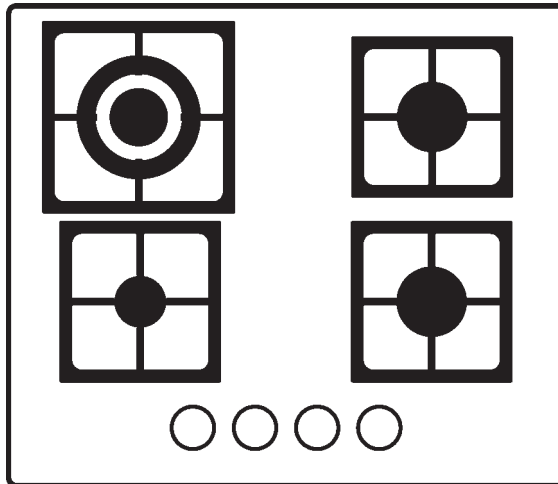
ES i PT: II2H3+ (G20 20 mbar, G30 28 – 30 mbar, G31 37 mbar)

RO: II2H3B/P (G20 20 mbar, G30 30 mbar, G31 30 mbar)

PL: II2ELs3B/P (G20 20 mbar, G2.350 13 mbar, G30 37 mbar, G31 37 mbar)

Rodzaj gazu	Rodzaj palnika	Oznaczenie dyszy	Znamionowy przepływ termiczny (kW)	Zużycie znamionowe	Zmniejszona wydajność cieplna (kW)	Ciśnienie gazu (mbar)
GAZ ZIEMNY (metan) G20	Mały	0.74	1	95 l/godz.	0.28	20
	Średni	0.98	1.75	167 l/godz.	0.49	
	Wok	1.24	3	286 l/godz.	1.2	
GAZ ZIEMNY (metan/azot) G25	Mały	0.74	1	110 l/godz.	0.28	25
	Średni	0.98	1.75	194 l/godz.	0.49	
	Wok	1.24	3	332 l/godz.	1.2	
GAZ ZIEMNY (metan/azot) G2.350	Mały	1.0	1	132 l/godz.	0.28	13
	Średni	1.30	1.75	232 l/godz.	0.49	
	Wok	1.70	3	397 l/godz.	1.2	
SKROPLONY GAZ ROPOPO-CHODNY (LPG) (butan/propan) G30/G31	Mały	0.51	1	73 g/godz.	0.28	28-30/30
	Średni	0.69	1.75	127 g/godz.	0.49	
	Wok	0.88	3	218 g/godz.	1.2	
SKROPLONY GAZ ROPOPO-CHODNY (LPG) (butan) G30	Mały	0.50	1	73 g/godz.	0.28	37
	Średni	0.63	1.75	127 g/godz.	0.49	
	Wok	0.84	3	218 g/godz.	1.2	
SKROPLONY GAZ ROPOPO-CHODNY (LPG) (propan) G31	Mały	0.51	1	71 g/godz.	0.28	37
	Średni	0.69	1.75	125 g/godz.	0.49	
	Wok	0.88	3	214 g/godz.	1.2	

Płyta gazowa szklana 4–palnikowa 60 cm



Palnik	Minimalna średnica naczynia (cm)	Maksymalna średnica naczynia (cm)
Mały	≥ 10	≤ 14
Średni	≥ 16	≤ 20
Potrójny	≥ 24	≤ 28

Wydajność energetyczna

Informacje o produkcie zgodnie z rozporządzeniem UE 66/2014

Oznaczenie modelu	GH60GASLK	
Typ płyty grzewczej	Płyta do zabudowy	
Liczba palników gazowych	4	
Efektywność energetyczna na palnik gazowy (palnik gazowy EE)	Mały	Nie dotyczy
	Potrójny	59.5%
	Średni	64.2% x 2
Efektywność energetyczna płyty gazowej (palnik gazowy EE)		62.6%

EN 30-2-1: Domowe urządzenia do gotowania i pieczenia spalające gaz — Część 2-1: Racjonalne zużycie energii — Postanowienia ogólne

Dane techniczne

Płyta gazowa szklana 5-palnikowa 70 cm

Napięcie zasilania:	220-240 V~ 50 Hz
Całkowita moc cieplna (gaz ziemny):	10 kW
Całkowita moc cieplna (gaz płynny):	10 kW (728 g/h)
Zasilanie elektryczne:	6.5W
Wymiary zewnętrzne (szer. x wys. x gł.):	700 x 72 x 510 mm
Waga netto:	16.8 kg

Zestawienie dysz

Kategoria gazu

GB i IE: I12H3+ (G20 20 mbar, G30 28 – 30 mbar, G31 37 mbar)

FR: I12E+3+ (G20 20 mbar, G25 25 mbar, G30 28–30 mbar, G31 37 mbar)

ES i PT: I12H3+ (G20 20 mbar, G30 28 – 30 mbar, G31 37 mbar)

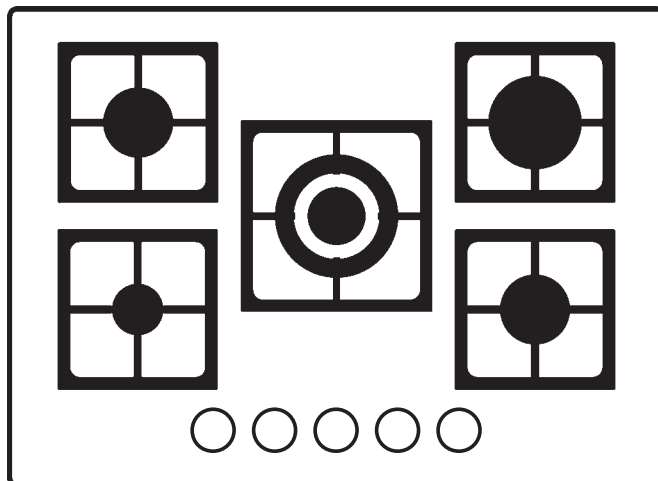
RO: I12H3B/P (G20 20 mbar, G30 30 mbar, G31 30 mbar)

PL: I12ELs3B/P (G20 20 mbar, G2.350 13 mbar, G30 37 mbar, G31 37 mbar)

Rodzaj gazu	Rodzaj palnika	Oznaczenie dyszy	Znamionowy przepływ termiczny (kW)	Zużycie znamionowe	Zmniejszona wydajność cieplna (kW)	Ciśnienie gazu (mbar)
GAZ ZIEMNY (metan) G20	Mały	0.74	1	95 l/godz.	0.28	20
	Średni	0.98	1.75	167 l/godz.	0.49	
	Szybki	1.14	2.5	238 l/godz.	0.75	
	Wok	1.24	3	286 l/godz.	1.2	

Rodzaj gazu	Rodzaj palnika	Oznaczenie dyszy	Znamionowy przepływ termiczny (kW)	Zużycie znamionowe	Zmniejszona wydajność cieplna (kW)	Ciśnienie gazu (mbar)
GAZ ZIEMNY (metan/azot) G25	Mały	0.74	1	110 l/godz.	0.28	25
	Średni	0.98	1.75	194 l/godz.	0.49	
	Szybki	1.14	2.5	277 l/godz.	0.75	
	Wok	1.24	3	332 l/godz.	1.2	
GAZ ZIEMNY (metan/azot) G2.350	Mały	1.0	1	132 l/godz.	0.28	13
	Średni	1.30	1.75	232 l/godz.	0.49	
	Szybki	1.54	2.5	331 l/godz.	0.75	
	Wok	1.70	3	397 l/godz.	1.2	
SKROPLONY GAZ ROPOPO- CHODNY (LPG) (butan/propan) G30/G31	Mały	0.51	1	73 g/godz.	0.28	28-30/30
	Średni	0.69	1.75	127 g/godz.	0.49	
	Szybki	0.81	2.5	182 g/godz.	0.75	
	Wok	0.88	3	218 g/godz.	1.2	
SKROPLONY GAZ ROPOPO- CHODNY (LPG) (butan) G30	Mały	0.50	1	73 g/godz.	0.28	37
	Średni	0.63	1.75	127 g/godz.	0.49	
	Szybki	0.76	2.5	182 g/godz.	0.75	
	Wok	0.84	3	218 g/godz.	1.2	
SKROPLONY GAZ ROPOPO- CHODNY (LPG) (propan) G31	Mały	0.51	1	71 g/godz.	0.28	37
	Średni	0.69	1.75	125 g/godz.	0.49	
	Szybki	0.81	2.5	238 g/godz.	0.75	
	Wok	0.88	3	214 g/godz.	1.2	

Płyta gazowa szklana 5–palnikowa 70 cm



Palnik	Minimalna średnica naczynia (cm)	Maksymalna średnica naczynia (cm)
Mały	> 10	< 14
Średni	> 16	< 20
Szybki	> 20	< 24
Potrójny	> 24	< 28

Wydajność energetyczna

Informacje o produkcie zgodnie z rozporządzeniem UE 66/2014

Oznaczenie modelu		GH70GASLK
Typ płyty grzewczej		Płyta do zabudowy
Liczba palników gazowych		5
Efektywność energetyczna na palnik gazowy (palnik gazowy EE)	Mały	Nie dotyczy
	Potrójny	59.3%
	Szybki	62.5%
	Średni	64.2%x2
Efektywność energetyczna płyty gazowej (palnik gazowy EE)		62.5%

EN 30-2-1: Domestic cooking appliances burning gas - Part 2-1: Rational use of energy - General

Recykling i utylizacja



Zużyte produkty elektryczne (WEEE) nie powinny być utylizowane z odpadami domowymi.

Należy je przekazać do recyklingu w przeznaczonych do tego miejscach. Aby uzyskać informacje o możliwości recyklingu, należy skontaktować się z lokalnymi władzami, firmą zajmującą się utylizacją odpadów lub sprzedawcą, u którego został zakupiony produkt.

Symbol kosza na śmieci na produkcie lub jego opakowaniu informuje o tym, że urządzenie nie może zostać wyrzucone wraz z odpadami komunalnymi. Niniejszy produkt musi zostać przekazany do punktu zbiórki sprzętu elektrycznego i elektronicznego w celu recyklingu. Utylizując niniejszy produkt w odpowiedni sposób, użytkownik zapobiega negatywnym skutkom wpływającym na środowisko i zdrowie publiczne, które mogłyby zostać wywołane poprzez niewłaściwe obchodzenie się z urządzeniem.

Gwarancja

Przykładamy szczególną wagę do tego, aby wybierać materiały wysokiej jakości i stosować techniki produkcyjne, które umożliwiają tworzenie wytrzymałych, a zarazem atrakcyjnych produktów. Ten produkt Płyta gazowa szklana ma gwarancję producenta na 2 lat, która obejmuje wady produkcyjne, począwszy od daty zakupu (zakup w sklepie) lub dostawy (zakup przez Internet) bez dodatkowych kosztów w przypadku normalnego (nieprofesjonalnego lub niekomercyjnego) użytku domowego.

Aby dokonać zgłoszenia reklamacyjnego, należy przedstawić dowód zakupu (np. paragon, fakturę lub inny dowód na mocy obowiązujących przepisów prawa). Dowód zakupu należy przechowywać w bezpiecznym miejscu. Gwarancja obejmuje produkty nowe; nie obejmuje produktów używanych lub z ekspozycji. Produkt zamienny objęty niniejszą gwarancją będzie nią objęty aż do wygaśnięcia okresu obowiązywania gwarancji oryginalnego produktu, chyba że określono inaczej w obowiązujących przepisach prawa.

Niniejsza gwarancja obejmuje wady i uszkodzenia produktu, pod warunkiem że produkt był używany zgodnie z przeznaczeniem oraz zamontowany, czyszczony i konserwowany zgodnie z informacjami zawartymi powyżej oraz w instrukcji obsługi, a także ze standardowymi praktykami (jeśli te praktyki nie są sprzeczne z instrukcją użytkownika).

Niniejsza gwarancja nie obejmuje wad ani uszkodzeń wynikających z normalnego zużycia lub uszkodzeń będących skutkiem niewłaściwego używania, montażu lub złożenia, a także zaniedbania, wypadku i modyfikacji produktu. Gwarancja nie obejmuje w żadnym wypadku dodatkowych kosztów (transportu, przenoszenia, montażu i demontażu, robocizny itd.) ani strat bezpośrednich lub pośrednich, chyba że określono inaczej w obowiązujących przepisach prawa.

Jeśli produkt jest wadliwy, we właściwym czasie naprawimy.

Prawa wynikające z tej gwarancji obowiązują w kraju, w którym zakupiono produkt. Zapytania dotyczące gwarancji powinno się kierować do sklepu, w którym zakupiono produkt.

Niniejsza gwarancja jest dokumentem dodatkowym, który nie ma wpływu na ustawowe prawa konsumenta.

Jeśli produkt zakupiono w Polsce, niniejsza gwarancja nie wyklucza, nie ogranicza ani nie zawiesza uprawnień wynikających z przepisów prawa dotyczących gwarancji na wady zakupionego towaru.

WAŻNE – NALEŻY DOKŁADNIE PRZECZYTAĆ NINIEJSZE INFORMACJE I ZACHOWAĆ.

RO

Înainte de a începe

- Pentru a evita riscurile aferente utilizării unui aparat pe gaz, este important ca acesta să fie instalat corect și să citești cu atenție instrucțiunile de siguranță în vederea evitării utilizării greșite și a pericolelor.
- Păstrează acest manual de instrucțiuni pentru consultare ulterioară și predă-l viitorilor proprietari. După despachetarea aparatului, verifică să nu fie deteriorat. Dacă ai îndoieli, nu folosi aparatul, ci contactează serviciul de Asistență clienți la numărul 0800 895 099.
- Verifică ambalajul și asigură-te că ai toate piesele specificate.
- Decide amplasarea corespunzătoare pentru produs.
- Plăcuța cu specificații este disponibilă pe aparat. Pe această plăcuță sunt afișate toate informațiile de identificare necesare pentru comandarea pieselor de schimb. Dacă vinzi, donezi sau lași aparatul montat când te muți, predă și acest manual noului proprietar, pentru ca

acesta să se familiarizeze cu aparatul și cu avertismentele de siguranță.

Siguranță

Aceste instrucțiuni sunt pentru siguranța ta. Citește-le cu atenție înainte de instalare și păstrează-le pentru consultare ulterioară.



AVERTISMENT:

CONECTAREA PLITEI LA REȚEAUA SAU LA BUTELIA DE GAZ TREBUIE FĂCUTĂ FOLOSIND O ȚEAVĂ RIGIDĂ DIN CUPRU SAU OȚEL CU FITINGURI CONFORME CU REGLEMENTĂRILE LOCALE.

ACEASTĂ OPERAȚIE TREBUIE EFECTUATĂ DE UN INSTALATOR CALIFICAT ÎN DOMENIUL GAZELOR.

- Acest aparat respectă toate legile europene în vigoare privind siguranța, însă producătorul trebuie să sublinieze că acest lucru nu împiedică suprafețele aparatului să se încălzească și să rămână fierbinți în timpul funcționării.
- Componentele accesibile se pot încinge în timpul utilizării. A nu se lăsa la îndemâna copiilor.
- Trebuie luate măsuri pentru a evita atingerea aparatului atunci când este fierbinte.
- Producătorul recomandă insistent ca acest aparat să nu fie lăsat la îndemâna bebelușilor și a copiilor mici.
- Acest aparat poate fi folosit de copii cu vârsta de peste 8 ani și de persoane cu capacități fizice, senzoriale sau mintale reduse ori fără experiență și cunoștințe numai sub supraveghere sau dacă au beneficiat de instruire cu privire la utilizarea aparatului în siguranță și dacă înțeleg pericolele aferente.
- Nu le permite copiilor să se joace cu acest aparat.
- Curățarea și întreținerea de către utilizator nu trebuie efectuate de copii decât dacă au cel puțin 8 ani și sunt supravegheați.
- Nu lăsa aparatul și cablul de alimentare la îndemâna copiilor mai mici de 8 ani.
- Cablajul fix trebuie să includă măsuri de izolare completă, în conformitate cu reglementările curente privind cablarea. În cablajul fix trebuie conectat un disjuncteur omnipolar cu o separare a contactelor de cel puțin 3 mm între toți polii.
- Dacă se deteriorează, cablul de alimentare trebuie înlocuit de producător, de agentul de service sau de persoane cu un nivel de calificare similar, pentru a evita un pericol.
- Asigură-te că acest cablu de alimentare nu este prins sub sau în aparat și evită deteriorarea lui.
- Nu lăsa cablurile electrice să atingă părțile fierbinți ale aparatului.
- Nu instala aparatul afară, în locuri umede sau în zone expuse scurgerilor de apă, de exemplu sub sau lângă o chiuvetă. În cazul unei scurgeri de apă, lasă aparatul să se usuce.

- Elimină ambalajul la deșeuri cu grijă.
- Nu folosi sprayuri inflamabile în apropierea aparatului.
- În plus, recomandăm atenție sporită în timpul utilizării și curățării. Citește cu atenție secțiunile privind curățarea și întreținerea aparatului.
- Nu folosi aparate de curățare cu abur.
- Aparatul nu este destinat folosirii cu un temporizator extern sau un sistem de comandă de la distanță separat.
- Acest aparat este numai pentru uz casnic.
- Atunci când o zonă de gătit a fost pornită o perioadă lungă, suprafața rămâne fierbinte un timp, așadar nu o atinge.
- Nu depozita detergenți sau materiale inflamabile sub plită.
- Nu lăsa uleiuri sau grăsimi fierbinți nesupravegheate, deoarece se pot aprinde.
- Producătorul nu își asumă răspunderea pentru leziunile corporale sau daunele materiale rezultate din utilizarea sau montarea incorectă a acestui aparat.



AVERTISMENT!
GĂTIREA CU GRĂSIMI SAU ULEI PE O PLITĂ NESUPRAVEGHEATĂ POATE FI PERICULOASĂ ȘI POATE PROVOCA INCENDIU.

- Nu încerca niciodată să stingi focul cu apă, ci oprește aparatul și acoperă flacăra cu un capac sau cu o pătură ignifugă.



AVERTISMENT! RISC DE INCENDIU! NU PĂSTRA OBIECTE PE SUPRAFETELE DE GĂTIT.

- Înainte de instalare, asigură-te că reglarea aparatului este compatibilă cu condițiile locale de distribuție (tipul și presiunea gazului).
- Condițiile de reglare pentru acest aparat sunt indicate pe etichetă (sau pe plăcuța cu date).
- Acest aparat nu este conectat la un dispozitiv de evacuare a produselor de combustie.

- Trebuie instalat și conectat în conformitate cu reglementările de montare actuale. Trebuie acordată o atenție deosebită cerințelor relevante privind ventilația.



ATENȚIE: ACEST APARAT ESTE CONCEPUT NUMAI PENTRU GĂTIT. NU TREBUIE UTILIZAT ÎN ALTE SCOPURI, DE EXEMPLU PENTRU ÎNCĂLZIREA CAMEREI.

- Nu pune pe plită vase de gătit care depășesc marginile zonei de gătit.



ATENȚIE: UTILIZAREA UNUI APARAT DE GĂTIT CU GAZ ARE CA REZULTAT PRODUCEREA DE CĂLDURĂ, UMIDITATE ȘI PRODUSE DE COMBUSTIE ÎN ÎNCĂPEREA UNDE ESTE INSTALAT.

- Asigură-te că bucătăria este bine ventilată, în special atunci când aparatul este în uz: păstrează orificiile de ventilare naturală deschise sau instalează un dispozitiv de ventilare mecanică (hotă cu control mecanic).
- Utilizează întotdeauna vase cu bază plată în timpul gătitului.
- Nu utiliza niciodată vase cu un diametru mai mare decât cel al zonei de gătit.
- Acest aparat trebuie instalat în conformitate cu reglementările în vigoare și trebuie utilizat numai în spații bine ventilate.
- Citește instrucțiunile înainte de instalarea sau utilizarea aparatului.



ATENȚIE: NU ESTE PERMISĂ UTILIZAREA UNEI PROTECȚII PENTRU PLITĂ CU ACEST APARAT. NU ÎNCERCA SĂ MONTEZI SAU SĂ UTILIZEZI O PROTECȚIE PENTRU PLITĂ, DEOARECE ACEST LUCRU POATE PROVOCA ACCIDENTE.



ATENȚIE: ACEASTĂ PLITĂ ARE O SUPRAFAȚĂ DE GĂTIT DIN STICLĂ. ÎN CAZUL DETERIORĂRII STICLEI:

- Încetează imediat utilizarea aparatului.
- Oprește toate arzătoarele pe gaz.
- Oprește plita pe gaz de la sursa de alimentare de la rețea.
- Nu atinge suprafața din sticlă.

Conexiune gaze



AVERTISMENT: CONECTAREA PLITEI LA REȚEAUA SAU LA BUTELIA DE GAZ TREBUIE FĂCUTĂ FOLOSIND O ȚEAVĂ RIGIDĂ DIN CUPRU SAU OȚEL CU FITINGURI CONFORME CU REGLEMENTĂRILE LOCALE.

ACEASTĂ OPERAȚIE TREBUIE EFECTUATĂ DE UN INSTALATOR CALIFICAT ÎN DOMENIUL GAZELOR.

- Un cot de legătură este premontat la plită. Acest cot se termină cu un filet extern de conectare BSP de 1/2", conform cu ISO 228-1:2003. Racordul realizat la cotul premontat TREBUIE să fie adecvat pentru conectarea la acest filet. Dacă se utilizează ORICE alt tip de racord sau orice altă dimensiune de filet, TREBUIE montat un adaptor adecvat.

- Instalatorul calificat în domeniul gazelor trebuie să se asigure că funcționarea arzătoarelor a fost verificată corect înainte de utilizare.



ATENȚIE: RACORDAREA LA INSTALAȚIA DE GAZ TREBUIE EFECTUATĂ ÎN CONFORMITATE CU REGLEMENTĂRILE APLICABILE ÎN ȚARA ÎN CARE ARE LOC.

Cerințe privind alimentarea cu gaz

- Aparatul trebuie instalat în conformitate cu reglementările locale relevante.
- Montarea trebuie efectuată de un instalator autorizat de aparate pe gaz și testată conform reglementărilor locale.
- Nu putem oferi consultanță juridică personalului neautorizat cu privire la instalarea aparatelor pe gaz.

Ventilare

- Acest aparat nu trebuie conectat la un dispozitiv de evacuare a produselor de combustie. Trebuie conectat și instalat în conformitate cu reglementările locale privind instalațiile, acordând o atenție deosebită cerințelor relevante privind ventilația.

Ce trebuie să faci dacă simți miros de gaz?



ATENȚIE:

- Nu încerca să aprinzi vreun aparat.
- Nu atinge niciun întrerupător electric.
- Nu utiliza telefoane în clădire.
- Contactează imediat dintr-un alt loc furnizorul de gaze.



AVERTISMENT: CITEȘTE INSTRUCȚIUNILE ÎNAINTE DE A UTILIZA APARATUL. ACEST APARAT TREBUIE CONECTAT LA ÎMPĂMÂNTARE. ACEASTĂ PLITĂ TREBUIE MONTATĂ DE UN INSTALATOR CALIFICAT ÎN DOMENIUL GAZELOR!

Conexiune electrică

Instalarea trebuie realizată în totalitate de un electrician calificat. Înainte de conectarea la rețeaua electrică, asigură-te că tensiunea de alimentare a rețelei corespunde cu cea de pe plăcuța de identificare.

Conexiune directă

Aparatul trebuie conectat direct la rețea cu un disjuncter omnipolar cu o deschidere minimă între contacte de 3 mm.

Instalatorul trebuie să se asigure că a realizat corect legăturile electrice și că a respectat schema electrică.

Cablul nu trebuie îndoit sau presat.

Verifică periodic cablul de alimentare, pentru a depista deteriorările. Dacă se deteriorează, cablul de alimentare trebuie înlocuit de producător, agentul de service sau persoane cu un nivel de calificare similar, pentru a evita o situație periculoasă.



AVERTISMENT: ACESTA ESTE UN APARAT CLASA I ȘI TREBUIE ÎMPĂMÂNTAT.

- Acest aparat este echipat cu un cablu de alimentare cu 3 fire, colorate după cum urmează:

Maro = L sau Fază

Albastru = N sau Nul

Verde și galben = E sau Împământare (⊕)

Aparatul trebuie conectat direct la tabloul de distribuție cu o siguranță automată cu protecție diferențială (RCD) de 3 A pentru protecția circuitului.

Pentru a evita pericolele și riscurile utilizării greșite a unui echipament electric, este important ca acest aparat să fie montat corect și să citești cu atenție instrucțiunile de siguranță. Păstrează acest manual de instrucțiuni pentru consultare ulterioară și predă-l viitorilor proprietari. După despachetarea aparatului, verifică să nu fie deteriorat. Dacă ai îndoieli, nu folosi aparatul, ci contactează serviciul de Asistență clienți.

Producătorul nu își asumă răspunderea pentru leziunile corporale sau daunele materiale rezultate din utilizarea sau montarea incorectă a acestui aparat. Toate instalațiile electrice permanente trebuie să fie conforme cu cele mai recente reglementări de cablare aplicabile la nivel național, iar pentru siguranța ta instalarea electrică trebuie realizată de un electrician sau contractant calificat.

Date tehnice

Plită pe gaz din sticlă cu 4 arzătoare, 60 cm

Tensiune de alimentare:	220-240 V~ 50 Hz
Putere de încălzire totală (gaze naturale):	7.5 kW
Putere de încălzire totală (GPL):	7.5 kW (545 g/h)
Putere electrică:	5.2W
Dimensiuni externe (l x H x A):	590 x 72 x 510 mm
Greutate netă:	14.4 kg

Tabel injectoare

Categorie de gaz

UK și IR: II2H3+ (G20 20 mbar, G30 28-30 mbar, G31 37 mbar)

FR: II2E+3+ (G20 20 mbar, G25 25 mbar, G30 28-30 mbar, G31 37 mbar)

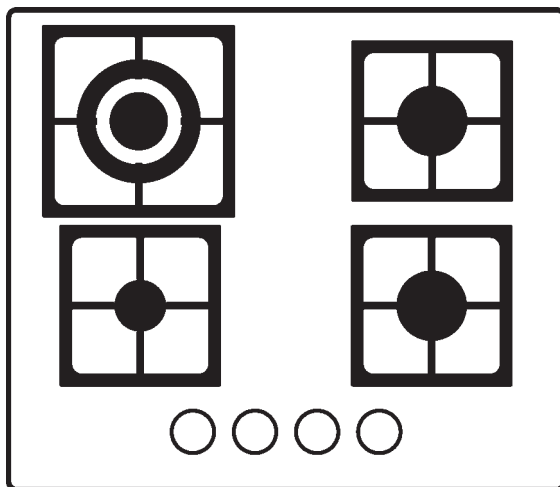
ES și PT: II2H3+ (G20 20 mbar, G30 28-30 mbar, G31 37 mbar)

RO: II2H3B/P (G20 20 mbar, G30 30 mbar, G31 30 mbar)

PL: II2ELs3B/P (G20 20 mbar, G2.350 13 mbar, G30 37 mbar, G31 37 mbar)

Tip de gaz utilizat	Tip de arzător	Marcaj injector	Flux termic nominal kW	Consum nominal	Capacitate termică redusă kW	Valoare nominală presiune gaz (mbar)
GAZE NATURALE (metan) G20	Auxiliar	0.74	1	95 l/h	0.28	20
	Semi-rapid	0.98	1.75	167 l/h	0.49	
	Wok	1.24	3	286 l/h	1.2	
GAZE NATURALE (metan/azot) G25	Auxiliar	0.74	1	110 l/h	0.28	25
	Semi-rapid	0.98	1.75	194 l/h	0.49	
	Wok	1.24	3	332 l/h	1.2	
GAZE NATURALE (metan/azot) G2.350	Auxiliar	1.0	1	132 l/h	0.28	13
	Semi-rapid	1.30	1.75	232 l/h	0.49	
	Wok	1.70	3	397 l/h	1.2	
GAZ PETROLIER LICHEFIAT (butan/propan) G30/G31	Auxiliar	0.51	1	73 g/h	0.28	28-30/30
	Semi-rapid	0.69	1.75	127 g/h	0.49	
	Wok	0.88	3	218 g/h	1.2	
GAZ PETROLIER LICHEFIAT (butan) G30	Auxiliar	0.50	1	73 g/h	0.28	37
	Semi-rapid	0.63	1.75	127 g/h	0.49	
	Wok	0.84	3	218 g/h	1.2	
GAZ PETROLIER LICHEFIAT (propan) G31	Auxiliar	0.51	1	71 g/h	0.28	37
	Semi-rapid	0.69	1.75	125 g/h	0.49	
	Wok	0.88	3	214 g/h	1.2	

Plită pe gaz din sticlă cu 4 arzătoare, 60 cm



Arzător	Diametru minim vas (cm)	Diametru maxim vas (cm)
Auxiliar	≥ 10	≤ 14
Semi-rapid	≥ 16	≤ 20
Inel triplu	≥ 24	≤ 28

Eficiență energetică

Informații despre produs conform Regulamentului UE nr. 66/2014

Identificare model	GH60GASLK	
Tip de plită	Plită încorporată	
Număr de arzătoare pe gaz	4	
Eficiență energetică per arzător pe gaz (arzător pe gaz EE)	Auxiliar	Nu se aplică
	Inel triplu	59.5%
	Semi-rapid	64.2% x 2
Eficiență energetică pentru plita pe gaz (arzător pe gaz EE)	62.6%	

EN 30-2-1: Aparate de gătit casnice care utilizează combustibili gazoși - Partea 2-1: Utilizarea rațională a energiei - Informații generale

Date tehnice

Plită pe gaz din sticlă cu 5 arzătoare, 70 cm

Tensiune de alimentare:	220-240 V~ 50 Hz
Putere de încălzire totală (gaze naturale):	10 kW
Putere de încălzire totală (GPL):	10 kW (728 g/h)
Putere electrică:	6.5W
Dimensiuni externe (l x H x A):	700 x 72 x 510 mm
Greutate netă:	16.8 kg

Tabel injectoare

Categorie de gaz

UK și IR: I12H3+ (G20 20 mbar, G30 28-30 mbar, G31 37 mbar)

FR: I12E+3+ (G20 20 mbar, G25 25 mbar, G30 28-30 mbar, G31 37 mbar)

ES și PT: I12H3+ (G20 20 mbar, G30 28-30 mbar, G31 37 mbar)

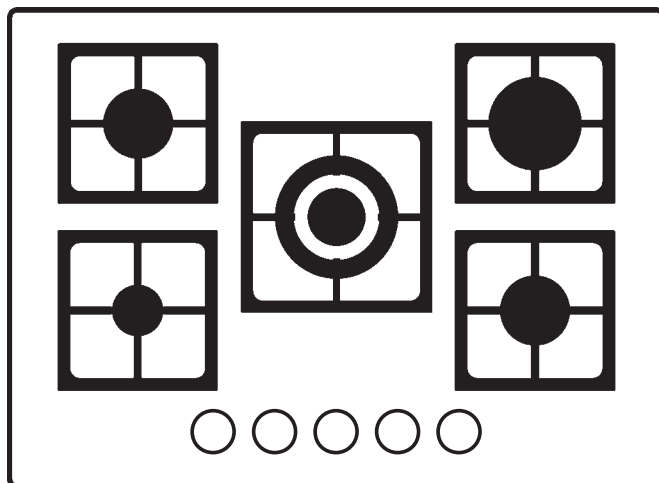
RO: I12H3B/P (G20 20 mbar, G30 30 mbar, G31 30 mbar)

PL: I12ELs3B/P (G20 20 mbar, G2.350 13 mbar, G30 37 mbar, G31 37 mbar)

Tip de gaz utilizat	Tip de arzător	Marcaj injector	Flux termic nominal kW	Consum nominal	Capacitate termică redusă kW	Valoare nominală presiune gaz (mbar)
GAZE NATURALE (metan) G20	Auxiliar	0.74	1	95 l/h	0.28	20
	Semi-rapid	0.98	1.75	167 l/h	0.49	
	Rapid	1.14	2.5	238 l/h	0.75	
	Wok	1.24	3	286 l/h	1.2	
GAZE NATURALE (metan/azot) G25	Auxiliar	0.74	1	110 l/h	0.28	25
	Semi-rapid	0.98	1.75	194 l/h	0.49	
	Rapid	1.14	2.5	277 l/h	0.75	
	Wok	1.24	3	332 l/h	1.2	
GAZE NATURALE (metan/azot) G2.350	Auxiliar	1.0	1	132 l/h	0.28	13
	Semi-rapid	1.30	1.75	232 l/h	0.49	
	Rapid	1.54	2.5	331 l/h	0.75	
	Wok	1.70	3	397 l/h	1.2	

GAZ PETROLIER LICHEFIAT (butan/propan) G30/G31	Auxiliar	0.51	1	73 g/h	0.28	28-30/30
	Semi-rapid	0.69	1.75	127 g/h	0.49	
	Rapid	0.81	2.5	182 g/h	0.75	
	Wok	0.88	3	218 g/h	1.2	
GAZ PETROLIER LICHEFIAT (butan) G30	Auxiliar	0.50	1	73 g/h	0.28	37
	Semi-rapid	0.63	1.75	127 g/h	0.49	
	Rapid	0.76	2.5	182 g/h	0.75	
	Wok	0.84	3	218 g/h	1.2	
GAZ PETROLIER LICHEFIAT (propan) G31	Auxiliar	0.51	1	71 g/h	0.28	37
	Semi-rapid	0.69	1.75	125 g/h	0.49	
	Rapid	0.81	2.5	238 g/h	0.75	
	Wok	0.88	3	214 g/h	1.2	

Plită pe gaz din sticlă cu 5 arzătoare, 70 cm



Arzător	Diametru minim vas (cm)	Diametru maxim vas (cm)
Auxiliar	> 10	< 14
Semi-rapid	> 16	< 20
Rapid	> 20	< 24
Inel triplu	> 24	< 28

Eficiență energetică

Informații despre produs conform Regulamentului UE nr. 66/2014

Identificare model		GH70GASLK
Tip de plită		Plită încorporată
Număr de arzătoare pe gaz		5
Eficiență energetică per arzător pe gaz (arzător pe gaz EE)	Auxiliar	Nu se aplică
	Inel triplu	59.3%
	Rapid	62.5%
	Semi-rapid	64.2%x2
Eficiență energetică pentru plita pe gaz (arzător pe gaz EE)		62.5%

EN 30-2-1: Aparat de gătit casnic care utilizează combustibili gazoși - Partea 2-1: Utilizarea rațională a energiei - Informații generale

Reciclare și eliminare



Produsele electrice uzate (DEEE) nu trebuie eliminate cu deșeurile menajere.

Acolo unde există facilitățile necesare, reciclează. Consultă autoritățile locale, serviciile de eliminare a deșeurilor menajere sau distribuitorul de unde ai cumpărat aparatul pentru sfaturi privind reciclarea.

Simbolul toberonului cu roți, prezent pe produs sau pe ambalaj, arată că acest produs nu poate fi tratat ca deșeu menajer obișnuit. Acest produs trebuie predat la un punct de colectare a echipamentelor electrice și electronice, în vederea reciclării. Asigurându-te că acest produs este eliminat corespunzător, contribuie la evitarea posibilelor consecințe negative pentru mediu și sănătatea publică, care ar putea apărea dacă produsul nu este gestionat corect.

Garanție

Avem o grijă deosebită să selectăm materiale de înaltă calitate și să utilizăm tehnici de fabricare care ne permit să creăm produse care încorporează designul și durabilitatea. Acest produs Plită pe gaz din sticlă beneficiază de garanție din partea producătorului de 2 ani pentru defectele de fabricație, de la data achiziției (dacă este cumpărat din magazin) sau de la data livrării (dacă este cumpărat online), fără niciun cost suplimentar pentru uz casnic normal (nu profesional sau comercial).

Pentru a efectua o solicitare în temeiul acestei garanții, trebuie să prezentați dovada achiziției (cum ar fi, chitanța de vânzare/bonul fiscal, factura de achiziție sau alte dovezi admisibile conform legii aplicabile); vă rugăm să păstrați dovada achiziției într-un loc sigur. Pentru ca această garanție să se aplice, produsul achiziționat trebuie să fie nou, garanția neaplicându-se pentru produse la mâna a doua sau produse de prezentare. Cu excepția cazului în care legislația aplicabilă prevede altfel, orice produs înlocuitor livrat în

baza prezentei garanții va beneficia de garanție doar până la expirarea perioadei inițiale de garanție.

Prezenta garanție acoperă defecțiunile produsului și erorile de funcționare, cu condiția ca produsul să fi fost utilizat în scopul prevăzut și să fi fost instalat, curățat, îngrijit și întreținut în conformitate cu informațiile conținute în termenii și condițiile prezente, manualul de utilizare și practicile standard, cu condiția ca practicile standard să nu fie în contradicție cu manualul de utilizare.

Această garanție nu acoperă defectele și deteriorările provocate de uzura normală sau daunele care pot fi rezultatul utilizării necorespunzătoare, instalării sau asamblării defectuoase, neglijenței, accidentelor, utilizării greșite sau modificărilor aduse produsului. Cu excepția cazului în care legislația aplicabilă prevede altfel, prezenta garanție nu va acoperi, în niciun caz, costurile suplimentare (de expediere, deplasare, dezinstalare și reinstalare, manoperă etc.) sau daunele directe și indirecte.

Dacă produsul este defect, vom proceda, într-un timp rezonabil, la repararea.

Drepturile acoperite de această garanție sunt aplicabile în țara în care ați achiziționat produsul. Întrebările legate de garanție trebuie adresate magazinului de la care ați achiziționat produsul.

Garanția este suplimentară drepturilor dvs. legale și nu le afectează.

Dacă achiziționați acest produs din Turcia sau România, veți primi o garanție.

IMPORTANT – PĂSTRAȚI ACESTE INFORMAȚII PENTRU REFERINȚE VIITOARE: CITIȚI CU ATENȚIE.

ES Antes de empezar

- Para evitar los riesgos que existen cuando se utiliza un aparato de gas, es importante instalar correctamente el aparato y leer atentamente las instrucciones de seguridad para evitar el uso incorrecto y los peligros.
- Conserve este manual de instrucciones para consultarlo en el futuro y entréguelo a cualquier propietario posterior. Después de desembalar el aparato, compruebe que no esté dañado. En caso de duda, no utilice el aparato y póngase en contacto con el servicio de atención al cliente en el siguiente número de teléfono: 800 098 794.
- Compruebe el embalaje y asegúrese de tener todas las piezas de la lista.
- Decida la ubicación adecuada para el producto.

- Este aparato cuenta con una placa de especificaciones que muestra toda la información de identificación necesaria para realizar pedidos de piezas de recambio. Si vende, regala o deja instalado el aparato al cambiar de casa, asegúrese de adjuntar también este manual, de modo que el nuevo propietario pueda familiarizarse con el aparato y las advertencias de seguridad.

Seguridad

- Estas instrucciones son para su propia seguridad. Léalas atentamente antes de la instalación y consérvelas para futuras consultas.



ADVERTENCIA:
LA CONEXIÓN DE LA COCINA A LA RED DE GAS O LA BOMBONA DE GAS DEBE REALIZARSE MEDIANTE UN TUBO DE ACERO O DE COBRE RÍGIDO CON ACCESORIOS CONFORMES CON LAS NORMATIVAS LOCALES.

ESTA OPERACIÓN DEBE REALIZARLA UN INSTALADOR DE GAS CUALIFICADO.

- Este aparato cumple con la legislación de seguridad vigente en Europa. No obstante, el fabricante recalca que este cumplimiento no evita el calentamiento de las superficies del aparato durante el uso.
- Las piezas accesibles pueden calentarse durante el uso. Mantenga alejados a los niños pequeños.
- Tenga cuidado de no tocar el aparato cuando esté caliente.
- El fabricante recomienda encarecidamente que este aparato se mantenga fuera del alcance de bebés y niños pequeños.
- Este aparato lo pueden usar niños a partir de 8 años y personas con capacidades físicas, sensoriales o mentales reducidas, así como personas sin experiencia ni conocimientos, si se les ha supervisado o instruido acerca del uso del aparato de una forma segura y comprenden los riesgos que conlleva.

- Los niños no deben jugar con el aparato.
- La limpieza y el mantenimiento del usuario no podrán ser realizados por niños, a menos que sean mayores de 8 años y lo hagan bajo supervisión.
- Mantenga el aparato y el cable de alimentación fuera del alcance de los niños menores de 8 años.
- Se deben incorporar medios que permitan aislar el cableado fijo del aparato de acuerdo con la regulación vigente en materia de cableado. Durante la instalación del cableado fijo, se debe conectar un disyuntor omnipolar que tenga una separación de contacto de al menos 3 mm en todos los polos.
- Si el cable de alimentación está dañado, debe ser sustituido por el fabricante, su distribuidor local o una persona de cualificación similar para evitar situaciones de peligro.
- Asegúrese de que el cable de alimentación no quede atrapado debajo o dentro del aparato y evite que se dañe.
- No permita que los cables eléctricos entren en contacto con las piezas calientes del aparato.
- No instale el aparato al aire libre, en un lugar húmedo o en una superficie en la que se puedan producir fugas de agua, como debajo o cerca de un fregadero. En el caso de que haya una fuga de agua, deje que la máquina se seque de forma natural.
- Deseche el material de embalaje adecuadamente.
- No utilice pulverizadores inflamables cerca del aparato.
- Le recomendamos que proceda con mucho cuidado al utilizarlo y limpiarlo. Lea detenidamente las secciones de limpieza y mantenimiento de este aparato.
- No utilice un limpiador de vapor.
- El aparato no está diseñado para funcionar con un programador ni un sistema de control remoto externos.
- Este aparato es solo para uso doméstico.

- Cuando una zona de cocción haya permanecido encendida durante un periodo prolongado de tiempo, la superficie permanecerá caliente tras apagarla, por lo que no debe tocar la superficie de metal.
- No guarde detergentes ni materiales inflamables debajo de la placa.
- No deje aceites o grasas calientes sin vigilancia, ya que podría producirse un incendio.
- El fabricante rechaza toda responsabilidad por los daños personales o materiales que resulten del uso inadecuado o de la instalación incorrecta de este aparato.



ADVERTENCIA:
UTILIZAR LA PLACA SIN VIGILANCIA MIENTRAS SE COCINA CON GRASA O ACEITE PUEDE SER PELIGROSO, YA QUE PODRÍA PROVOCAR UN INCENDIO.

- Nunca intente apagar un incendio con agua; apague el aparato y, a continuación, cubra la llama con una tapa o una manta ignífuga.



ADVERTENCIA:
RIESGO DE INCENDIO. NO UTILICE LAS SUPERFICIES DE COCCIÓN COMO LUGAR DE ALMACENAMIENTO.

- Antes de la instalación, asegúrese de que las condiciones de distribución locales (naturaleza y presión del gas) y el ajuste del aparato son compatibles.
- Las condiciones de ajuste de este aparato se indican en la etiqueta (o placa de datos).
- Este aparato no está conectado a un dispositivo de evacuación de gases de combustión.
- Se instalará y conectará de acuerdo con las normativas de instalación vigentes. Debe prestarse una especial atención a los requisitos pertinentes en materia de ventilación.



PRECAUCIÓN:
ESTE APARATO
DEBE UTILIZARSE
ÚNICAMENTE PARA
COCINAR. NO DEBE
UTILIZARSE PARA
OTROS FINES, POR
EJEMPLO, COMO
CALEFACCIÓN.

- No coloque sartenes u ollas en la placa que sobrepasen los bordes de la misma.



PRECAUCIÓN:
EL USO DE UN
APARATO DE
COCINA A GAS
GENERA CALOR,
HUMEDAD Y GASES
DE COMBUSTIÓN
EN LA HABITACIÓN
EN LA QUE ESTÁ
INSTALADO.

- Asegúrese de que la cocina esté bien ventilada, especialmente cuando esté utilizando el aparato: no obstruya las aberturas de ventilación naturales, o instale un dispositivo de ventilación mecánica (campana extractora mecánica).

- Utilice siempre utensilios de cocina con fondo plano cuando cocine.
- No utilice nunca utensilios de cocina con un diámetro mayor que el de la zona de cocción.
- Este aparato debe instalarse de acuerdo con la normativa vigente, y utilizarse exclusivamente en espacios bien ventilados.
- Lea las instrucciones antes de instalar o utilizar este aparato.



PRECAUCIÓN:
ESTE APARATO NO
PERMITE EL USO
DE UN PROTECTOR
DE PLACA. NO
INTENTE COLOCAR
NI UTILIZAR UN
PROTECTOR
DE PLACA, YA
QUE PODRÍAN
PRODUCIRSE
ACCIDENTES.



PRECAUCIÓN:
ESTA PLACA TIENE
UNA SUPERFICIE
DE COCCIÓN DE
CRISTAL. EN CASO
DE CUALQUIER
ROTURA DEL
CRISTAL:

- Detenga el uso del aparato inmediatamente.
- Apague todos los quemadores de gas.
- Apague la placa de gas en la fuente de alimentación eléctrica.
- No toque la superficie del cristal.

Conexión del gas



ADVERTENCIA: LA CONEXIÓN DE LA COCINA A LA RED DE GAS O LA BOMBONA DE GAS DEBE REALIZARSE MEDIANTE UN TUBO DE ACERO O DE COBRE RÍGIDO CON ACCESORIOS CONFORMES CON LAS NORMATIVAS LOCALES.

ESTA OPERACIÓN DEBE REALIZARLA UN INSTALADOR DE GAS CUALIFICADO.

- La placa cuenta con un codo de conexión preinstalado. Este codo termina en una rosca de conexión BSP externa de 1/2" que cumple con la norma ISO 228-1:2003. La conexión que se realice en el codo preinstalado DEBE ser la adecuada para la rosca. Si se utiliza cualquier otro tipo de conexión o tamaño de rosca, DEBE instalarse un adaptador adecuado.
- El instalador de gas cualificado debe comprobar que los quemadores funcionan correctamente antes de su uso.



PRECAUCIÓN: LA CONEXIÓN DEL GAS DEBE INSTALARSE DE ACUERDO CON LAS NORMATIVAS APLICABLES EN EL PAÍS DONDE SE INSTALE.

Requisitos del suministro de gas

- La instalación del aparato debe realizarse de acuerdo con las normativas locales aplicables.
- La instalación debe llevarla a cabo un instalador de aparatos de gas autorizado y debe probarse de acuerdo con la normativa local.
- No estamos autorizados legalmente para ofrecer asesoramiento sobre la instalación de aparatos de gas a personal no cualificado.

Ventilación

- Este aparato no debe conectarse a un dispositivo de evacuación de gases de combustión. Debe conectarse e instalarse de conformidad con la normativa local de instalación, prestando especial atención a los requisitos pertinentes en materia de ventilación.

¿Qué debe hacer si huele a gas?



PRECAUCIÓN:

- No intente encender ningún aparato.
- No toque ningún interruptor eléctrico.
- No utilice teléfonos en el edificio.
- Llame inmediatamente a su proveedor de gas desde un lugar diferente.



ADVERTENCIA: LEA LAS INSTRUCCIONES ANTES DE UTILIZAR EL APARATO. ESTE APARATO DEBE ESTAR CONECTADO A TIERRA. ESTA PLACA DEBE INSTALARLA UN PROFESIONAL CUALIFICADO.

Conexión eléctrica

Toda instalación deberá ser realizada por un electricista cualificado. Antes de conectar la corriente eléctrica, asegúrese de que la tensión de la red se corresponde con la indicada en la placa de especificaciones técnicas.

Conexión directa

El aparato debe conectarse directamente a la red eléctrica mediante un disyuntor omnipolar con una apertura mínima de 3 mm entre los contactos. El instalador debe garantizar una conexión eléctrica correcta y que cumpla con el esquema de cableado. El cable no debe doblarse ni comprimirse. Compruebe regularmente el cable de alimentación en busca de daños. Si el cable de alimentación está dañado, debe ser sustituido por el fabricante, su distribuidor local o una persona de cualificación similar para evitar situaciones de peligro.



ADVERTENCIA: ESTE ES UN APARATO DE CLASE I Y DEBE CONECTARSE A TIERRA.

- Este aparato se suministra con un cable de alimentación de 3 hilos con los siguientes colores:

Marrón = L o fase

Azul = N o neutro

Verde y amarillo = E o tierra 

Este aparato debe conectarse directamente a la unidad de consumo con un dispositivo de corriente residual (RCD) de 3 amperios a modo de protección del circuito.

Para evitar los riesgos que existen cuando se utiliza un aparato eléctrico, es importante instalar correctamente el dispositivo y leer atentamente las instrucciones de seguridad para evitar un uso incorrecto y cualquier peligro. Conserve este manual de instrucciones para consultarlo en el futuro y entréguelo a cualquier propietario posterior. Después de desembalar el aparato, compruebe que no esté dañado. En caso de duda, no utilice el aparato y póngase en contacto con el servicio de atención al cliente; consulte los detalles al final de la sección Cuidado y mantenimiento.

El fabricante rechaza toda responsabilidad por las lesiones personales o daños materiales que resulten de la instalación inadecuada o incorrecta del aparato. Las instalaciones eléctricas permanentes deben cumplir con las normas de instalación vigentes en su país y, por su propia seguridad, deben realizarlas electricistas o contratistas cualificados.

Datos técnicos

Placa de gas sobre panel de cristal, 4 fuegos, 60 cm

Tensión de alimentación:	220-240 V~ 50 Hz
Entrada de calor total (gas natural):	7.5 kW
Entrada de calor total (GLP):	7.5 kW (545 g/h)
Potencia eléctrica:	5.2W
Dimensiones externas (An. x Al. x Fon.):	590 x 72 x 510 mm
Peso neto:	14.4 kg

Tabla de inyectores

Categoría del gas

UK e IE: I12H3+ (G20 de 20 mbar, G30 de 28-30 mbar, G31 de 37 mbar)

FR: I12E+3+ (G20 de 20 mbar, G25 de 25 mbar, G30 de 28-30 mbar, G31 de 37 mbar)

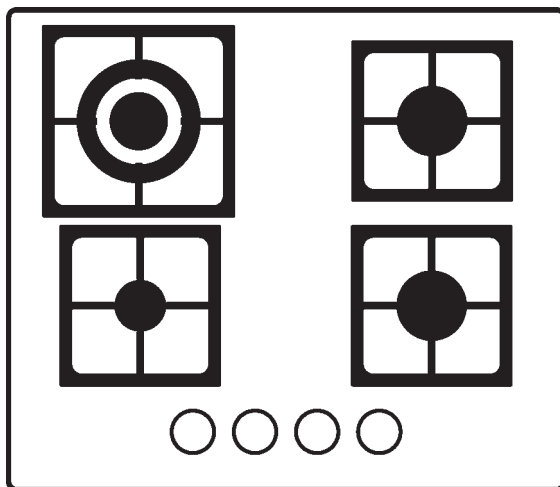
ES Y PT: I12H3+ (G20 de 20 mbar, G30 de 28-30 mbar, G31 de 37 mbar)

RO: I12H3B/P (G20 de 20 mbar, G30 de 30 mbar, G31 de 30 mbar)

PL: I12ELs3B/P (G20 de 20 mbar, G2.350 de 13 mbar, G30 de 37 mbar, G31 de 37 mbar)

Tipo de gas utilizado	Tipo de quemador	Marcado de inyector	Flujo térmico nominal en kW	Consumo nominal	Capacidad de calentamiento reducida en kW	Presión nominal del gas (mbar)
GAS NATURAL (Methane) G20	Auxiliar	0.74	1	95 l/h	0.28	20
	Semirrápido	0.98	1.75	167 l/h	0.49	
	Wok	1.24	3	286 l/h	1.2	
GAS NATURAL (Methane/ Nitrogen) G25	Auxiliar	0.74	1	110 l/h	0.28	25
	Semirrápido	0.98	1.75	194 l/h	0.49	
	Wok	1.24	3	332 l/h	1.2	
GAS NATURAL (Methane/ Nitrogen) G2.350	Auxiliar	1.0	1	132 l/h	0.28	13
	Semirrápido	1.30	1.75	232 l/h	0.49	
	Wok	1.70	3	397 l/h	1.2	
GAS LICUADO DE PETRÓLEO (Butane/ Propane) G30/ G31	Auxiliar	0.51	1	73 g/h	0.28	28-30/30
	Semirrápido	0.69	1.75	127 g/h	0.49	
	Wok	0.88	3	218 g/h	1.2	
GAS LICUADO DE PETRÓLEO (Butane) G30	Auxiliar	0.50	1	73 g/h	0.28	37
	Semirrápido	0.63	1.75	127 g/h	0.49	
	Wok	0.84	3	218 g/h	1.2	
GAS LICUADO DE PETRÓLEO (Propane) G31	Auxiliar	0.51	1	71 g/h	0.28	37
	Semirrápido	0.69	1.75	125 g/h	0.49	
	Wok	0.88	3	214 g/h	1.2	

Placa de gas sobre panel de cristal, 4 fuegos, 60 cm



Quemador	Diámetro mínimo de olla o sartén (cm)	Diámetro máximo de olla o sartén (cm)
Auxiliar	≥ 10	≤ 14
Semirrápido	≥ 16	≤ 20
Anillo triple	≥ 24	≤ 28

Eficiencia energética

Información del producto de acuerdo con la norma UE 66/2014

Identificación del modelo		GH60GASLK
Tipo de placa		Placa integrada
Número de quemadores de gas		4
Eficiencia energética por quemador de gas (EE gas burner)	Auxiliar	No aplicable
	Anillo triple	59.5%
	Semirrápido	64.2% x 2
Eficiencia energética de la placa de gas (EE gas hob)		62.6%

EN 30-2-1: Aparatos domésticos de cocción que utilizan combustibles gaseosos - Parte 2-1: Uso racional de la energía - General

Datos técnicos

Placa de gas sobre panel de cristal, 5 fuegos, 70 cm

Tensión de alimentación:	220-240 V~ 50 Hz
Entrada de calor total (gas natural):	10 kW
Entrada de calor total (GLP):	10 kW (728 g/h)
Potencia eléctrica:	6.5W
Dimensiones externas (An. x Al. x Fon.):	700 x 72 x 510 mm
Peso neto:	16.8 kg

Tabla de inyectores

Categoría del gas

UK e IE: I12H3+ (G20 de 20 mbar, G30 de 28-30 mbar, G31 de 37 mbar)

FR: I12E+3+ (G20 de 20 mbar, G25 de 25 mbar, G30 de 28-30 mbar, G31 de 37 mbar)

ES Y PT: I12H3+ (G20 de 20 mbar, G30 de 28-30 mbar, G31 de 37 mbar)

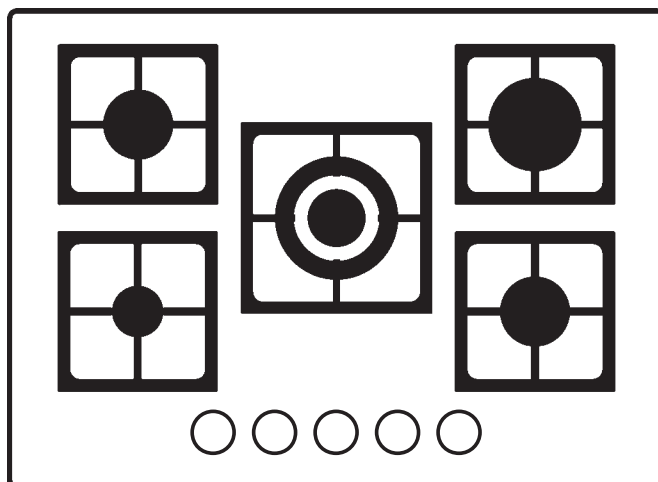
RO: I12H3B/P (G20 de 20 mbar, G30 de 30 mbar, G31 de 30 mbar)

PL: I12ELs3B/P (G20 de 20 mbar, G2.350 de 13 mbar, G30 de 37 mbar, G31 de 37 mbar)

Tipo de gas utilizado	Tipo de quemador	Marcado de inyector	Flujo térmico nominal en kW	Consumo nominal	Capacidad de calentamiento reducida en kW	Presión nominal del gas (mbar)
GAS NATURAL (Methane) G20	Auxiliar	0.74	1	95 l/h	0.28	20
	Semirrápido	0.98	1.75	167 l/h	0.49	
	Rápido	1.14	2.5	238 l/h	0.75	
	Wok	1.24	3	286 l/h	1.2	
GAS NATURAL (Methane/ Nitrogen) G25	Auxiliar	0.74	1	110 l/h	0.28	25
	Semirrápido	0.98	1.75	194 l/h	0.49	
	Rápido	1.14	2.5	277 l/h	0.75	
	Wok	1.24	3	332 l/h	1.2	
GAS NATURAL (Methane/ Nitrogen) G2.350	Auxiliar	1.0	1	132 l/h	0.28	13
	Semirrápido	1.30	1.75	232 l/h	0.49	
	Rápido	1.54	2.5	331 l/h	0.75	
	Wok	1.70	3	397 l/h	1.2	

Tipo de gas utilizado	Tipo de quemador	Marcado de inyector	Flujo térmico nominal en kW	Consumo nominal	Capacidad de calentamiento reducida en kW	Presión nominal del gas (mbar)
GAS LICUADO DE PETRÓLEO (Butane/ Propane) G30/ G31	Auxiliar	0.51	1	73 g/h	0.28	28-30/30
	Semirrápido	0.69	1.75	127 g/h	0.49	
	Rápido	0.81	2.5	182 g/h	0.75	
	Wok	0.88	3	218 g/h	1.2	
GAS LICUADO DE PETRÓLEO (Butane) G30	Auxiliar	0.50	1	73 g/h	0.28	37
	Semirrápido	0.63	1.75	127 g/h	0.49	
	Rápido	0.76	2.5	182 g/h	0.75	
	Wok	0.84	3	218 g/h	1.2	
GAS LICUADO DE PETRÓLEO (Propane) G31	Auxiliar	0.51	1	71 g/h	0.28	37
	Semirrápido	0.69	1.75	125 g/h	0.49	
	Rápido	0.81	2.5	238 g/h	0.75	
	Wok	0.88	3	214 g/h	1.2	

Placa de gas sobre panel de cristal, 5 fuegos, 70 cm



Quegador	Diámetro mínimo de olla o sartén (cm)	Diámetro máximo de olla o sartén (cm)
Auxiliar	> 10	< 14
Semirrápido	> 16	< 20
Rapido	> 20	< 24
Anillo triple	> 24	< 28

Eficiencia energética

Información del producto de acuerdo con la norma UE 66/2014

Identificación del modelo		GH70GASLK
Tipo de placa		Placa integrada
Número de quemadores de gas		5
Eficiencia energética por quemador de gas (EE gas burner)	Auxiliar	No aplicable
	Anillo triple	59.3%
	Rápido	62.5%
	Semirrápido	64.2%x2
Eficiencia energética de la placa de gas (EE gas hob)		62.5%

EN 30-2-1: Aparatos domésticos de cocción que utilizan combustibles gaseosos - Parte 2-1: Uso racional de la energía - General

Reciclaje y eliminación



Los residuos procedentes de equipos eléctricos y electrónicos (RAEE) no deben desecharse con la basura doméstica.

■ Deben reciclarse donde existan instalaciones destinadas a tal fin. Consulte con la autoridad gubernamental local, con los servicios de recogida de desechos domésticos o con el distribuidor que le vendió el producto para obtener información sobre su reciclaje.

El símbolo de un cubo de basura con ruedas tachado en el producto o en su embalaje indica que no se puede tratar como basura doméstica normal. Este producto se debe depositar en un punto de reciclaje de aparatos eléctricos y electrónicos. Asegurarse de que este producto se desecha correctamente ayudará a evitar posibles consecuencias negativas para el medio ambiente y la salud pública que pueden ocurrir si no se recicla de forma adecuada.

Garantía

Nos ocupamos especialmente en seleccionar materiales de alta calidad y usar técnicas de fabricación que nos permitan crear productos que aporten diseño y durabilidad. Este producto Placa de gas sobre encimera de cristal tiene una garantía del fabricante de 2 años frente a defectos de fabricación, a partir de la fecha de adquisición (si se adquiere en una tienda) o de entrega (si se adquiere por Internet), sin coste adicional para uso normal doméstico (ni profesional ni comercial).

Para presentar una reclamación en el marco de esta garantía, deberá presentar el comprobante de compra (como un recibo, factura de compra u otras pruebas admisibles en virtud de la ley aplicable); conserve su comprobante de compra en un lugar seguro. Para poder acogerse a esta garantía, el producto adquirido deberá ser nuevo; la garantía no se aplicará a productos de segunda mano o productos de exposición.

A menos que la legislación vigente indique lo contrario, todo producto de sustitución entregado conforme a esta garantía estará cubierto solo hasta la fecha de vencimiento de la garantía original.

La presente garantía cubre los fallos y anomalías del producto siempre y cuando este se haya utilizado para los fines para los que está destinado y que su instalación, limpieza, cuidado y mantenimiento se hayan efectuado de conformidad tanto con la información descrita en estos términos y condiciones y en el manual del usuario, como con la práctica habitual, siempre y cuando esta no entre en conflicto con el contenido del manual de usuario.

Esta garantía no cubre defectos ni daños causados por el desgaste normal, ni daños que pudiesen ser resultado de usos indebidos, instalaciones o montajes deficientes, negligencia, accidente, uso indebido o modificación del producto. A menos que se indique lo contrario en la ley aplicable, esta garantía no cubre, bajo ningún concepto, los gastos accesorios (transporte, movimiento, costes de desinstalación y reinstalación, mano de obra, etc.) ni los daños directos o indirectos.

Si el producto es defectuoso, procederemos, en un plazo razonable, a su reparación.

Los derechos en virtud de esta garantía tendrán vigencia en el país donde haya adquirido el producto. Las consultas relacionadas con la garantía deberán dirigirse a la tienda en la que adquirió el producto. La garantía es complementaria y no afecta a sus derechos legales.

Si adquirió este producto en España, el distribuidor será responsable de las faltas de conformidad del producto según las disposiciones establecidas en los artículos 114 a 124 del Real Decreto Legislativo 1/2007, con fecha del 16 de noviembre, por el que se aprueba el texto refundido de la Ley General para la Defensa de los Consumidores y Usuarios y otras leyes complementarias.

**IMPORTANTE –
GUARDE ESTA
INFORMACIÓN
PARA FUTURAS
CONSULTAS: LEA
ATENTAMENTE.**

PT Antes de começar

- Para evitar os riscos que estão sempre presentes quando utiliza um aparelho a gás, é importante que este aparelho esteja instalado corretamente e que leia cuidadosamente as instruções de segurança para evitar usos indevidos e perigos.
- Guarde este manual de instruções para consulta futura e entregue-o a futuros proprietários. Depois de desembalar o aparelho, verifique se não está danificado. Em caso de dúvida, não utilize o aparelho. Entre em contacto com o serviço de atendimento ao cliente através do número 800 814 566.
- Verifique a embalagem e certifique-se de que dispõe de todas as peças indicadas.
- Escolha o local adequado para o produto.
- A placa de especificações está disponível neste aparelho. Esta placa apresenta todas as informações de identificação necessárias para encomendar peças de substituição. Se vender o aparelho, o oferecer

ou deixar para o próximo morador quando mudar de casa, certifique-se de que entrega este manual, para que o novo proprietário se possa familiarizar com o aparelho e os respetivos avisos de segurança.

Segurança

Estas instruções são para sua segurança. Leia-as atentamente antes de instalar e guarde-as para referência futura.




AVISO: A LIGAÇÃO DA PLACA À REDE DE GÁS OU AO CILINDRO DE GÁS TEM DE SER EFETUADA ATRAVÉS DE UM TUBO DE AÇO OU COBRE RÍGIDO COM FIXAÇÕES EM CONFORMIDADE COM OS REGULAMENTOS LOCAIS.

ESTA OPERAÇÃO TEM DE SER EFETUADA POR UM TÉCNICO DE INSTALAÇÃO DE GÁS QUALIFICADO.

- Este aparelho cumpre toda a legislação europeia atual relativa a segurança; no entanto, o fabricante tem de realçar que este cumprimento não evita que as superfícies do aparelho aqueçam durante a utilização e que permaneçam quentes durante o funcionamento.
- As peças acessíveis podem ficar muito quentes durante a utilização. Devem ficar longe do alcance das crianças.
- Tenha cuidado para evitar tocar no aparelho quando este está quente.
- O fabricante recomenda vivamente que este aparelho seja mantido fora do alcance de bebés e crianças pequenas.
- Este aparelho pode ser utilizado por crianças com idade igual ou superior a 8 anos e por pessoas com capacidades físicas, sensoriais ou mentais reduzidas, ou com falta de experiência e conhecimento, caso lhes seja disponibilizada supervisão ou instruções relativas à utilização segura do aparelho e se tiverem sido alertadas para os perigos envolvidos.

- As crianças não devem brincar com o aparelho.
- A limpeza e a manutenção por parte do utilizador não devem ser feitas por crianças, a não ser que tenham mais de 8 anos e sejam devidamente supervisionadas.
- Mantenha o aparelho e o respetivo cabo fora do alcance de crianças com menos de 8 anos de idade.
- A cablagem fixa tem de incluir meios incorporados para isolar o aparelho, de acordo com os regulamentos atuais sobre cablagem. É necessário ligar na cablagem fixa um disjuntor omnipolar com separação de contactos de pelo menos 3 mm em todos os polos.
- Se o cabo de alimentação estiver danificado, este deve ser substituído pelo fabricante, pelo respetivo técnico de assistência ou por pessoal devidamente qualificado a fim de evitar situações de perigo.
- Certifique-se de que o cabo de alimentação não fica preso debaixo ou dentro do aparelho e evite danificar o cabo de alimentação.
- Não permita que os cabos elétricos entrem em contacto com as partes quentes do aparelho.
- Não instale o aparelho no exterior, numa zona húmida ou numa área propícia a fugas de água, tal como por baixo ou perto de uma unidade de lava-loiça. Na eventualidade de ocorrer uma fuga de água, deixe a unidade secar naturalmente.
- Descarte o material da embalagem cuidadosamente.
- Não utilize sprays inflamáveis nas proximidades do aparelho.
- Recomenda-se também muito cuidado durante a utilização e a limpeza. Leia cuidadosamente as secções de limpeza e manutenção deste aparelho.
- Não utilize um dispositivo de limpeza a vapor.
- O aparelho não se destina a ser utilizado por meio de um temporizador externo ou um sistema de controlo remoto em separado.
- O aparelho é apenas para uso doméstico.

- Após uma zona de cozedura ter estado ligada durante um longo período, a superfície permanece quente durante algum tempo, por isso não toque na superfície metálica.
- Não guarde detergentes nem materiais inflamáveis sob a placa.
- Não deixe óleos quentes ou gorduras sem vigilância, uma vez que podem ser expostos a luz.
- O fabricante está isento de qualquer responsabilidade por danos pessoais ou materiais resultantes da utilização indevida ou instalação incorreta deste aparelho.

 **AVISO! A COZEDURA SEM VIGILÂNCIA NUMA PLACA COM GORDURA OU ÓLEO PODE SER PERIGOSA E PODE RESULTAR EM INCÊNDIOS.**

- Nunca tente extinguir incêndios com água; desligue o aparelho e cubra as chamas com uma tampa ou uma manta ignífuga.



AVISO! RISCO DE INCÊNDIO! NÃO ARMAZENE ITENS SOBRE AS SUPERFÍCIES DE COZEDURA.

- Antes da instalação, certifique-se de que as condições de distribuição local (natureza e pressão do gás) e o ajuste do aparelho são compatíveis.
- As condições de regulação deste aparelho são indicadas na etiqueta (ou na placa de dados).
- Este aparelho não está ligado a um dispositivo de evacuação de produtos de combustão.
- Tem de ser instalado e ligado em conformidade com os regulamentos atuais de instalação. É necessário prestar especial atenção aos requisitos de ventilação relevantes.



ATENÇÃO: ESTE APARELHO DESTINA-SE APENAS A FINS CULINÁRIOS. NÃO PODE SER UTILIZADO PARA OUTROS FINS,

TAIS COMO O AQUECIMENTO DE DIVISÕES.

- Não coloque recipientes de cozinha sobre a placa de aquecimento que se sobreponham às suas extremidades.



ATENÇÃO: A UTILIZAÇÃO DE UM APARELHO DE COZINHA A GÁS EMITE CALOR, HUMIDADE E PRODUTOS DE COMBUSTÃO NA DIVISÃO EM QUE ESTÁ INSTALADO.

- Certifique-se de que a cozinha está bem ventilada, especialmente quando o aparelho está a ser utilizado: mantenha os orifícios de ventilação natural abertos ou instale um dispositivo de ventilação mecânica (exaustor de extração mecânica).
- Utilize sempre utensílios de fundo plano quando estiver a cozinhar.
- Nunca utilize utensílios com um diâmetro superior ao da zona de cozedura.

- Este aparelho tem de ser instalado de acordo com os regulamentos em vigor e só pode ser utilizado num espaço bem ventilado.
- Leia as instruções antes de instalar ou utilizar este aparelho.



ATENÇÃO: ESTE APARELHO NÃO É COMPATÍVEL COM A UTILIZAÇÃO DE PROTEÇÕES PARA PLACAS. NÃO TENHA TENTADO MONTAR OU UTILIZAR UMA PROTEÇÃO PARA PLACAS, UMA VEZ QUE TAL PODE PROVOCAR ACIDENTES.



ATENÇÃO: ESTA PLACA POSSUI UMA SUPERFÍCIE DE COZEDURA DE VIDRO. EM CASO DE QUEBRA DO VIDRO:

- Pare imediatamente a utilização do aparelho.
- Desligue todos os queimadores a gás.

- Desligue a placa a gás da fonte de alimentação elétrica.
- Não toque na superfície de vidro.

Ligação de gás



AVISO: A LIGAÇÃO DA PLACA À REDE DE GÁS OU AO CILINDRO DE GÁS TEM DE SER EFETUADA ATRAVÉS DE UM TUBO DE AÇO OU COBRE RÍGIDO COM FIXAÇÕES EM CONFORMIDADE COM OS REGULAMENTOS LOCAIS.

ESTA OPERAÇÃO TEM DE SER EFETUADA POR UM TÉCNICO DE INSTALAÇÃO DE GÁS QUALIFICADO.

- Existe um cotovelo de ligação pré-ligado na placa. Este cotovelo termina numa rosca de ligação externa BSP de 1/2" em conformidade com a norma ISO 228-1:2003. A ligação efetuada no cotovelo pré-montado TEM DE ser adequada para o ligar à rosca. Se for utilizado QUALQUER outro tipo de ligação ou tamanho de rosca, é OBRIGATÓRIO instalar um adaptador adequado.
- O técnico de instalação de gás qualificado tem de garantir que o funcionamento dos queimadores foi corretamente verificado antes da utilização.



ATENÇÃO: A LIGAÇÃO DE GÁS TEM DE SER INSTALADA EM CONFORMIDADE COM OS REGULAMENTOS APLICÁVEIS NO PAÍS DE INSTALAÇÃO.

Requisitos de fornecimento de gás

- A instalação do aparelho tem de ser efetuada de acordo com os regulamentos locais relevantes.
- A instalação tem de ser realizada por um instalador de aparelhos a gás autorizado e testada de acordo com os regulamentos locais.
- Não estamos legalmente autorizados a disponibilizar aconselhamento sobre a instalação de aparelhos de gás a pessoal não autorizado.

Ventilação

- Este aparelho não pode ser ligado a um dispositivo de evacuação de produtos de combustão. Deve ser ligado e instalado de acordo com os regulamentos de instalação local, prestando especial atenção aos requisitos relevantes sobre ventilação.

O que fazer se cheirar gás?



ATENÇÃO:

- Não tente ligar qualquer aparelho.
- Não toque em nenhum interruptor elétrico.
- Não use telefones no edifício.
- Telefone imediatamente ao seu fornecedor de gás a partir de outro edifício.



AVISO: LEIA AS INSTRUÇÕES ANTES DE UTILIZAR O APARELHO. ESTE APARELHO TEM DE SER LIGADO À TERRA. ESTA PLACA TEM DE SER INSTALADA POR UM TÉCNICO DE INSTALAÇÃO DE GÁS QUALIFICADO!

Ligação elétrica

A instalação tem de ser efetuada por um electricista qualificado. Antes de ligar à rede elétrica, certifique-se de que a tensão da rede corresponde à tensão na placa de classificação.

Ligação direta

O aparelho tem de ser ligado diretamente à rede elétrica através de um disjuntor omipolar com uma abertura mínima de 3 mm entre os contactos. O responsável pela instalação tem de garantir que foi realizada a ligação elétrica correta e que esta está em conformidade com o diagrama da cablagem. O cabo não pode ser dobrado nem comprimido. Verifique regularmente se existem danos no cabo elétrico. Se o cabo de alimentação ficar danificado, tem de ser substituído pelo fabricante, pelo seu fornecedor de assistência técnica ou por uma pessoa qualificada de modo a evitar perigos.



WARNING: THIS IS A CLASS I APPLIANCE AND MUST BE EARTHED.

- Este aparelho é fornecido com um cabo de alimentação de 3 núcleos, colorido da seguinte forma:

Castanho = L ou sob tensão

Azul = N ou neutro

Verde e amarelo = E ou terra (⊕)

Este aparelho deve ser ligado diretamente ao contador elétrico com um disjuntor diferencial residual (DDR) de 3 A que proteja o circuito.

Para evitar os riscos que estão sempre presentes quando utiliza um aparelho elétrico, é importante que este aparelho esteja instalado corretamente e que leia as instruções de segurança cuidadosamente para evitar utilizações indevidas e perigos. Guarde este manual de instruções para consulta futura e entregue-o a futuros proprietários. Depois de desembalar o aparelho, verifique se não está danificado. Em caso de dúvida, não utilize o aparelho e entre em contacto com o serviço de atendimento ao cliente.

O fabricante está isento de qualquer responsabilidade por danos pessoais ou materiais resultantes de uma instalação incorreta ou inadequada do aparelho. Qualquer instalação elétrica permanente deve estar em conformidade com a mais recente regulamentação aplicável a cablagem para o seu país e, para a sua própria segurança, a instalação elétrica tem de ser efetuada por um electricista qualificado ou um empreiteiro.

Dados técnicos

Placa de vidro a gás com 4 queimadores de 60 cm

Tensão elétrica:	220-240 V~ 50 Hz
Entrada de calor total (gás natural):	7.5 kW
Entrada de calor total (GPL):	7.5 kW (545 g/h)
Energia elétrica:	5.2W
Dimensões externas (Larg. x Alt. x Prof.):	590 x 72 x 510 mm
Peso líquido:	14.4 kg

Tabela de injetores

Categoria de gás

REINO UNIDO E IRLANDA: I12H3+ (G20: 20 mbar, G30: 28-30 mbar, G31: 37 mbar)

FR: I12E+3+ (G20 20 mbar, G25 25 mbar, G30 28-30 mbar, G31 37 mbar)

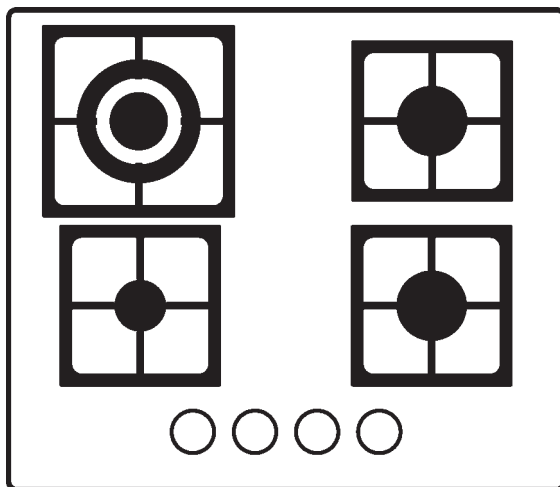
ES e PT: I12H3+ (G20: 20 mbar, G30: 28-30 mbar, G31: 37 mbar)

RO: I12H3B/P (G20: 20 mbar, G30: 30 mbar, G31: 30 mbar)

PL: I12ELs3B/P (G20: 20 mbar, G2.350: 13 mbar, G30: 37 mbar, G31: 37 mbar)

Tipo de gás utilizado	Tipo de queimador	Marca de injetor	Taxa de fluxo térmico nominal kW	Consumo nominal	Capacidade térmica reduzida kW	Classificação da pressão de gás (mbar)
GÁS NATURAL (Metano) G20	Auxiliar	0.74	1	95 lt/h	0.28	20
	Semirrápido	0.98	1.75	167 lt/h	0.49	
	Wok	1.24	3	286 lt/h	1.2	
GÁS NATURAL (Metano/nitrogénio) G25	Auxiliar	0.74	1	110 lt/h	0.28	25
	Semirrápido	0.98	1.75	194 lt/h	0.49	
	Wok	1.24	3	332 lt/h	1.2	
GÁS NATURAL (Metano/nitrogénio) G2.350	Auxiliar	1.0	1	132 lt/h	0.28	13
	Semirrápido	1.30	1.75	232 lt/h	0.49	
	Wok	1.70	3	397 lt/h	1.2	
GÁS DE PETRÓLEO LIQUEFEITO (Butano/propano) G30/G31	Auxiliar	0.51	1	73 g/h	0.28	28-30/30
	Semirrápido	0.69	1.75	127 g/h	0.49	
	Wok	0.88	3	218 g/h	1.2	
GÁS DE PETRÓLEO LIQUEFEITO (Butano) G30	Auxiliar	0.50	1	73 g/h	0.28	37
	Semirrápido	0.63	1.75	127 g/h	0.49	
	Wok	0.84	3	218 g/h	1.2	
GÁS DE PETRÓLEO LIQUEFEITO (Propano) G31	Auxiliar	0.51	1	71 g/h	0.28	37
	Semirrápido	0.69	1.75	125 g/h	0.49	
	Wok	0.88	3	214 g/h	1.2	

Placa de vidro a gás com 4 queimadores de 60 cm



Queimador	Diâmetro mínimo da panela (cm)	Diâmetro máximo da panela (cm)
Auxiliar	≥ 10	≤ 14
Semirrápido	≥ 16	≤ 20
Anel triplo	≥ 24	≤ 28

Eficiência energética

Informações do produto de acordo com a norma UE 66/2014

Identificação do modelo		GH60GASLK
Tipo de placa		Placa de encastrar
Número de queimadores a gás		4
Eficiência energética por queimador de gás (queimador de gás EE)	Auxiliar	Not Applicable
	Triple Ring	59.5%
	Semirrápido	64.2% x 2
Eficiência energética da placa de gás (queimador a gás EE)		62.6%

EN 30-2-1: Aparelhos de cozinha domésticos a gás – Parte 2-1: Utilização racional de energia - Geral

Dados técnicos

Placa de vidro a gás com 5 queimadores de 70 cm

Tensão elétrica:	220-240 V~ 50 Hz
Entrada de calor total (gás natural):	10 kW
Entrada de calor total (GPL):	10 kW (728 g/h)
Energia elétrica:	6.5W
Dimensões externas (Larg. x Alt. x Prof.):	700 x 72 x 510 mm
Peso líquido:	16.8 kg

Tabela de injetores

Categoria de gás

REINO UNIDO E IRLANDA: I12H3+ (G20: 20 mbar, G30: 28-30 mbar, G31: 37 mbar)

FR: I12E+3+ (G20 20 mbar, G25 25 mbar, G30 28-30 mbar, G31 37 mbar)

ES e PT: I12H3+ (G20: 20 mbar, G30: 28-30 mbar, G31: 37 mbar)

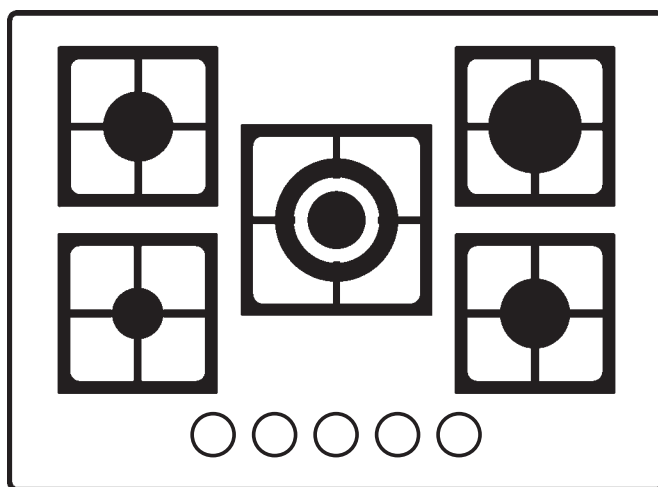
RO: I12H3B/P (G20: 20 mbar, G30: 30 mbar, G31: 30 mbar)

PL: I12ELs3B/P (G20: 20 mbar, G2.350: 13 mbar, G30: 37 mbar, G31: 37 mbar)

Tipo de gás utilizado	Tipo de queimador	Marca de injetor	Taxa de fluxo térmico nominal kW	Consumo nominal	Capacidade térmica reduzida kW	Classificação da pressão de gás (mbar)
GÁS NATURAL (Metano) G20	Auxiliar	0.74	1	95 lt/h	0.28	20
	Semirrápido	0.98	1.75	167 lt/h	0.49	
	Rápido	1.14	2.5	238 lt/h	0.75	
	Wok	1.24	3	286 lt/h	1.2	
GÁS NATURAL (Metano/ nitrogénio) G25	Auxiliar	0.74	1	110 lt/h	0.28	25
	Semirrápido	0.98	1.75	194 lt/h	0.49	
	Rápido	1.14	2.5	277 lt/h	0.75	
	Wok	1.24	3	332 lt/h	1.2	
GÁS NATURAL (Metano/ nitrogénio) G2.350	Auxiliar	1.0	1	132 lt/h	0.28	13
	Semirrápido	1.30	1.75	232 lt/h	0.49	
	Rápido	1.54	2.5	331 lt/h	0.75	
	Wok	1.70	3	397 lt/h	1.2	

Tipo de gás utilizado	Tipo de queimador	Marca de injetor	Taxa de fluxo térmico nominal kW	Consumo nominal	Capacidade térmica reduzida kW	Classificação da pressão de gás (mbar)
GÁS DE PETRÓLEO LIQUEFEITO (Butano/propano) G30/G31	Auxiliar	0.51	1	73 g/h	0.28	28-30/30
	Semirrápido	0.69	1.75	127 g/h	0.49	
	Rápido	0.81	2.5	182 g/h	0.75	
	Wok	0.88	3	218 g/h	1.2	
GÁS DE PETRÓLEO LIQUEFEITO (Butano) G30	Auxiliar	0.50	1	73 g/h	0.28	37
	Semirrápido	0.63	1.75	127 g/h	0.49	
	Rápido	0.76	2.5	182 g/h	0.75	
	Wok	0.84	3	218 g/h	1.2	
GÁS DE PETRÓLEO LIQUEFEITO (Propano) G31	Auxiliar	0.51	1	71 g/h	0.28	37
	Semirrápido	0.69	1.75	125 g/h	0.49	
	Rápido	0.81	2.5	238 g/h	0.75	
	Wok	0.88	3	214 g/h	1.2	

Placa de vidro a gás com 5 queimadores de 70 cm



Queimador	Diâmetro mínimo da panela (cm)	Diâmetro máximo da panela (cm)
Auxiliar	> 10	< 14
Semirrápido	> 16	< 20
Rápido	> 20	< 24
Anel triplo	> 24	< 28

Eficiência energética

Informações do produto de acordo com a norma UE 66/2014

Identificação do modelo		GH70GASLK
Tipo de placa		Placa de encastrar
Número de queimadores a gás		5
Eficiência energética por queimador de gás (queimador de gás EE)	Auxiliar	Not Applicable
	Triple Ring	59.3%
	Rápido	62.5%
	Semirrápido	64.2%x2
Eficiência energética da placa de gás (queimador a gás EE)		62.5%

EN 30-2-1: Aparelhos de cozinha domésticos a gás – Parte 2-1: Utilização racional de energia - Geral

Reciclagem e eliminação



Os resíduos de produtos elétricos (REEE) não devem ser eliminados com resíduos domésticos.

Recicle nas instalações adequadas, sempre que existentes. Consulte o seu representante local de autoridade governamental, serviços de eliminação de resíduos domésticos ou o revendedor onde o produto foi comprado para obter aconselhamento sobre reciclagem.

O símbolo do caixote do lixo com uma cruz por cima, impresso na embalagem, indica que este produto não pode ser eliminado com o lixo doméstico. Este produto deve ser entregue a um ponto de recolha de equipamento elétrico e eletrónico para reciclagem. Ao garantir que este produto é eliminado corretamente, está a ajudar a evitar potenciais consequências negativas para o ambiente e saúde pública, que poderiam ocorrer caso este produto não fosse tratado devidamente.

Garantia

Empenhamo-nos especialmente na seleção cuidada de materiais de elevada qualidade e utilizamos técnicas de fabrico que nos permitem criar produtos que incorporam design e durabilidade. Este produto Placa de vidro a gás tem uma garantia do fabricante de 2 anos contra defeitos de fabrico, a partir da data de compra (se comprado na loja) ou data de entrega (se comprado online), sem custo adicional para uso doméstico normal (não profissional ou comercial)

Para apresentar uma reclamação ao abrigo desta garantia, é necessário apresentar a prova de compra (tal como um recibo, uma fatura de compra ou outra prova admissível em conformidade com a lei em vigor). Mantenha o comprovativo de compra num lugar seguro. Para esta garantia se aplicar, o produto comprado tem de ser novo; não se aplica a produtos em segunda mão ou a produtos de exibição. Salvo disposição em contrário na lei em vigor, a garantia de qualquer produto de substituição expira no final do período da garantia do produto original.

Esta garantia cobre defeitos e falhas de produto, desde que o produto tenha sido utilizado para o fim a que se destina e tenha sido sujeito à instalação, limpeza, manutenção e a cuidados de acordo com as informações contidas nestes termos e condições, no manual do utilizador e na prática padrão, desde que a mesma não contrarie o manual de utilizador.

Esta garantia não cobre defeitos e danos causados pelo desgaste normal, nem danos que possam resultar de utilização indevida, instalação ou montagem incorreta, negligência, acidentes, utilizações indevidas ou modificações do produto. Salvo disposição em contrário na lei em vigor, esta garantia não abrange, em caso algum, custos auxiliares (expedição, deslocação, custos de desinstalação e reinstalação, mão-de-obra, etc), ou danos diretos e indiretos.

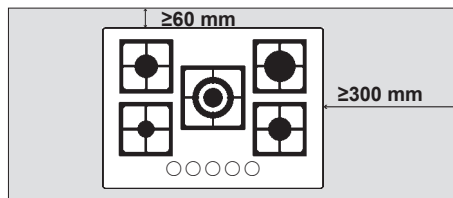
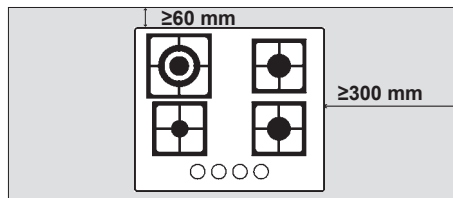
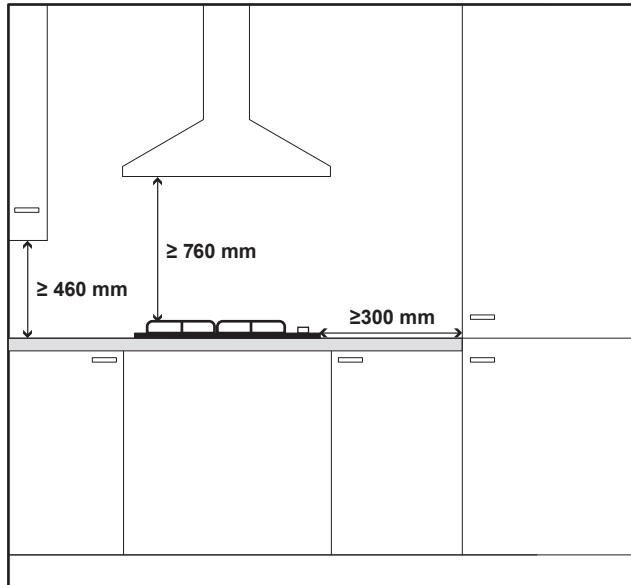
Se o produto apresentar algum defeito, iremos, dentro de um prazo razoável, reparar.

Os direitos no âmbito desta garantia têm força executiva no país onde adquiriu este produto. As questões relativas à garantia devem ser esclarecidas na loja onde adquiriu o produto. A garantia complementa e não afeta os seus direitos legais.

Se adquiriu este produto em Portugal - o distribuidor é responsável por quaisquer defeitos de conformidade do produto de acordo com os termos da lei relativa a garantias (Decreto-Lei N.º 67/2003), aditada pelo Decreto-Lei N.º 84/2008.

**IMPORTANTE –
CONSERVE
ESTE MANUAL
PARA FUTURAS
CONSULTAS: LEIA
ATENTAMENTE.**

01



EN WARNING: Good ventilation is required around the appliance for easier dissipation of heat and low power consumption. Sufficient clearance is required around the appliance as shown in the diagrams above. The gap between the hob and any cupboard or extractor above it must be at least 760 mm.

Do not install this appliance within 300 mm of a window or a sink.



WARNING: Please follow the Safety and Electrical Installation sections at the start of this manual before connecting this appliance to the mains supply!

FR AVERTISSEMENT : Une bonne ventilation est nécessaire autour de l'appareil pour faciliter la répartition de la chaleur et bénéficier d'une faible consommation d'énergie. Un dégagement suffisant est nécessaire autour de l'appareil comme indiqué sur les schémas ci-dessus. L'écart entre la plaque de cuisson et tout(e) placard ou hotte au-dessus de celle-ci doit être d'au moins 760mm.

Ne pas installer cet appareil à moins de 300mm d'une fenêtre ou d'un évier.



AVERTISSEMENT : Suivre les instructions des sections relatives à la sécurité et l'installation électrique au début de ce manuel avant de brancher cet appareil à l'alimentation secteur.

PL OSTRZEŻENIE: W celu łatwiejszego rozpraszania ciepła oraz obniżenia zużycia energii wokół urządzenia należy zapewnić dobrą wentylację. Wokół urządzenia należy pozostawić wystarczająco dużo wolnej przestrzeni, jak pokazano na powyższych rysunkach. Odstęp między płytą grzewczą a znajdującą się nad nią szafką lub okapem musi wynosić co najmniej 760 mm.

Nie instalować urządzenia w odległości mniejszej niż 300 mm od okna lub zlewozmywaka.



OSTRZEŻENIE: Przed podłączeniem urządzenia do zasilania sieciowego należy zapoznać się z rozdziałami dotyczącymi bezpieczeństwa i instalacji elektrycznej na początku niniejszej instrukcji.

RO AVERTISMENT: Este necesară o bună ventilație în jurul aparatului, pentru o disipare mai ușoară a căldurii și o reducere a consumului de energie. Asigură-te că există suficient loc liber în jurul aparatului, așa cum se arată în diagramele de mai sus. Distanța dintre plită și orice dulap sau ventilator de evacuare de deasupra ei trebuie să fie de cel puțin 760 mm.

Nu instala acest aparat la mai puțin de 300 mm de fereastră sau chiuvetă.



AVERTISMENT: Urmează instrucțiunile din secțiunile Siguranță și Instalare electrică de la începutul acestui manual înainte de a conecta aparatul la alimentarea electrică!

ES ADVERTENCIA: Es necesaria una buena ventilación alrededor del aparato para facilitar la disipación de calor y reducir el consumo de energía. Debe haber suficiente espacio libre alrededor del aparato, tal y como se muestra en los diagramas anteriores. El espacio entre la placa y cualquier armario o extractor situado encima debe ser de al menos 760 mm.

No instale este aparato a menos de 300 mm de una ventana o un fregadero.



ADVERTENCIA: Antes de conectar este aparato a la red eléctrica, siga los apartados de seguridad e instalación eléctrica que aparecen al principio de este manual.

PT AVISO: É necessária uma boa ventilação em torno do aparelho para que ocorra uma dissipação mais fácil do calor e um baixo consumo de energia. É necessário espaço suficiente em torno do aparelho, conforme indicado nas figuras acima. A folga entre a placa e o armário ou o extrator na parte superior tem de ser de, pelo menos, 760 mm.

Não instale este aparelho a 300 mm de uma janela ou de um lavatório.



AVISO: Siga as instruções constantes nas secções de Segurança e Instalação elétrica no início deste manual antes de ligar este aparelho à corrente elétrica!

2A

EN Gas on glass 4 burner hob 60cm

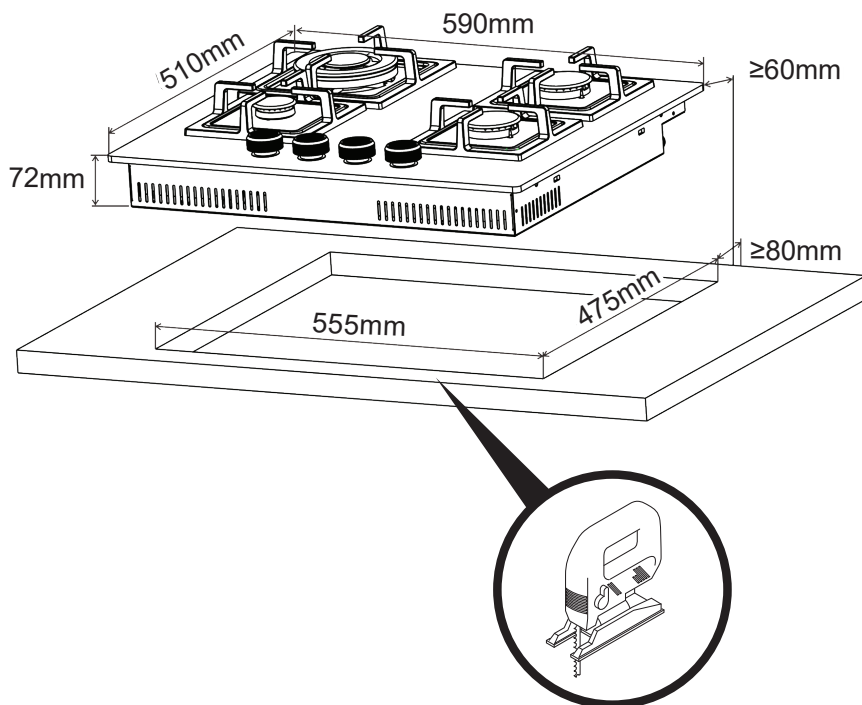
FR Plaque de cuisson au gaz avec surface en verre, 4 brûleurs, 60cm

PL Płyta gazowa szklana 4-palnikowa 60 cm

RO Plită pe gaz din sticlă cu 4 arzătoare, 60 cm

ES Placa de gas sobre panel de cristal, 4 fuegos, 60 cm

PT Placa de vidro a gás com 4 queimadores de 60 cm



EN Cut an aperture in the worktop using a jigsaw as shown. The worktop should be at least 30 mm thick and made of a heat resistant material.

FR Découper une ouverture dans le plan de travail à l'aide d'une scie sauteuse, comme indiqué. Le plan de travail doit avoir une épaisseur d'au moins 30mm et être fabriqué à partir d'un matériau résistant à la chaleur.

PL Wyciąć otwór w blacie za pomocą wyrzynarki, jak pokazano na rysunku. Blat musi mieć co najmniej 30 mm grubości i być wykonany z materiału odpornego na wysokie temperatury.

RO Decupează în blat folosind fierăstrăul, la fel ca în imagine. Blatul trebuie să aibă o grosime de cel puțin 30 mm și să fie fabricat dintr-un material termorezistent.

ES Realice una abertura en la encimera con una sierra de calar tal y como se muestra en la figura. La encimera debe tener al menos 30 mm de espesor y estar fabricada de un material resistente al calor.

PT Corte uma abertura na bancada utilizando uma serra pendular, conforme ilustrado. A bancada deve ter, no mínimo, 30 mm de espessura e deve ser feita de um material resistente ao calor.

2B

EN Gas on glass 5 burner hob 70cm

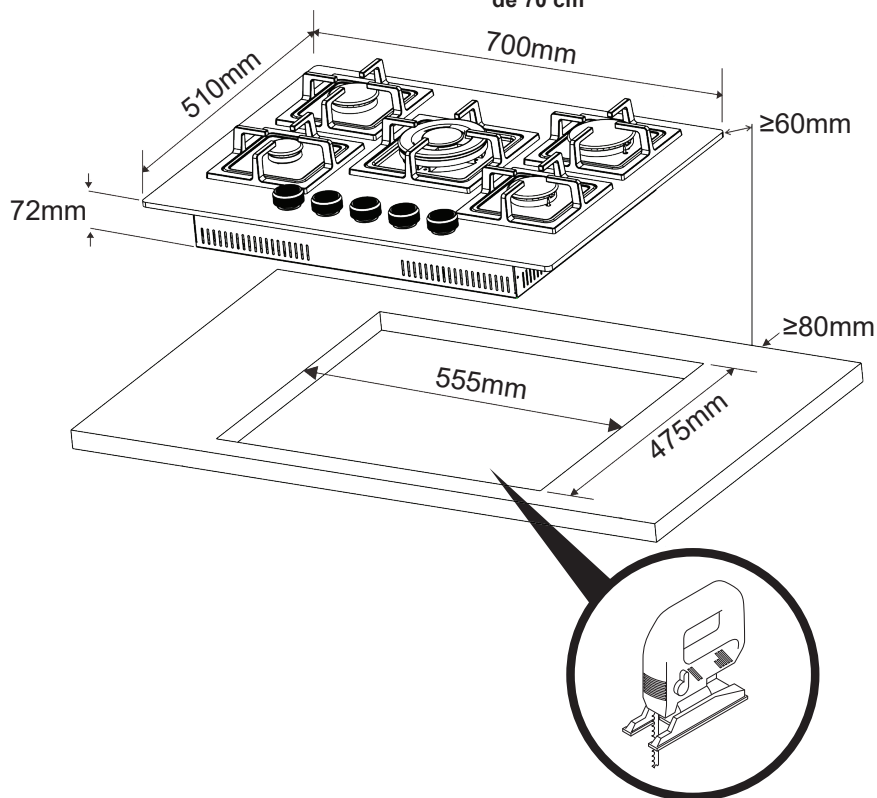
FR Plaque de cuisson au gaz avec surface en verre, 5 brûleurs, 70cm

PL Płyta gazowa szklana 5-palnikowa 70 cm

RO Plită pe gaz din sticlă cu 5 arzătoare, 70 cm

ES Placa de gas sobre panel de cristal, 5 fuegos, 70 cm

PT Placa de vidro a gás com 5 queimadores de 70 cm



EN Cut an aperture in the worktop using a jigsaw as shown. The worktop should be at least 30 mm thick and made of a heat resistant material.

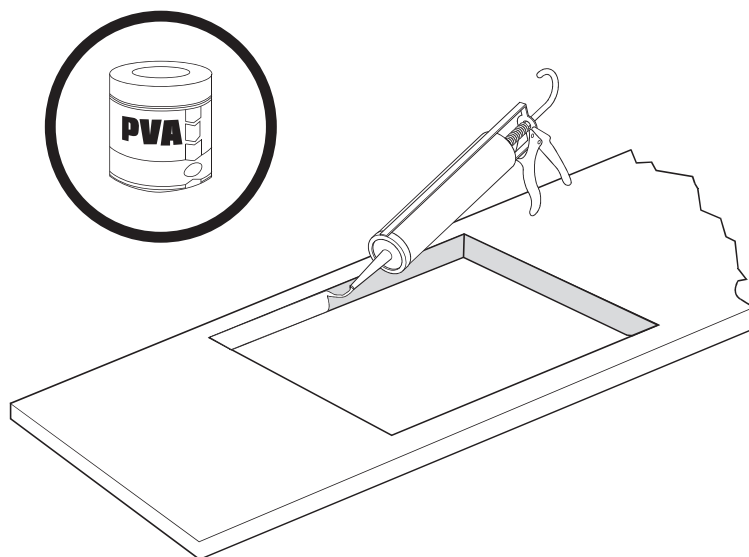
FR Découper une ouverture dans le plan de travail à l'aide d'une scie sauteuse, comme indiqué. Le plan de travail doit avoir une épaisseur d'au moins 30mm et être fabriqué à partir d'un matériau résistant à la chaleur.

PL Wyciąć otwór w blacie za pomocą wyrzynarki, jak pokazano na rysunku. Blat musi mieć co najmniej 30 mm grubości i być wykonany z materiału odpornego na wysokie temperatury.

RO Decupează în blat folosind fierăstrăul, la fel ca în imagine. Blatul trebuie să aibă o grosime de cel puțin 30 mm și să fie fabricat dintr-un material termorezistent.

ES Realice una abertura en la encimera con una sierra de calar tal y como se muestra en la figura. La encimera debe tener al menos 30 mm de espesor y estar fabricada de un material resistente al calor.

PT Corte uma abertura na bancada utilizando uma serra pendular, conforme ilustrado. A bancada deve ter, no mínimo, 30 mm de espessura e deve ser feita de um material resistente ao calor.



EN Seal the cut edge of the worktop using silicone sealant or PVA adhesive.

IMPORTANT: Ensure that either product is fully cured as per the manufacturer's instructions before you commence installation of the hob. This hob **MUST NOT** be sealed or bonded into the worktop.

FR Appliquer du mastic silicone ou de la colle PVA sur le bord découpé du plan de travail afin de l'étanchéifier.

IMPORTANT : S'assurer que l'un ou l'autre de ces produits est complètement sec en suivant les instructions du fabricant avant de commencer l'installation de la plaque de cuisson. Cette plaque de cuisson **NE DOIT PAS** être scellée ou collée dans le plan de travail.

PL Uszczelnić krawędź wycięcia w blacie za pomocą uszczelniacza silikonowego lub kleju PVA.

WAŻNE: Przed rozpoczęciem montażu płyty grzewczej należy upewnić się, że warstwa uszczelniacza lub kleju jest całkowicie utwardzona zgodnie z instrukcjami producenta. Płyta grzewcza **NIE MOŻE** być przyklejona na stałe do blatu.

RO Etanșează marginea tăiată a blatului cu un agent pe bază de silicon sau un adeziv PVA.

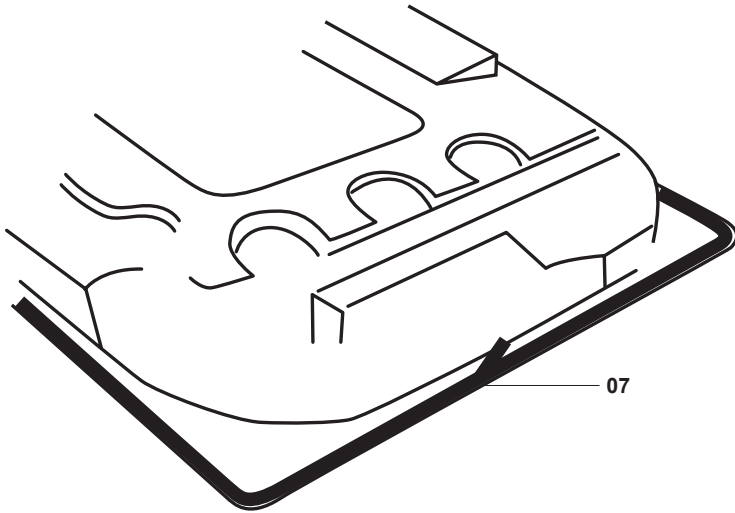
IMPORTANT: Înainte de a începe montarea plitei, asigură-te că produsul de etanșare este complet întărit, conform instrucțiunilor producătorului. Această plită **NU TREBUIE** sigilată sau lipită în blat.

ES Selle el borde cortado de la encimera con sellador de silicona o pegamento PVA.

IMPORTANTE: Asegúrese de que el producto esté completamente seco según las instrucciones del fabricante antes de iniciar la instalación de la placa. Esta placa **NO DEBE** sellarse o pegarse a la encimera.

PT Vede a extremidade cortada da bancada com vedante de silicone ou cola vinílica.

IMPORTANTE: Certifique-se de que os produtos estão completamente secos, de acordo com as instruções do fabricante, antes de iniciar a instalação da placa. Esta placa **NÃO PODE** ser vedada nem soldada à bancada.



- EN** Stretch out the supplied seal along the underside edge of the hob, ensuring the ends overlap.
- FR** Étirer le mastic fourni sur tout le rebord inférieur de la plaque de cuisson, en assurant le chevauchement des extrémités.
- PL** Rozciągnąć dostarczoną uszczelkę wzdłuż dolnej krawędzi płyty grzewczej, upewniając się, że końce uszczelki zachodzą na siebie.
- RO** Întinde garnitura de etanșare furnizată pe partea de dedesubt a plitei, asigurându-te că se suprapun capetele.
- ES** Estire la junta suministrada a lo largo del borde inferior de la placa, asegurándose de que los extremos se superpongan.
- PT** Estique o vedante fornecido ao longo da extremidade da placa, certificando-se de que as extremidades ficam sobrepostas.

5A



01. x1

EN Gas on glass 4 burner hob 60cm

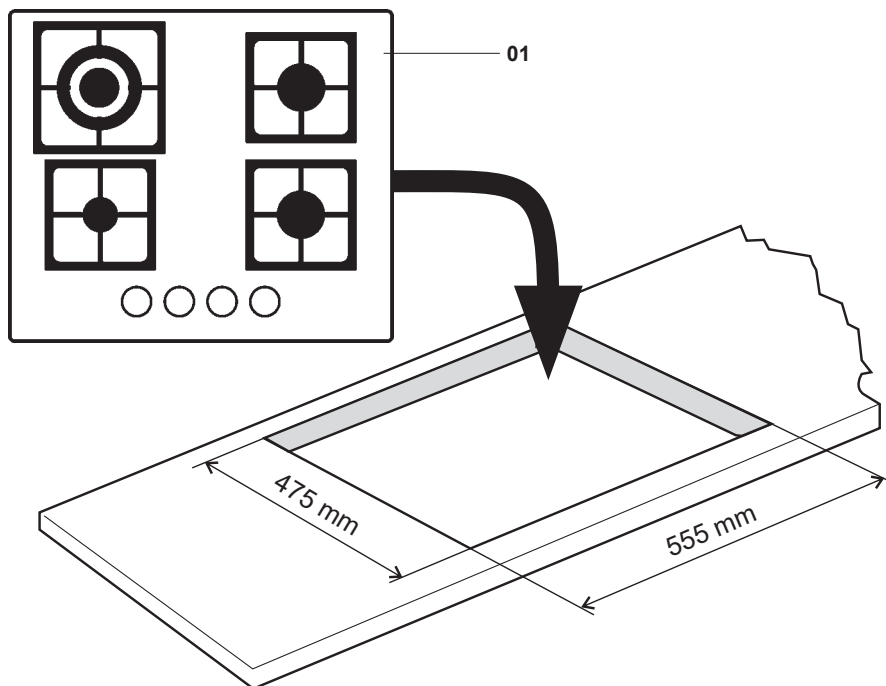
FR Plaque de cuisson au gaz avec surface en verre, 4 brûleurs, 60cm

PL Płyta gazowa szklana 4-palnikowa 60 cm

RO Plită pe gaz din sticlă cu 4 arzătoare, 60 cm

ES Placa de gas sobre panel de cristal, 4 fuegos, 60 cm

PT Placa de vidro a gás com 4 queimadores de 60 cm



EN Once the worktop edge has cured, and the tape is fitted, position the hob into the cutout in the worktop.

FR Une fois que le rebord du plan de travail est sec et que l'adhésif est en place, positionner la plaque de cuisson dans la découpe du plan de travail.

PL Po wyschnięciu krawędzi blatu i nałożeniu taśmy umieścić płytę w wycięciu w blacie.

RO După ce agentul de etanșare de pe marginea blatului s-a întărit și ai lipit banda, poziționează plita în spațiul tăiat în blat.

ES Una vez que la silicona del borde de la encimera se haya secado y la cinta esté colocada, sitúe la placa en la abertura de la encimera.

PT Após a extremidade da bancada estar seca e a fita aplicada, posicione a placa encaixando-a no corte existente na bancada.

5B



01. x1

EN Gas on glass 5 burner hob 70cm

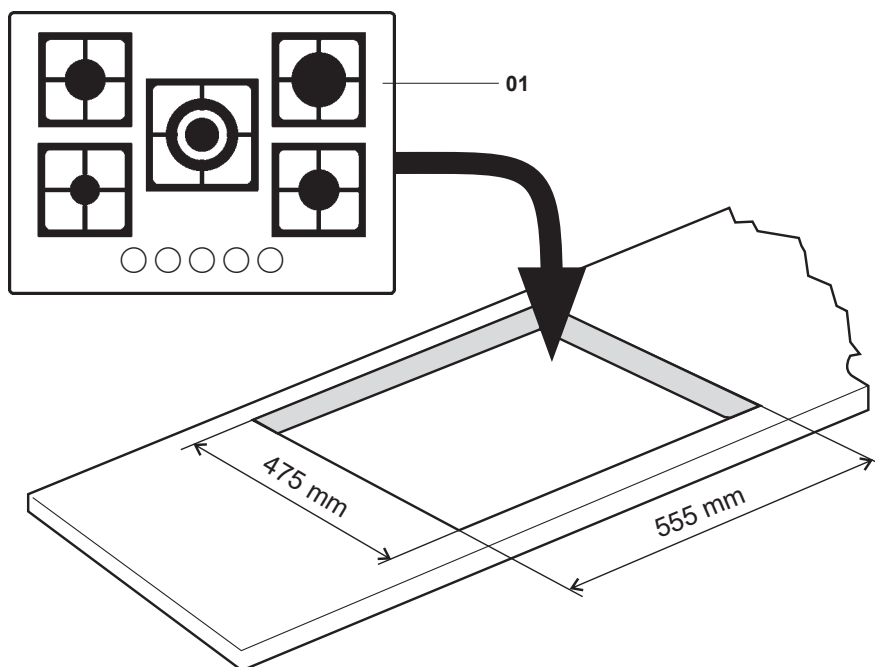
FR Plaque de cuisson au gaz avec surface en verre, 5 brûleurs, 70cm

PL Płyta gazowa szklana 5–palnikowa 70 cm

RO Plită pe gaz din sticlă cu 5 arzătoare, 70 cm

ES Placa de gas sobre panel de cristal, 5 fuegos, 70 cm

PT Placa de vidro a gás com 5 queimadores de 70 cm



EN Once the worktop edge has cured, and the tape is fitted, position the hob into the cutout in the worktop.

FR Une fois que le rebord du plan de travail est sec et que l'adhésif est en place, positionner la plaque de cuisson dans la découpe du plan de travail.

PL Po wyschnięciu krawędzi blatu i nałożeniu taśmy umieścić płytę w wycięciu w blacie.

RO După ce agentul de etanșare de pe marginea blatului s-a întărit și ai lipit banda, poziționează plita în spațiul tăiat în blat.

ES Una vez que la silicona del borde de la encimera se haya secado y la cinta esté colocada, sitúe la placa en la abertura de la encimera.

PT Após a extremidade da bancada estar seca e a fita aplicada, posicione a placa encaixando-a no corte existente na bancada.

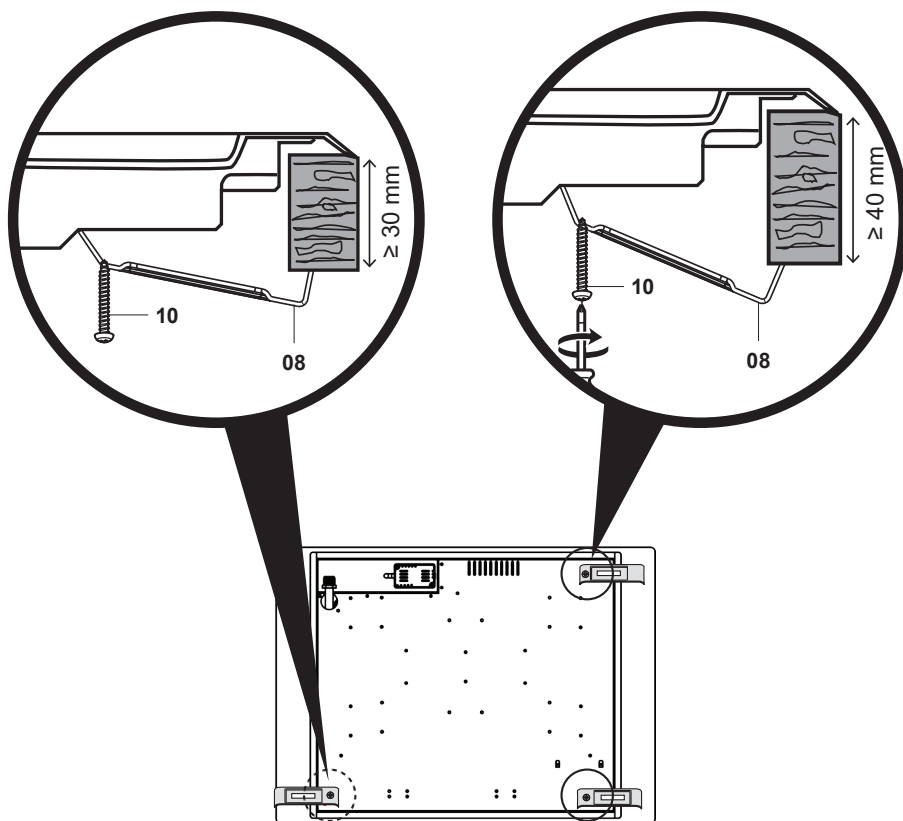
06



08. x3



10. x3



EN Secure the hob to the worktop by attaching the brackets as shown.

FR Fixer la plaque de cuisson sur le plan de travail en fixant les supports, comme indiqué ci-dessus.

PL Przymocować płytę grzewczą do blatu, mocując wsporniki w sposób pokazany na rysunku.

RO Fixează plăta pe blat prinzând consolele după cum este indicat.

ES Asegure la placa a la encimera fijando los soportes como se muestra.

PT Fixe a placa à bancada através dos suportes, conforme demonstrado.

01 Connecting to the gas supply



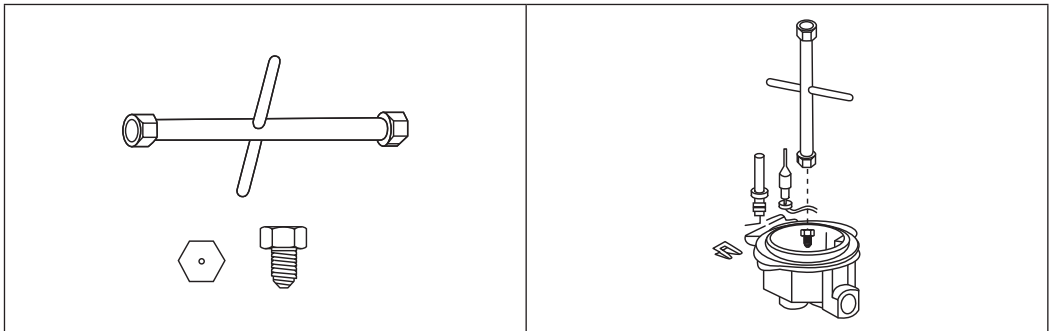
WARNING: THE CONNECTION TO THE GAS SUPPLY MUST ONLY BE MADE BY A QUALIFIED GAS INSTALLER

- The connection of the hob to the gas pipe network or gas cylinder must be made by means of a rigid copper or steel pipe with fittings complying with local regulations.
- A connecting elbow is pre-fitted to the hob. This elbow terminates in an external 1/2" BSP connecting thread complying with ISO 228-1:2003. The connection made to the pre-fitted elbow **MUST** be suitable for connecting to this thread. If **ANY** other connection type or thread size is used a suitable adaptor **MUST** be fitted.
- The qualified gas installer must ensure that the operation of the burners has been correctly verified before use.

02 Adjustment to a different type of gas



CAUTION: Replacement of gas jets must only be carried out by a qualified gas installer.



NOTE: Extra gas jets are supplied to enable conversion for use with different gas types including liquid petroleum gas (LPG) butane and propane. Details of the extra jets supplied and their applications can be found in the Injector Table printed in this manual. These jets must be replaced using a dedicated specialist tool, not supplied.

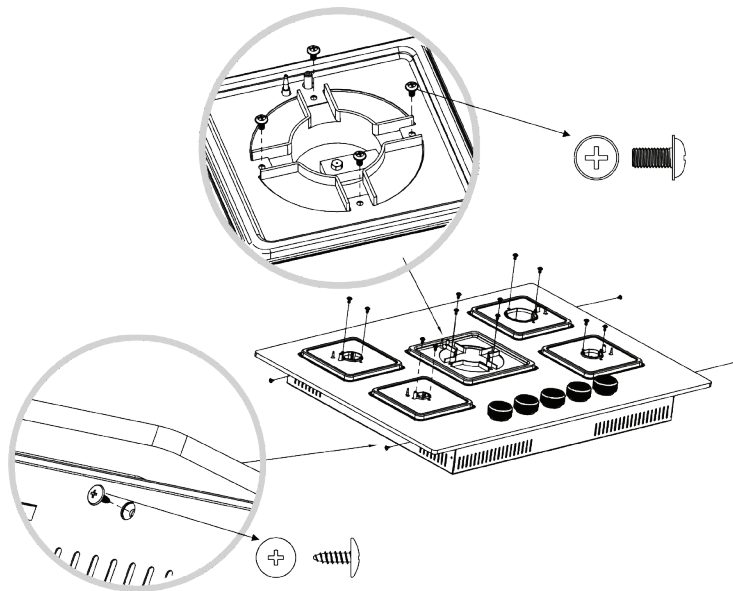


CAUTION: The regulation described can only be carried out with burners that use methane gas and methane/nitrogen blends (where available), and the screw must be fully tightened in a clockwise direction on burners using LPG.

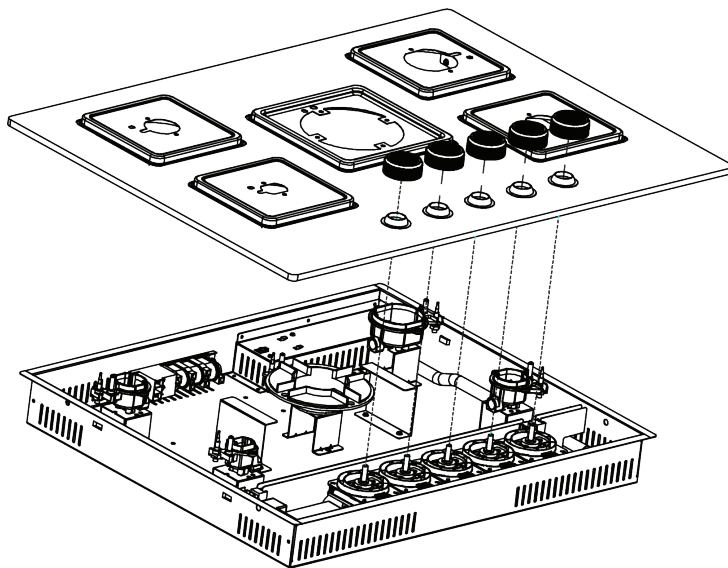


CAUTION: The Minimum position on the burners **MUST** be adjusted by a qualified gas engineer only. Ensure the mains power is disconnected before proceeding.

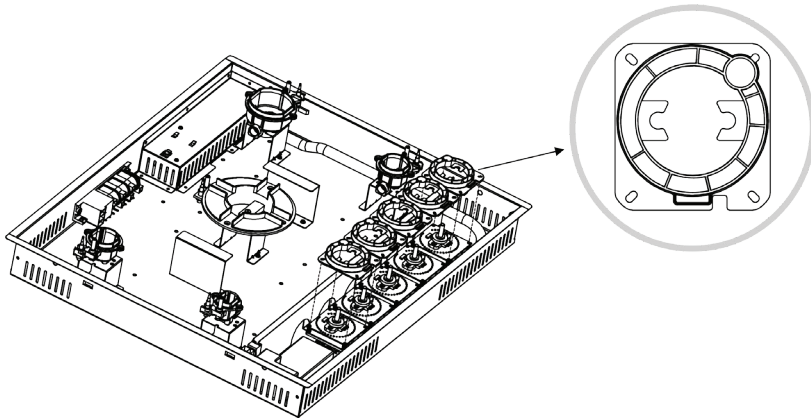
03 Gas jet adjustment



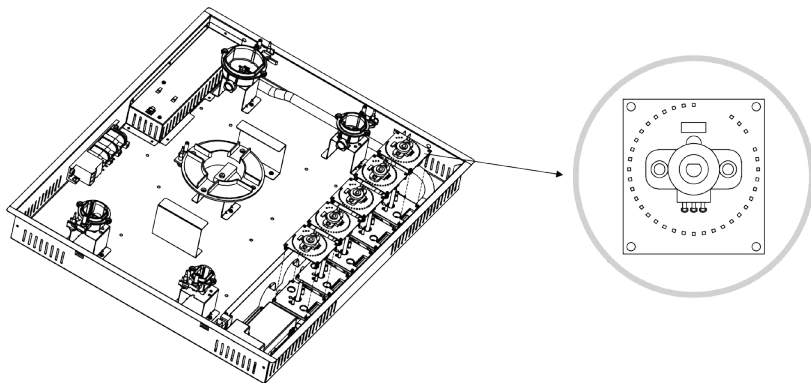
1. Remove the screws securing the burner surrounds and glass.



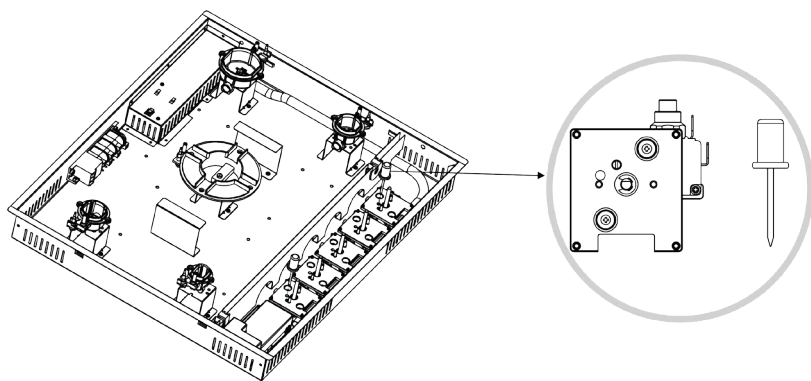
2. Carefully lift off the burner control knobs and remove the glass panel.



3. Remove the light control cover from each burner.



4. Remove the light circuit board from each burner.



5. Adjust each burner to match the new jets.

04 Connecting to the electrical supply

All installation must be carried out by a qualified electrician. Before connecting the mains supply ensure that the mains voltage corresponds to the voltage on the rating plate.

Direct Connection

The appliance must be connected directly to the mains using an omnipolar circuit breaker with a minimum opening of 3 mm between the contacts.

The installer must ensure that the correct electrical connection has been made and that it complies with the wiring diagram.

The cable must not be bent or compressed.

Regularly check the power cord for damage. If the supply cord becomes damaged, it must be replaced by the manufacturer, its service agent or similarly qualified persons in order to avoid a hazard.



WARNING: This is a Class I appliance and **MUST** be earthed.

This appliance is supplied with a 3 core mains cable coloured as follows:

Brown = L or Live

Blue = N or Neutral

Green and Yellow = E or Earth 

This appliance should be connected directly to the consumer unit with a 3 Amp Residual Current Device (RCD) protecting its circuit.

To avoid the risks that are always present when you use an electrical appliance it is important that this appliance is installed correctly and that you read the safety instructions carefully to avoid misuse and hazards. Please keep this instruction booklet for future reference and pass it on to any future owners. After unpacking the appliance please check that it is not damaged. If in doubt, do not use the appliance but contact Customer Services - see end of Care & Maintenance section for details.

01 Raccordement à l'alimentation en gaz



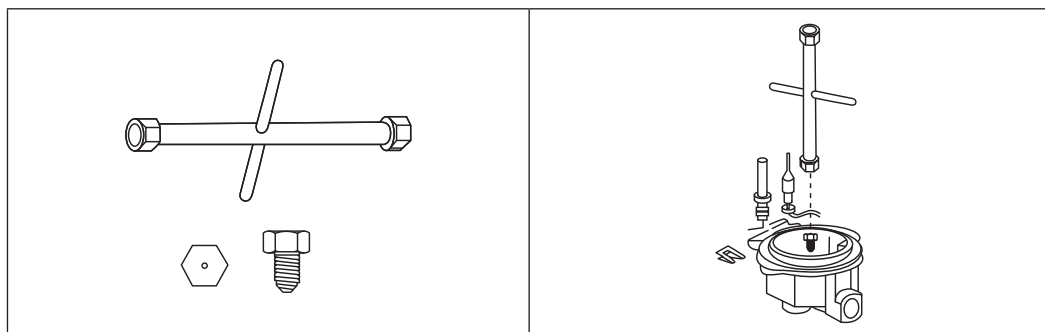
AVERTISSEMENT : LE RACCORDEMENT À L'ALIMENTATION EN GAZ DOIT ÊTRE EFFECTUÉ UNIQUEMENT PAR UN INSTALLATEUR D'APPAREILS À GAZ QUALIFIÉ

- Le raccordement de la plaque de cuisson au réseau de conduite de gaz ou à une bouteille de gaz doit être réalisé à l'aide d'un tuyau rigide en cuivre ou en acier doté de raccords conformes à la réglementation locale.
- Un coude de raccordement est préinstallé sur la plaque de cuisson. Ce coude se termine par un filetage de raccordement BSP externe de 1/2pouce, conformément à la norme ISO 228-1:2003. Le raccordement au coude préinstallé DOIT être compatible pour un raccordement à ce filetage. Si TOUT AUTRE type de raccordement ou si une autre taille de filetage est utilisé(e), un adaptateur approprié DOIT être installé.
- L'installateur d'appareils à gaz qualifié doit s'assurer que le fonctionnement des brûleurs a été correctement vérifié avant utilisation.

02 Réglage avec un autre type de gaz



ATTENTION : Le remplacement des injecteurs de gaz doit uniquement être effectué par un installateur d'appareils à gaz qualifié.



REMARQUE : Des injecteurs de gaz supplémentaires sont fournis afin de permettre une conversion pour une utilisation avec des types de gaz différents, y compris le gaz de pétrole liquéfié (GPL), le butane et le propane. Des informations concernant les injecteurs supplémentaires fournis et leurs applications sont disponibles dans le tableau des injecteurs, figurant dans ce manuel. Ces injecteurs doivent être remplacés à l'aide d'un outil spécifique non fourni.

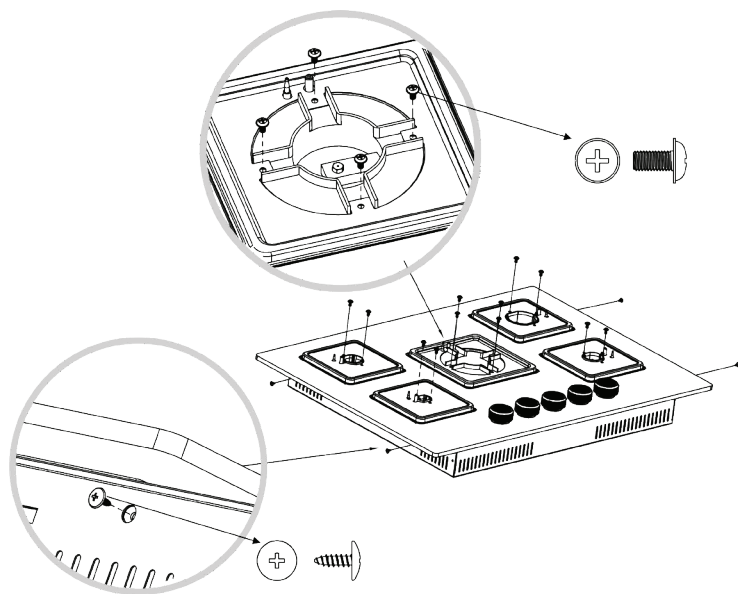


ATTENTION : Le réglage décrit peut uniquement être effectué avec des brûleurs pour méthane et mélanges de méthane/azote (lorsque disponibles) ; la vis doit être serrée à fond dans le sens des aiguilles d'une montre sur les brûleurs utilisant du GPL.

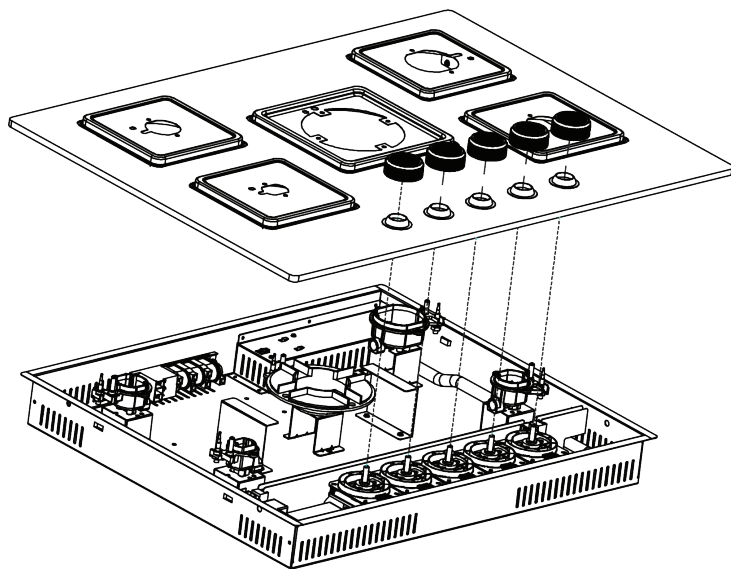


ATTENTION : La position minimum sur les brûleurs DOIT être réglée uniquement par un installateur d'appareils à gaz qualifié. S'assurer que l'alimentation secteur est débranchée avant de continuer.

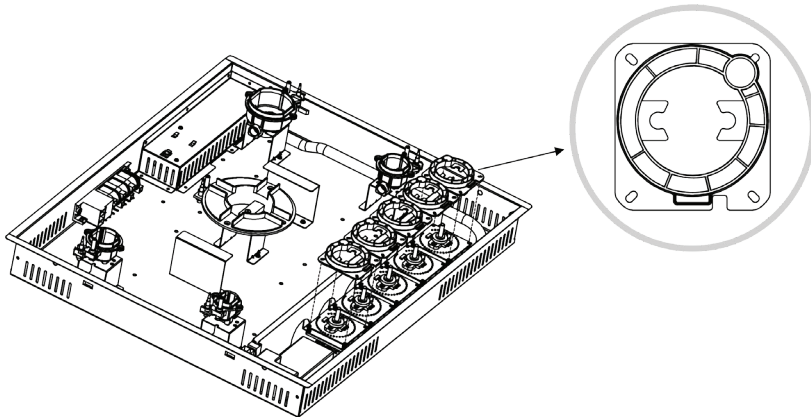
03 Réglage des injecteurs de gaz



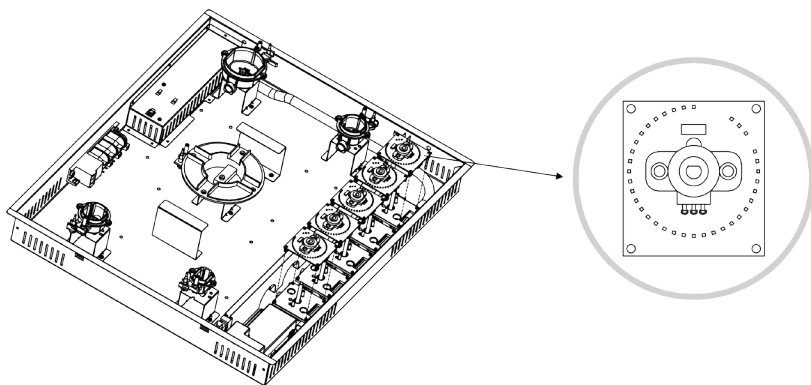
1. Retirer les vis de fixation des cadres des brûleurs et de la surface en verre.



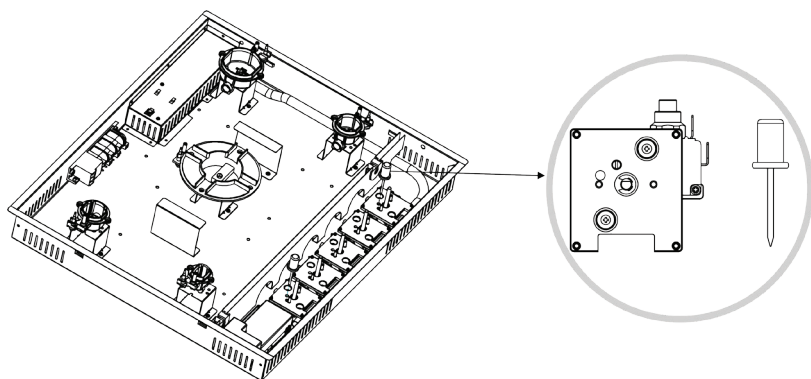
2. Soulever avec précaution les boutons de commande des brûleurs et retirer le panneau en verre.



3. Retirer le couvercle de la commande d'allumage de chaque brûleur.



4. Retirer la carte de circuits imprimés d'allumage de chaque brûleur.



5. Régler chaque brûleur pour qu'il corresponde aux nouveaux injecteurs.

04 Raccordement sur l'alimentation électrique

Toute l'installation doit être effectuée par un électricien qualifié. Avant de brancher le câble d'alimentation, s'assurer que la tension du secteur correspond à la tension indiquée sur la plaque signalétique.

Raccordement direct

L'appareil doit être raccordé directement au secteur à l'aide d'un disjoncteur omnipolaire avec une ouverture minimale de 3mm entre les contacts.

L'installateur doit s'assurer que le raccordement électrique effectué est correct et qu'il respecte le schéma de câblage.

Le câble ne doit pas être plié ou comprimé.

Vérifier régulièrement que le cordon d'alimentation n'est pas endommagé. Si le cordon d'alimentation est endommagé, il doit être remplacé par le fabricant, son prestataire de service ou par une personne qualifiée afin d'éviter tout danger.




AVERTISSEMENT : Il s'agit d'un appareil de Classe I. Il DOIT être raccordé à la terre.

Cet appareil est livré avec un câble d'alimentation à 3 conducteurs présentant le code couleur suivant :

Marron = L ou Phase

Bleu = N ou Neutre

Vert et jaune = E ou Terre 

Cet appareil doit être raccordé directement au tableau électrique par l'intermédiaire d'un dispositif différentiel à courant résiduel (DDR) de 3A protégeant son circuit.

Afin d'éviter tout risque lors de l'utilisation d'un appareil électrique, il est important que celui-ci soit correctement installé et que les instructions de sécurité soient lues attentivement afin d'éviter une mauvaise utilisation et tout danger. Veiller à conserver cette notice pour toute référence ultérieure et à la transmettre aux prochains propriétaires. Après avoir déballé l'appareil, vérifier qu'il n'est pas endommagé. En cas de doute, ne pas utiliser l'appareil, contacter le service client (voir la fin du chapitre « Entretien et maintenance » pour plus de détails).

01 Podłączenie do źródła zasilania gazem



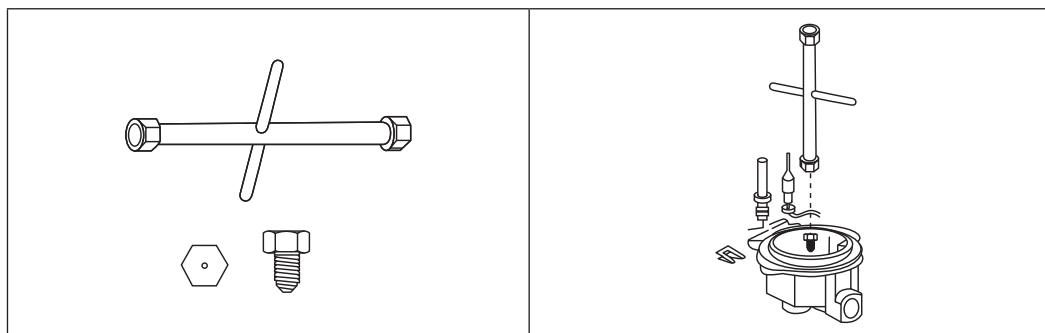
OSTRZEŻENIE: PODŁĄCZENIA DO ŹRÓDŁA ZASILANIA GAZEM MOŻE DOKONAĆ WYŁĄCZNIE WYKWALIFIKOWANY INSTALATOR URZĄDZEŃ GAZOWYCH

- Płytę grzewczą należy podłączyć do sieci gazowej lub butli gazowej za pomocą sztywnego przewodu miedzianego lub stalowego, używając mocowań zgodnych z lokalnymi przepisami.
- Płyta grzewcza jest fabrycznie wyposażona w kolanko przyłączeniowe. Kolanko jest zakończone zewnętrznym gwintem BSP 1/2 cala, zgodnym z normą ISO 228-1:2003. Połączenie z fabrycznie zamontowanym kolankiem MUSI być odpowiednie do tego gwintu. W przypadku użycia INNEGO rodzaju połączenia lub rozmiaru gwintu należy zastosować odpowiedni adapter.
- Przed użyciem palników ich działanie musi sprawdzić wykwalifikowany instalator urządzeń gazowych.

02 Dostosowanie do innego rodzaju gazu



UWAGA: Wymiany dysz gazowych może dokonać wyłącznie wykwalifikowany instalator urządzeń gazowych.



WSKAZÓWKA: W celu dostosowania urządzenia do różnych rodzajów gazu, w tym gazu płynnego (LPG) butanu i propanu, dołączono do niego dodatkowe dysze gazowe. Szczegółowe informacje dotyczące dodatkowych dysz i ich zastosowań znajdują się w tabeli z zestawieniem dysz w niniejszej instrukcji. Dysze należy wymienić za pomocą specjalistycznego narzędzia, które nie jest dołączone do zestawu.

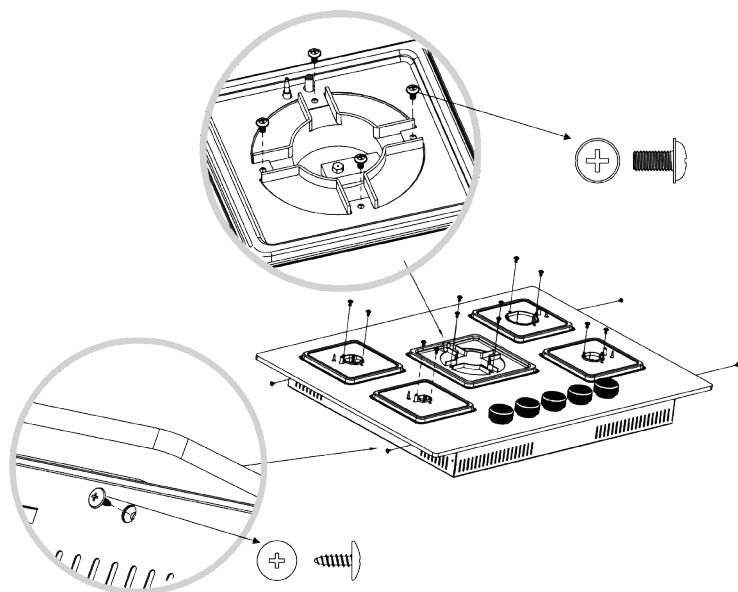


UWAGA: Opisaną regulację można przeprowadzić tylko w przypadku palników zasilanych metanem oraz mieszankami metanu i azotu (jeśli dotyczy). W przypadku palników zasilanych gazem płynnym (LPG) śrubę należy całkowicie dokręcić w kierunku zgodnym z ruchem wskazówek zegara.

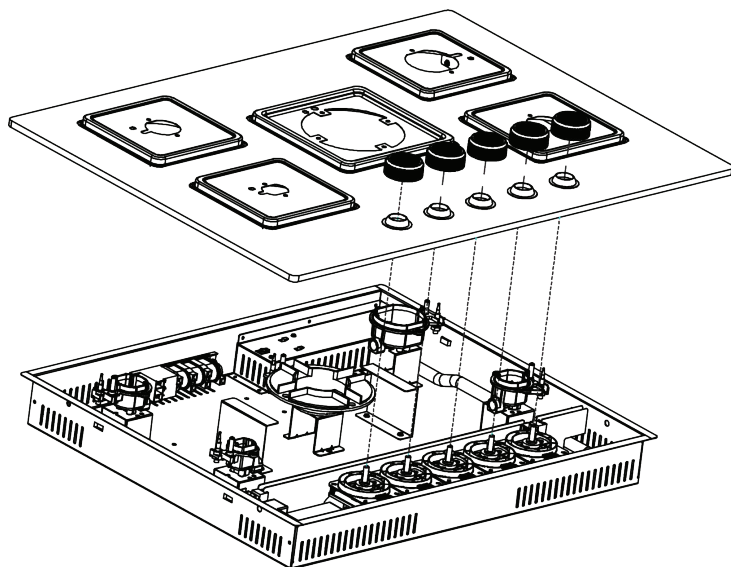


UWAGA: Regulacji płomienia minimalnego MOŻE dokonać wyłącznie wykwalifikowany instalator urządzeń gazowych. Przed przystąpieniem do dalszych czynności należy upewnić się, że wyłączono zasilanie sieciowe.

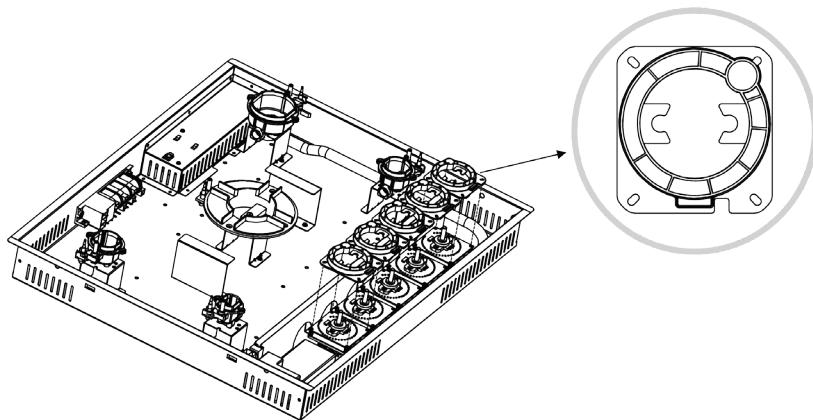
03 Regulacja dysz gazowych



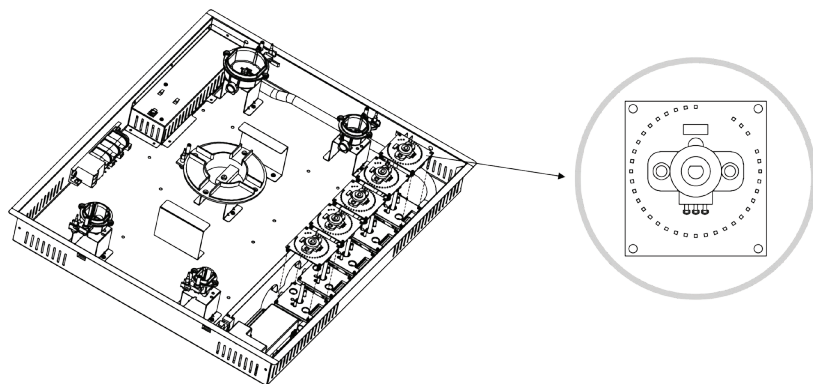
1. Wykręcić śruby mocujące obwódki palników i szklany panel.



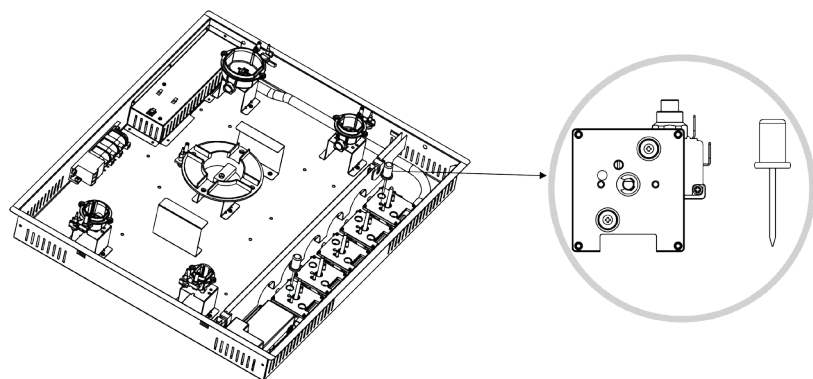
2. Ostrożnie zdjąć pokrętła sterujące palnikami i szklany panel.



3. Wymontować osłony mechanizmu regulacji płomienia poszczególnych palników.



4. Wymontować płytki drukowane regulacji płomienia poszczególnych palników.



5. Wyregulować poszczególne palniki odpowiednio do nowych dysz.

04 Podłączenie do zasilania elektrycznego

Instalację powinien przeprowadzić wykwalifikowany elektryk. Przed podłączeniem do zasilania sieciowego należy upewnić się, czy napięcie sieciowe odpowiada napięciu na tabliczce znamionowej.

Podłączenie bezpośrednie

Urządzenie należy podłączyć bezpośrednio do sieci zasilającej, korzystając z wyłącznika wielobiegunowego z minimalnym rozwarciem między stykami 3 mm.

Monter powinien upewnić się, że połączenie zostało odpowiednio poprowadzone i że jest ono zgodne ze schematem instalacji.

Przewód nie może być zagięty ani przygnieciony.

Należy regularnie sprawdzać przewód zasilania pod kątem uszkodzeń. Jeśli dojdzie do uszkodzenia przewodu zasilającego, aby uniknąć zagrożeń, ze względów bezpieczeństwa powinien wymienić go producent, przedstawiciel serwisowy lub inna osoba o odpowiednich kwalifikacjach.



OSTRZEŻENIE: Urządzenie posiada klasę ochronności I, co oznacza, że MUSI być uziemione.

Urządzenie jest dostarczane z 3-żyłowym przewodem zasilania o następujących kolorach:

Brązowy = L (pod napięciem)

Niebieski = N (neutralny)

Zielony i żółty = E (uziemienie) ⊕

Urządzenie należy podłączyć bezpośrednio do rozdzielnicę poprzez wyłącznik różnicowoprądowy (RCD) o natężeniu 3 A.

Aby ograniczyć do minimum ryzyko związane z użytkowaniem urządzenia elektrycznego, niezwykle ważne jest, aby produkt został prawidłowo zamontowany oraz aby użytkownik dokładnie zapoznał się z instrukcjami dotyczącymi bezpieczeństwa i unikał nieprawidłowej obsługi oraz związanych z tym zagrożeń. Należy zachować instrukcję obsługi w celu wykorzystania w przyszłości i przekazania jej kolejnym właścicielom. Po rozpakowaniu urządzenia upewnić się, że nie jest ono uszkodzone. W przypadku wątpliwości zaprzestać korzystania z urządzenia i skontaktować się z działem obsługi klienta. Więcej szczegółowych informacji znajduje się na końcu rozdziału „Czyszczenie i konserwacja”.

01 Conectarea la sursa de alimentare cu gaz



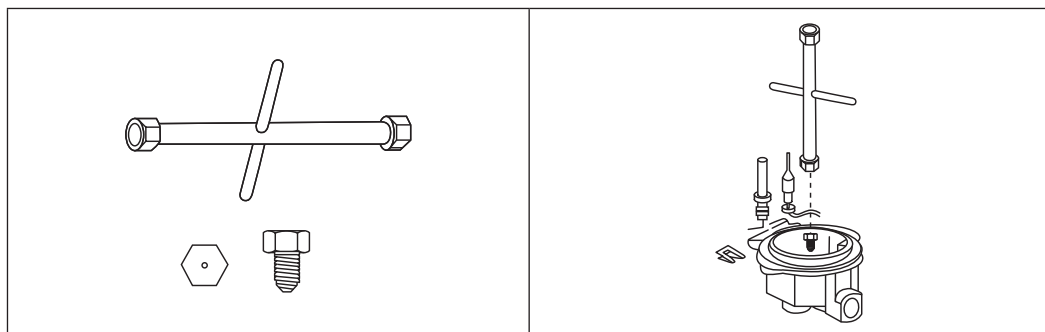
AVERTISMENT: CONECTAREA LA SURSA DE ALIMENTARE CU GAZ TREBUIE REALIZATĂ NUMAI DE CĂTRE UN INSTALATOR CALIFICAT ÎN DOMENIUL GAZELOR

- Conectarea plitei la rețeaua de gaz sau la butelia de gaz trebuie făcută prin intermediul unei țevi rigide din cupru sau oțel cu fittinguri conforme cu reglementările locale.
- Un cot de legătură este premontat la plită. Acest cot se termină cu un filet extern de conectare BSP de 1/2", conform cu ISO 228-1:2003. Racordul realizat la cotul premontat TREBUIE să fie adecvat pentru conectarea la acest filet. Dacă se utilizează ORICE alt tip de racord sau orice altă dimensiune de filet, TREBUIE montat un adaptor adecvat.
- Instalatorul calificat în domeniul gazelor trebuie să se asigure că funcționarea arzătoarelor a fost verificată corect înainte de utilizare.

02 Reglarea pentru un alt tip de gaz



ATENȚIE: Înlocuirea duzelor de gaz trebuie efectuată numai de către un instalator calificat în domeniul gazelor.



NOTĂ: Sunt furnizate duze de gaz suplimentare, pentru a permite conversia la utilizarea cu tipuri de gaz diferite, inclusiv gaz petrolier lichefiat (GPL), butan și propan. Detaliile privind duzele suplimentare furnizate și utilizarea lor pot fi găsite în Tabelul injectoarelor din acest manual. Aceste duze trebuie înlocuite utilizând o unealtă specializată, nefurnizată.

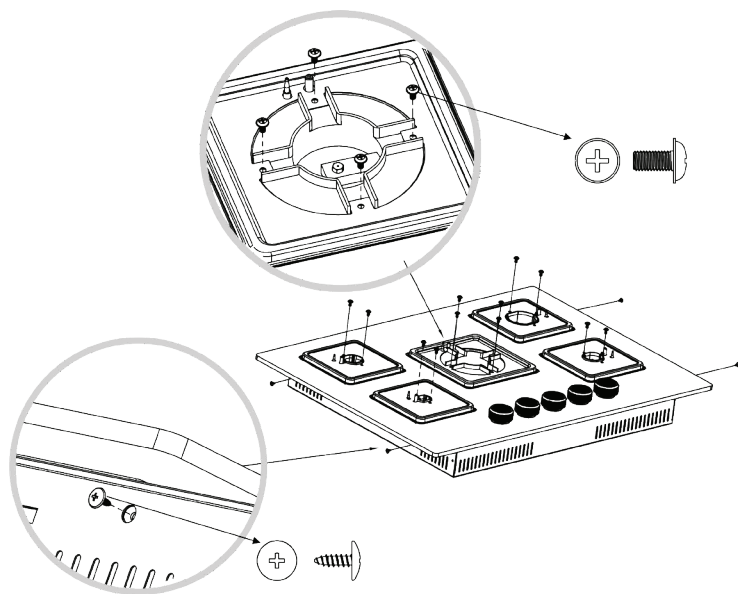


ATENȚIE: Reglarea descrisă poate fi efectuată numai în cazul arzătoarelor care utilizează gaz metan și amestecuri de metan/azot (dacă sunt disponibile), iar șurubul trebuie strâns complet în sens orar la arzătoarele care utilizează GPL.

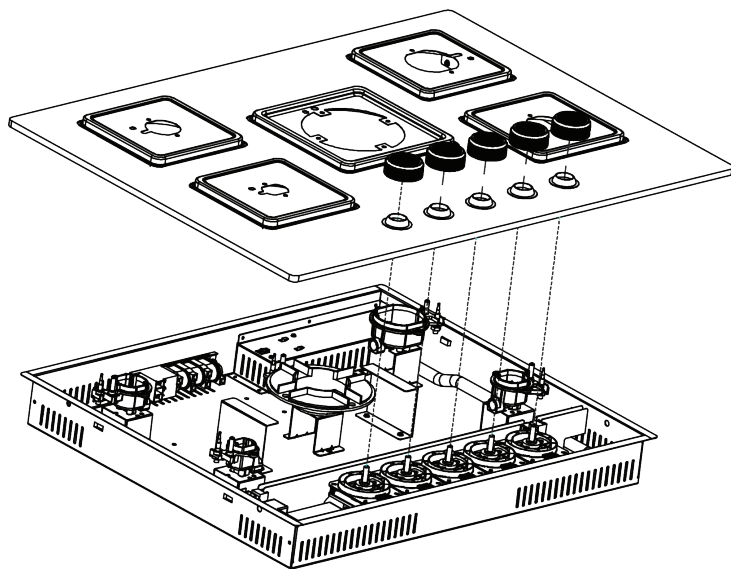


ATENȚIE: Poziția minimă a arzătoarelor TREBUIE reglată numai de către un inginer calificat în domeniul gazelor. Asigură-te că alimentarea electrică este deconectată înainte de a continua.

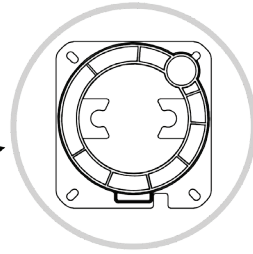
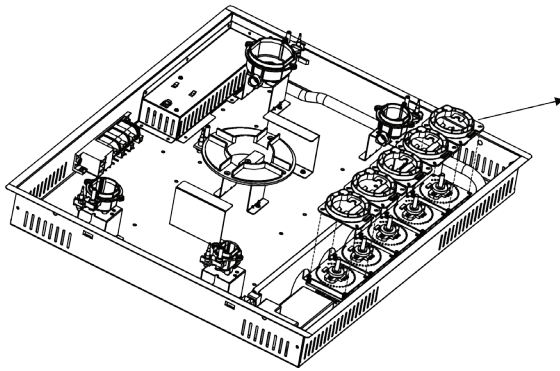
03 Reglarea duzelor de gaz



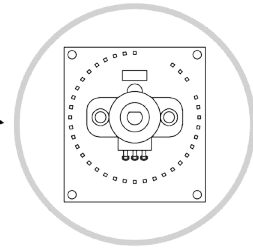
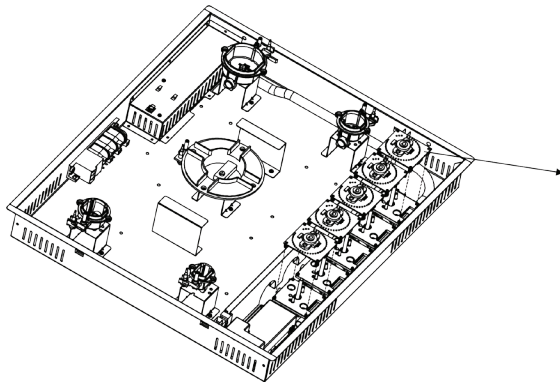
1. Scoate șuruburile care fixează ramele arzătoarelor și sticla.



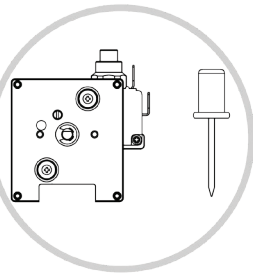
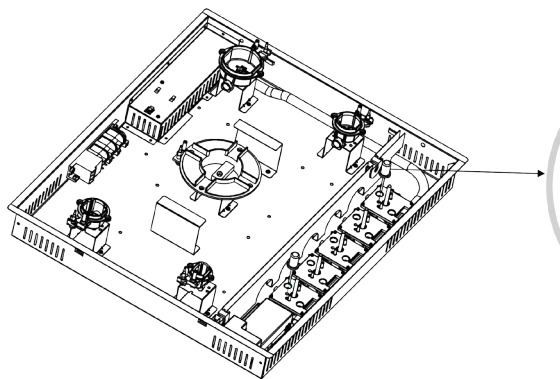
2. Ridică butoanele de control ale arzătoarelor cu atenție și scoate panoul din sticlă.



3. Scoate capatul de comandă a luminii de la fiecare arzător.



4. Scoate placa de circuite a luminii de la fiecare arzător.



5. Reglează fiecare arzător pentru a se potrivi noilor duze.

04 Conectarea la sursa de alimentare cu energie electrică

Instalarea trebuie realizată în totalitate de un electrician calificat. Înainte de conectarea la rețeaua electrică, asigură-te că tensiunea de alimentare a rețelei corespunde cu cea de pe plăcuța de identificare.

Conexiune directă

Aparatul trebuie conectat direct la rețea cu un disjuncter omnipolar cu o deschidere minimă între contacte de 3 mm.

Instalatorul trebuie să se asigure că a realizat corect legăturile electrice și că a respectat schema electrică.

Cablul nu trebuie îndoit sau presat.

Verifică periodic cablul de alimentare, pentru a depista deteriorările. Dacă se deteriorează, cablul de alimentare trebuie înlocuit de producător, agentul de service sau persoane cu un nivel de calificare similar, pentru a evita o situație periculoasă.



AVERTISMENT: Acesta este un aparat Clasa I și **TREBUIE** împământat.

Acest aparat este echipat cu un cablu de alimentare cu 3 fire, colorate după cum urmează:

Maro = L sau Fază

Albastru = N sau Nul

Verde și galben = E sau Împământare (⏚)

Aparatul trebuie conectat direct la tabloul de distribuție cu o siguranță automată cu protecție diferențială (RCD) de 3 A pentru protecția circuitului.

Pentru a evita pericolele și riscurile utilizării greșite a unui echipament electric, este important ca acest aparat să fie montat corect și să citești cu atenție instrucțiunile de siguranță. Păstrează acest manual de instrucțiuni pentru consultare ulterioară și predă-l viitorilor proprietari. După despachetarea aparatului, verifică să nu fie deteriorat. Dacă ai îndoieli, nu folosi aparatul, ci contactează serviciul de Asistență clienți – vezi detalii la sfârșitul capitolului Îngrijire și întreținere.

01 Conexión al suministro de gas



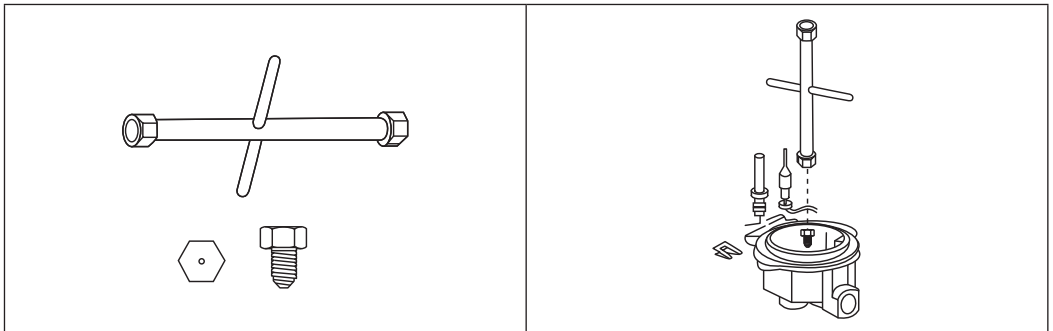
ADVERTENCIA: LA CONEXIÓN AL SUMINISTRO DE GAS DEBE REALIZARLA UN INSTALADOR DE GAS CUALIFICADO

- La conexión de la placa a la red de gas o la bombona de gas debe realizarse mediante un tubo de acero o de cobre rígido con accesorios conformes con las normativas locales.
- La placa cuenta con un codo de conexión preinstalado. Este codo termina en una rosca de conexión BSP externa de 1/2" que cumple con la norma ISO 228-1:2003. La conexión que se realice en el codo preinstalado DEBE ser la adecuada para la rosca. Si se utiliza cualquier otro tipo de conexión o tamaño de rosca, DEBE instalarse un adaptador adecuado.
- El instalador de gas cualificado debe comprobar que los quemadores funcionan correctamente antes de su uso.

02 Ajuste para tipos de gas diferentes



PRECAUCIÓN: La sustitución de los inyectores de gas debe realizarla un instalador de gas cualificado.



NOTA: Se suministran inyectores de gas adicionales para que puedan ajustarse a diferentes tipos de gas, incluidos el gas licuado de petróleo (GLP), el butano y el propano. Los detalles de los inyectores adicionales suministrados y sus aplicaciones aparecen indicados en la tabla de inyectores que se encuentra en este manual. La sustitución de estos inyectores debe realizarse utilizando una herramienta especializada que no está incluida.

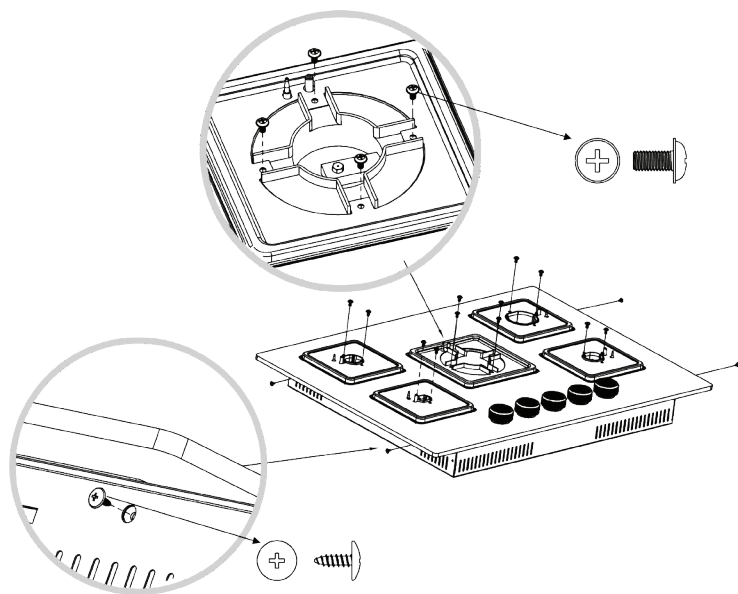


PRECAUCIÓN: La regulación descrita solo puede llevarse a cabo con quemadores que utilicen gas metano y mezclas de metano/nitrógeno (si están disponibles) y, en el caso de los quemadores que utilicen gas licuado del petróleo, el tornillo debe apretarse al máximo en el sentido de las agujas del reloj.

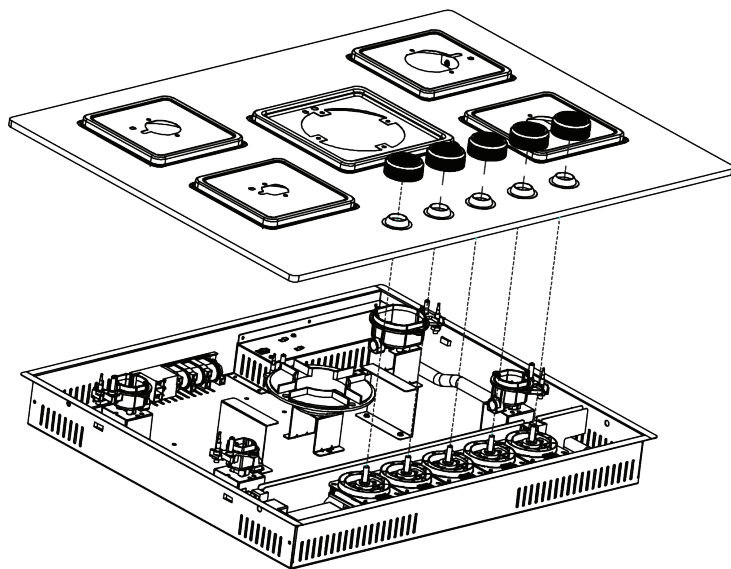


PRECAUCIÓN: El ajuste de la posición MÍNIMA en los quemadores DEBE realizarla un técnico de gas cualificado. Asegúrese de que la red eléctrica está desconectada antes de continuar.

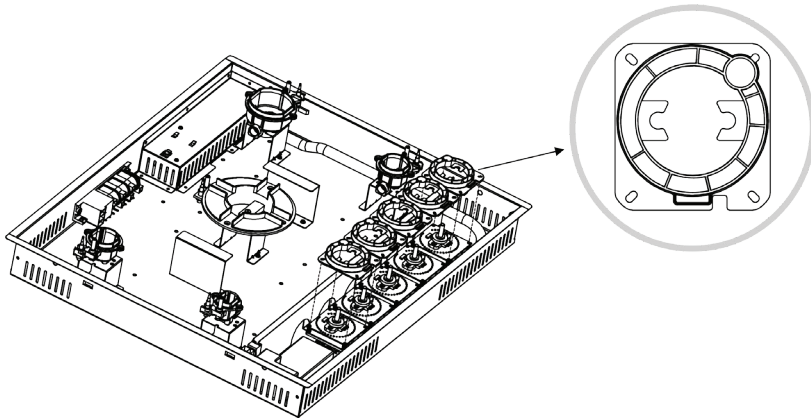
03 Ajuste de los inyectores de gas



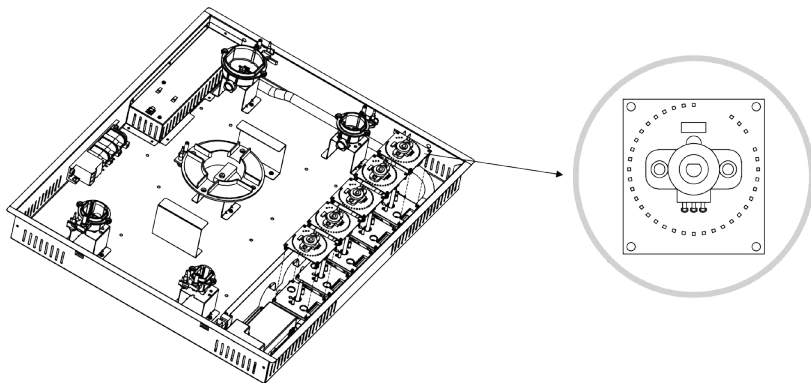
1. Retire los tornillos que fijan los bordes de los quemadores y el cristal.



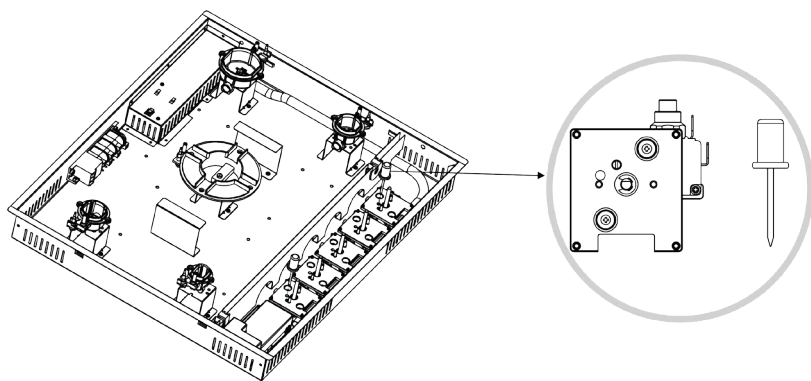
2. Levante con cuidado las perillas de control de los quemadores y retire el panel de cristal.



3. Retire la cubierta de control de la luz de cada quemador.



4. Retire la placa del circuito de la luz de cada quemador.



5. Ajuste cada quemador para que coincida con los nuevos inyectores.

04 Conexión a la fuente de alimentación

Toda instalación deberá ser realizada por un electricista cualificado. Antes de conectar la corriente eléctrica, asegúrese de que la tensión de la red se corresponde con la indicada en la placa de especificaciones técnicas.

Conexión directa

El aparato debe conectarse directamente a la red eléctrica mediante un disyuntor omnipolar con una apertura mínima de 3 mm entre los contactos.

El instalador debe garantizar una conexión eléctrica correcta y que cumpla con el esquema de cableado.

El cable no debe doblarse ni comprimirse.

Compruebe regularmente el cable de alimentación en busca de daños. Si el cable de alimentación está dañado, debe ser sustituido por el fabricante, su distribuidor local o una persona de cualificación similar para evitar situaciones de peligro.



ADVERTENCIA: Este es un aparato de Clase I y DEBE conectarse a tierra.

Este aparato se suministra con un cable de alimentación de 3 hilos con los siguientes colores:

Marrón = L o fase

Azul = N o neutro

Verde y amarillo = E o tierra 

Este aparato debe conectarse directamente a la unidad de consumo con un dispositivo de corriente residual (RCD) de 3 amperios a modo de protección del circuito.

Para evitar los riesgos que existen cuando se utiliza un aparato eléctrico, es importante instalar correctamente el dispositivo y leer atentamente las instrucciones de seguridad para evitar un uso incorrecto y cualquier peligro. Conserve este manual de instrucciones para consultarlo en el futuro y entréguelo a cualquier propietario posterior. Después de desembalar el aparato, compruebe que no esté dañado. En caso de duda, no utilice el aparato y póngase en contacto con el servicio de atención al cliente; consulte los detalles al final de la sección Cuidado y mantenimiento.

01 Ligação ao fornecimento de gás



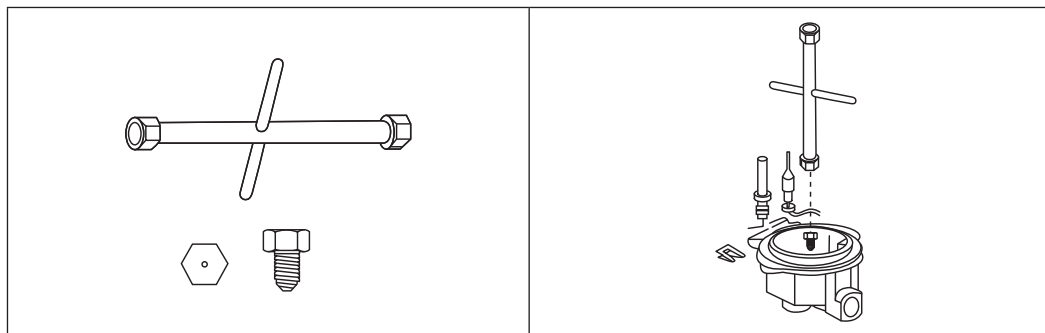
AVISO: A LIGAÇÃO AO FORNECIMENTO DE GÁS SÓ PODE SER FEITA POR UM TÉCNICO DE INSTALAÇÃO DE GÁS QUALIFICADO

- A ligação da placa à rede de tubos de gás ou ao cilindro de gás tem de ser efetuada através de um tubo de aço ou cobre rígido com fixações em conformidade com os regulamentos locais.
- Existe um cotovelo de ligação pré-ligado na placa. Este cotovelo termina numa rosca de ligação externa BSP de 1/2" em conformidade com a norma ISO 228-1:2003. A ligação efetuada no cotovelo pré-montado TEM DE ser adequada para o ligar à rosca. Se for utilizado QUALQUER outro tipo de ligação ou tamanho de rosca, é OBRIGATÓRIO instalar um adaptador adequado.
- O técnico de instalação de gás qualificado tem de garantir que o funcionamento dos queimadores foi corretamente verificado antes da utilização.

02 Ajuste a um tipo de gás diferente



ATENÇÃO: A substituição dos jatos de gás só pode ser realizada por um técnico de instalação de gás qualificado.



NOTA: São fornecidos jatos de gás adicionais para permitir a conversão para utilização com diferentes tipos de gás, incluindo gás de petróleo liquefeito (GPL), butano e propano. As informações detalhadas sobre os jatos adicionais fornecidos e respetivas aplicações encontram-se na tabela de injetores incluída neste manual. Estes jatos têm de ser substituídos com uma ferramenta especializada dedicada, não fornecida.

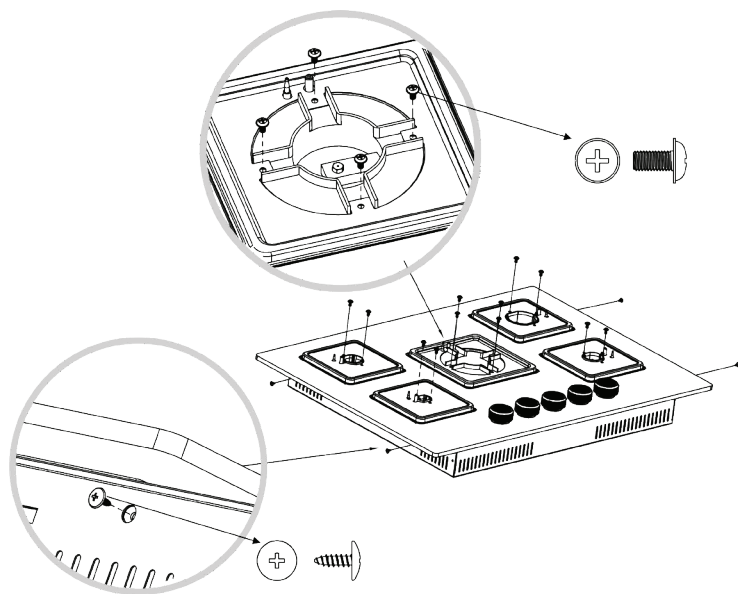


ATENÇÃO: A regulação descrita só pode ser efetuada com queimadores que utilizam gás metano e misturas de metano/nitrogénio (onde disponível). Em queimadores com GPL, o parafuso dos queimadores tem de estar totalmente apertado para a direita.

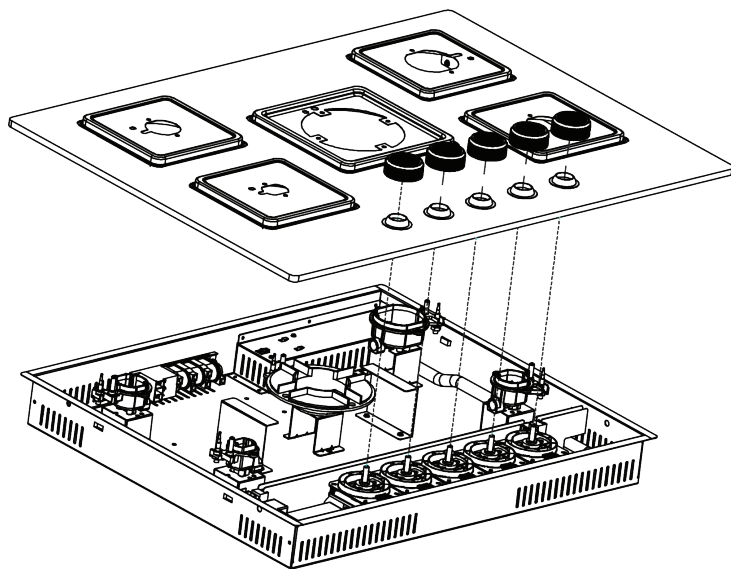


ATENÇÃO: A posição de mínimo dos queimadores TEM DE ser ajustada apenas por um engenheiro de gás qualificado. Antes de continuar, certifique-se de que a corrente elétrica está desligada.

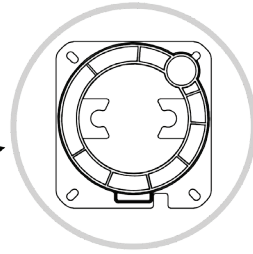
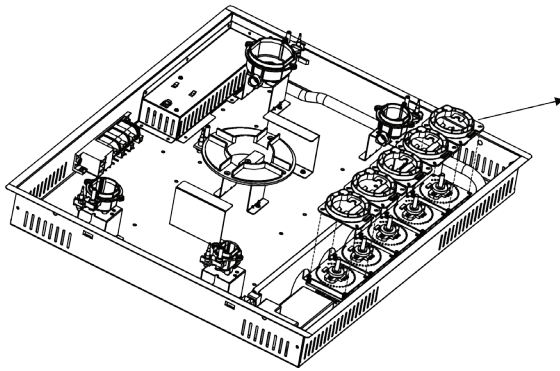
03 Ajuste do jato de gás



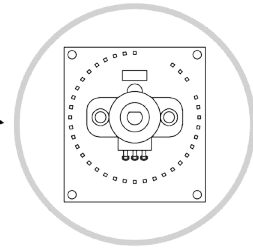
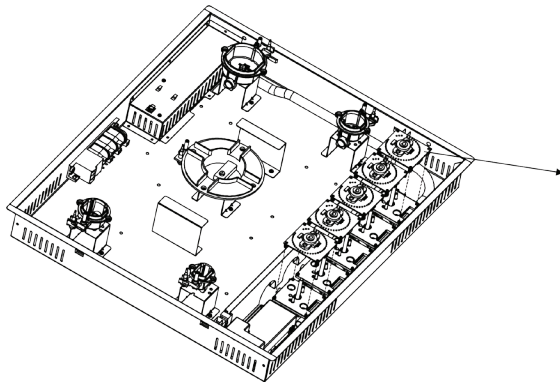
1. Retire os parafusos que fixam a área envolvente dos queimadores e o vidro.



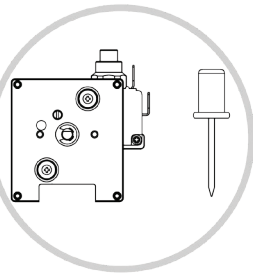
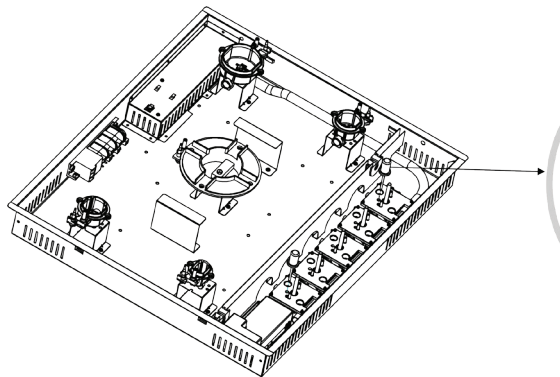
2. Levante cuidadosamente os botões de controlo dos queimadores e retire o painel de vidro.



3. Retire a tampa de controlo da luz de cada queimador.



4. Retire a placa do circuito das luzes de cada queimador.



5. Ajuste cada queimador para corresponder aos novos jatos.

04 Ligação à fonte de alimentação

A instalação tem de ser efetuada por um electricista qualificado. Antes de ligar à rede elétrica, certifique-se de que a tensão da rede corresponde à tensão na placa de classificação.

Ligação direta

O aparelho tem de ser ligado diretamente à rede elétrica através de um disjuntor onipolar com uma abertura mínima de 3 mm entre os contactos.

O responsável pela instalação tem de garantir que foi realizada a ligação elétrica correta e que esta está em conformidade com o diagrama da cablagem.

O cabo não pode ser dobrado nem comprimido.

Verifique regularmente se existem danos no cabo elétrico. Se o cabo de alimentação ficar danificado, tem de ser substituído pelo fabricante, pelo seu fornecedor de assistência técnica ou por uma pessoa qualificada de modo a evitar perigos.



AVISO: Este é um aparelho de Classe I e TEM DE estar ligado à terra.

Este aparelho é fornecido com um cabo de alimentação de 3 núcleos, colorido da seguinte forma:

Castanho = L ou sob tensão

Azul = N ou neutro

Verde e amarelo = E ou terra ⊕

Este aparelho deve ser ligado diretamente ao contador elétrico com um disjuntor diferencial residual (DDR) de 3 A que proteja o circuito.

Para evitar os riscos que estão sempre presentes quando utiliza um aparelho elétrico, é importante que este aparelho esteja instalado corretamente e que leia as instruções de segurança cuidadosamente para evitar utilizações indevidas e perigos. Guarde este manual de instruções para consulta futura e entregue-o a futuros proprietários. Depois de desembalar o aparelho, verifique se não está danificado. Em caso de dúvida, não utilize o aparelho e entre em contacto com o serviço de atendimento ao cliente; consulte a parte final da secção de Cuidados e manutenção para obter mais detalhes.

Before you start

- Switch on the appliance at the mains consumer unit. The appliance is ready for use.

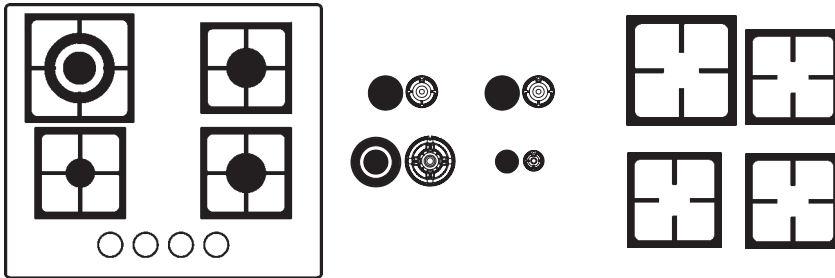


WARNING: Read the instructions before using the appliance.

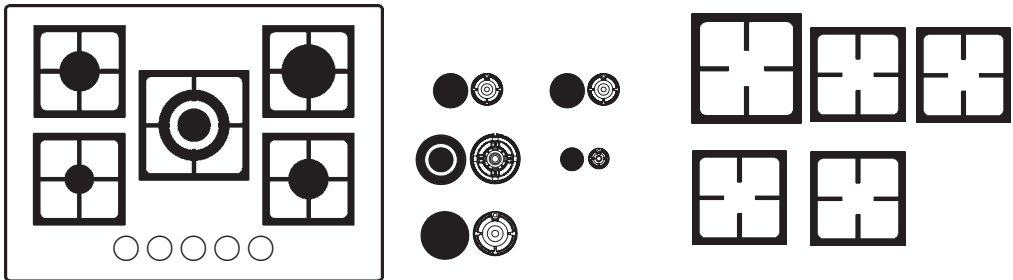
01 Function & Settings

- Flame safety device (FSD): Stops the gas supply to the gas hob when the flame goes out.
- Auto ignition.

Gas on glass 4 burner hob 60cm

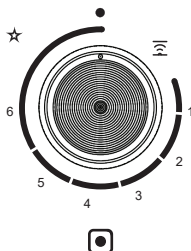


Gas on glass 5 burner hob 70cm



02 Operation Burner operation

- Push and turn the control knob around to the spark zone (☆) of the control and the thermocouple will spark multiple times until the gas lights; release immediately.
- Reduce the gas level to suit the cooking required.
- If the gas fails to light first time, please try again.
- After cooking, switch off the burner by turning the control knob back to the off position (●).



CAUTION: If there is no electric current you can light the burners with a piezo electric spark gas ignitor.

The burners can only be lit with the safety thermocouples when the control knob is on MAXIMUM.

Do not use cooking vessels on the hob that overlap the edges of the pan supports.



WARNING: Always switch off the electricity and gas supply before performing maintenance work. In the event of a fault, contact customer services at the end of the care and maintenance section.

Controlling the cooker hood remotely





IMPORTANT: This section is only applicable if you have also purchased a compatible cooker hood with Radio Frequency (RF) capability. Contact the Customer Helpline at the end of this manual for compatible models.

01 Before First Use

This gas hob model and a compatible cooker hood model must be paired by Radio Frequency (RF) before remote control can occur.


When connected the power output of the gas hob will control the extraction rate of the cooker hood.

02 To Set Up Connectivity

1. Make sure that the hob and the hood are switched off.
2. Switch on the hood and press the Timer icon  and Light icon  together on the control panel of the hood. The LED display will flash.



3. Press any of the control knobs down for approximately ten seconds to connect the hob to the hood and the thermocouple will click constantly.

After connection is made, the hood will display "A" in its control panel and the hob will show the RF connectivity icon  on the glass to indicate that the hob and hood are paired.



IMPORTANT: The connectivity operation above must be completed within two minutes of turning on the power to the hood. If this is not successful, switch off both the hood and the hob, wait for one minute and attempt the connectivity again.

03 Using The Connectivity Function

The extraction rate of the hood will vary based upon the total power output selected on the hob, as shown in the table. Each hob cooking zone has a maximum rated output of 6.

Hob: Gas on glass 4 burner GH60GASLK

Hood: Chimney and Curved Glass models, for example: CLCH60LKSS, GHCH60LKBL, CLCG60LKSS.

Speed Level of the Hood	Combined Power Output of the Hob
Speed 1	The combined output is 4 or less. For example, zone 1 is on 1, and zone 2 is on 2.
Speed 3	The combined output is between 5 and 8. For example, zone 1 is on 2, zone 2 is on 2 and zone 3 is on 3.
Speed 5	The combined output is between 9 and 16. For example, zone 1 is on 2, zone 2 is on 3, zone 3 is on 5 and zone 4 is on 4.
Speed P	The combined output is greater than 17. For example, zone 1 is on 5, zone 2 is on 6, zone 3 is on 6 and zone 4 is on 6.

Hob: Gas on glass 4 burner GH60GASLK

Hood: Bamia models, for example: GHAGML90, GHAGRE90, GHAGRO90

Speed Level of the Hood	Combined Power Output of the Hob
Speed 2	The combined output is 4 or less. For example, zone 1 is on 1, and zone 2 is on 2.
Speed 4	The combined output is between 5 and 8. For example, zone 1 is on 2, zone 2 is on 2 and zone 3 is on 3.
Speed 5	The combined output is between 9 and 16. For example, zone 1 is on 2, zone 2 is on 3, zone 3 is on 5 and zone 4 is on 4.
Speed P	The combined output is greater than 17. For example, zone 1 is on 5, zone 2 is on 6, zone 3 is on 6 and zone 4 is on 6.

Hob: Gas on glass 4 burner GH60GASLK

Hood: Angled glass models, for example: CLAG60LKBL, GHAG60LKBL, CLAG90AKBL.

Speed Level of the Hood	Combined Power Output of the Hob
Speed 1	The combined output is 4 or less. For example, zone 1 is on 1, and zone 2 is on 2.
Speed 2	The combined output is between 5 and 8. For example, zone 1 is on 2, zone 2 is on 2 and zone 3 is on 3.
Speed 3	The combined output is greater than 9. For example, zone 1 is on 2, zone 2 is on 3, zone 3 is on 2 and zone 4 is on 1.

Hob: Gas on glass 5 burner GH78GASLK

Hood: Chimney and Curved Glass models, for example: CLCH60LKSS, GHCH60LKBL, CLCG60LKSS

Speed Level of the Hood	Combined Power Output of the Hob
Speed 1	The combined output is 5 or less. For example, zone 1 is on 2, and zone 2 is on 2.
Speed 3	The combined output is between 6 and 15. For example, zone 1 is on 2, zone 2 is on 4 and zone 3 is on 3.
Speed 5	The combined output is between 16 and 20. For example, zone 1 is on 2, zone 2 is on 5, zone 3 is on 5 and zone 4 is on 6.
Speed P	The combined output is greater than 21. For example, zone 1 is on 5, zone 2 is on 6, zone 3 is on 6, zone 4 is on 6 and zone 5 is on 6.

Hob: Gas on glass 5 burner GH78GASLK

Hood: Bamia models, for example: GHAGML90, GHAGRE90, GHAGRO90.

Speed Level of the Hood	Combined Power Output of the Hob
Speed 2	The combined output is 5 or less. For example, zone 1 is on 2, and zone 2 is on 2.
Speed 4	The combined output is between 6 and 15. For example, zone 1 is on 2, zone 2 is on 4 and zone 3 is on 3.
Speed 5	The combined output is between 16 and 20. For example, zone 1 is on 2, zone 2 is on 5, zone 3 is on 5 and zone 4 is on 6.
Speed P	The combined output is greater than 21. For example, zone 1 is on 5, zone 2 is on 6, zone 3 is on 6, zone 4 is on 6 and zone 5 is on 6.

Hob: Gas on glass 5 burner GH78GASLK

Hood: Angled glass models, for example: CLAG60LKBL, GHAG60LKBL, CLAG90AKBL.

Speed Level of the Hood	Combined Power Output of the Hob
Speed 1	The combined output is 5 or less. For example, zone 1 is on 2, and zone 2 is on 2.
Speed 2	The combined output is between 6 and 16. For example, zone 1 is on 2, zone 2 is on 4 and zone 3 is on 3.
Speed 3	The combined output is greater than 16. For example, zone 1 is on 3, zone 2 is on 2 , zone 3 is on 3, zone 4 is on 2 and zone 5 is on 5.

If the hood controls are manually overridden when the hob and hood are linked, the hood will operate for five minutes on this manual setting before returning to control by the hob.

To reconnect the hood and hob immediately, press the Timer and Light keys together on the cooker hood.

04 Stopping the connectivity function

1. Turning off the gas hob will stop the connectivity with the hood, but this will be restored automatically when the hob is turned on again.
2. If the hob is switched off, the hood will continue to operate in its Timer Mode and will step down through the fan speeds automatically.

The motor of the hood will continue for 5 minutes at the current speed and step down for 2 minutes at each level until finally switching off.

Avant de commencer

- Allumer l'appareil au niveau du tableau électrique principal. L'appareil est prêt à l'emploi.

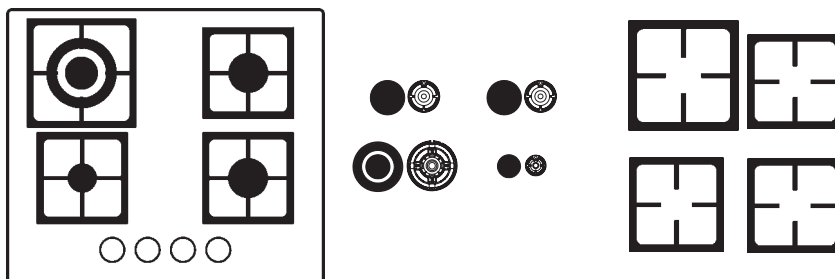


AVERTISSEMENT : Lire les instructions avant d'utiliser l'appareil.

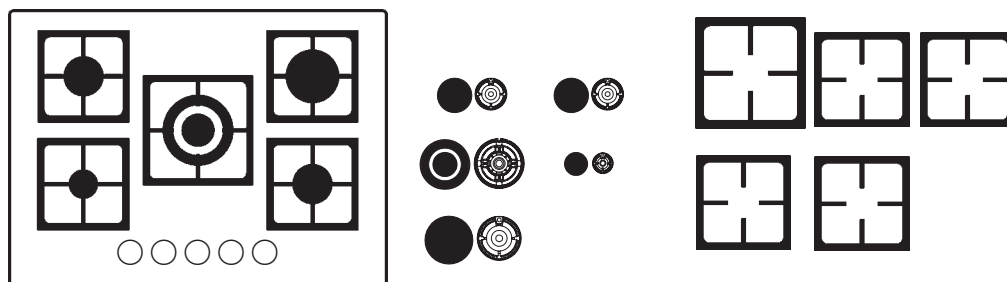
01 Fonctions et réglages

- Dispositif de sécurité de flamme (DSF) : arrête l'alimentation en gaz de la plaque de cuisson lorsque la flamme s'éteint.
- Allumage automatique.

Plaque de cuisson au gaz avec surface en verre, 4 brûleurs, 60cm

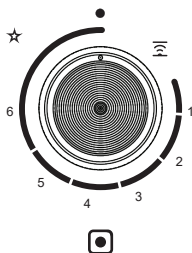


Plaque de cuisson au gaz avec surface en verre, 5 brûleurs, 70cm



02 Fonctionnement du brûleur

- Pousser et tourner le bouton de commande vers la zone d'allumage (☆) de la commande pour que le thermocouple produise plusieurs fois des étincelles jusqu'à ce que le gaz s'allume ; le relâcher immédiatement.
- Réduire le niveau de gaz en fonction de la cuisson requise.
- Si le gaz ne s'allume pas la première fois, réessayer.
- Après la cuisson, éteindre le brûleur en tournant le bouton de commande sur la position arrêt (●).



ATTENTION : S'il n'y a pas de courant électrique, il est possible d'allumer les brûleurs avec un allumeur de gaz piézoélectrique.

Les brûleurs ne peuvent être allumés qu'avec des thermocouples de sécurité lorsque le bouton de commande est au MAXIMUM.

Ne pas utiliser de récipients de cuisson plus larges que les zones de cuisson de la plaque.



AVERTISSEMENT : Toujours couper l'alimentation électrique et en gaz avant d'effectuer des opérations d'entretien. En cas de panne, contacter le service client indiqué à la fin de la section "Entretien et maintenance".

Commande à distance de la hotte





IMPORTANT : Cette section n'est valable que si vous avez également acheté une hotte compatible avec radiofréquence (RF). Contactez l'assistance téléphonique mentionnée à la fin de ce manuel pour connaître les modèles compatibles.

01 Avant la première utilisation

Ce modèle de plaque de cuisson à gaz et un modèle de hotte compatible doivent être couplés par radiofréquence (RF) avant de pouvoir utiliser la fonction de commande à distance.


Une fois la connexion établie, la puissance de sortie de la plaque de cuisson à gaz contrôle le taux d'extraction de la hotte.

02 Configuration de la connectivité

1. S'assurer que la plaque de cuisson et la hotte sont éteintes.
2. Allumer la hotte et appuyer simultanément sur l'icône de minuterie  et l'icône d'éclairage  sur le panneau de commande de la hotte. L'affichage LED clignote.



3. Appuyer sur l'un des boutons de commande pendant environ dix secondes pour connecter la plaque de cuisson à la hotte ; le thermocouple émet un déclic en permanence.

Une fois la connexion établie, la hotte affiche « A » sur son panneau de commande et la plaque de cuisson affiche l'icône de connectivité RF  sur la surface en verre pour indiquer que la plaque de cuisson et la hotte sont couplées.



IMPORTANT : L'opération de connectivité ci-dessus doit être effectuée dans les deux minutes suivant la mise sous tension de la hotte. En cas d'échec, éteindre la hotte et la plaque de cuisson, attendre une minute et relancer la connectivité.

03 Utilisation de la fonction de connectivité

Le taux d'extraction de la hotte varie en fonction de la puissance de sortie totale sélectionnée sur la plaque de cuisson, comme indiqué dans le tableau. Chaque zone de la plaque de cuisson présente une puissance nominale maximale de 6.

Plaque de cuisson : 4 brûleurs à gaz avec surface en verre GH60GASLK

Hotte : modèles à cheminée et incurvé en verre, par exemple : CLCH60LKSS, GHCH60LKBL et CLCG60LKSS.

Niveau de vitesse de la hotte	Puissance de sortie combinée de la plaque de cuisson
Vitesse 1	La puissance combinée est de 4 ou moins. Par exemple, la zone 1 est sur 1 et la zone 2 est sur 2.
Vitesse 3	La puissance combinée est comprise entre 5 et 8. Par exemple, la zone 1 est sur 2, la zone 2 est sur 2 et la zone 3 est sur 3.
Vitesse 5	La puissance combinée est comprise entre 9 et 16. Par exemple, la zone 1 est sur 2, la zone 2 est sur 3, la zone 3 est sur 5 et la zone 4 est sur 4.
Vitesse P	La puissance combinée est supérieure à 17. Par exemple, la zone 1 est sur 5, la zone 2 est sur 6, la zone 3 est sur 6 et la zone 4 est sur 6.

Plaque de cuisson : 4 brûleurs à gaz avec surface en verre GH60GASLK

Hotte : modèles Bamia, par exemple : GHAGML90, GHAGRE90 et GHAGRO90.

Niveau de vitesse de la hotte	Puissance de sortie combinée de la plaque de cuisson
Vitesse 1	La puissance combinée est de 4 ou moins. Par exemple, la zone 1 est sur 1 et la zone 2 est sur 2.
Vitesse 3	La puissance combinée est comprise entre 5 et 8. Par exemple, la zone 1 est sur 2, la zone 2 est sur 2 et la zone 3 est sur 3.
Vitesse 5	La puissance combinée est comprise entre 9 et 16. Par exemple, la zone 1 est sur 2, la zone 2 est sur 3, la zone 3 est sur 5 et la zone 4 est sur 4.
Vitesse P	La puissance combinée est supérieure à 17. Par exemple, la zone 1 est sur 5, la zone 2 est sur 6, la zone 3 est sur 6 et la zone 4 est sur 6.

Plaque de cuisson : 4 brûleurs à gaz avec surface en verre GH60GASLK

Hotte : modèles inclinés en verre, par exemple : CLAG60LKBL, GHAG60LKBL et CLAG90AKBL.

Niveau de vitesse de la hotte	Puissance de sortie combinée de la plaque de cuisson
Vitesse 1	La puissance combinée est de 4 ou moins. Par exemple, la zone 1 est sur 1 et la zone 2 est sur 2.
Vitesse 2	La puissance combinée est comprise entre 5 et 8. Par exemple, la zone 1 est sur 2, la zone 2 est sur 2 et la zone 3 est sur 3.
Vitesse 3	La puissance combinée est supérieure à 9. Par exemple, la zone 1 est sur 2, la zone 2 est sur 3, la zone 3 est sur 2 et la zone 4 est sur 1.

Plaque de cuisson : 5 brûleurs à gaz avec surface en verre GH78GASLK

Hotte : modèles à cheminée et incurvé en verre, par exemple : CLCH60LKSS, GHCH60LKBL et CLCG60LKSS.

Niveau de vitesse de la hotte	Puissance de sortie combinée de la plaque de cuisson
Vitesse 1	La puissance combinée est de 5 ou moins. Par exemple, la zone 1 est sur 2 et la zone 2 est sur 2.
Vitesse 3	La puissance combinée est comprise entre 6 et 15. Par exemple, la zone 1 est sur 2, la zone 2 est sur 4 et la zone 3 est sur 3.
Vitesse 5	La puissance combinée est comprise entre 16 et 20. Par exemple, la zone 1 est sur 2, la zone 2 est sur 5, la zone 3 est sur 5 et la zone 4 est sur 6.
Vitesse P	La puissance combinée est supérieure à 21. Par exemple, la zone 1 est sur 5, la zone 2 est sur 6, la zone 3 est sur 6, la zone 4 est sur 6 et la zone 5 est sur 6.

Plaque de cuisson : 5 brûleurs à gaz avec surface en verre GH78GASLK

Hotte : modèles Bamia, par exemple : GHAGML90, GHAGRE90 et GHAGRO90.

Niveau de vitesse de la hotte	Puissance de sortie combinée de la plaque de cuisson
Vitesse 2	La puissance combinée est de 5 ou moins. Par exemple, la zone 1 est sur 2 et la zone 2 est sur 2.
Vitesse 4	La puissance combinée est comprise entre 6 et 15. Par exemple, la zone 1 est sur 2, la zone 2 est sur 4 et la zone 3 est sur 3.
Vitesse 5	La puissance combinée est comprise entre 16 et 20. Par exemple, la zone 1 est sur 2, la zone 2 est sur 5, la zone 3 est sur 5 et la zone 4 est sur 6.
Vitesse P	La puissance combinée est supérieure à 21. Par exemple, la zone 1 est sur 5, la zone 2 est sur 6, la zone 3 est sur 6, la zone 4 est sur 6 et la zone 5 est sur 6.

Hob: Gas on glass 5 burner GH78GASLK

Hotte : modèles inclinés en verre, par exemple : CLAG60LKBL, GHAG60LKBL et CLAG90AKBL.

Niveau de vitesse de la hotte	Puissance de sortie combinée de la plaque de cuisson
Vitesse 1	La puissance combinée est de 5 ou moins. Par exemple, la zone 1 est sur 2 et la zone 2 est sur 2.
Vitesse 2	La puissance combinée est comprise entre 6 et 16. Par exemple, la zone 1 est sur 2, la zone 2 est sur 4 et la zone 3 est sur 3.
Vitesse 3	La puissance combinée est supérieure à 16. Par exemple, la zone 1 est sur 3, la zone 2 est sur 2, la zone 3 est sur 3, la zone 4 est sur 2 et la zone 5 est sur 5.

Si les commandes de la hotte sont modifiées manuellement lorsque la plaque de cuisson et la hotte sont connectées, la hotte fonctionne pendant cinq minutes sur ce réglage manuel avant de revenir au contrôle par la plaque de cuisson.

Pour reconnecter immédiatement la hotte et la plaque de cuisson, appuyer simultanément sur les touches de minuterie et d'éclairage de la hotte.

04 Arrêt de la fonction de connectivité

1. L'arrêt de la plaque de cuisson au gaz interrompt la connexion avec la hotte, mais elle est rétablie automatiquement lorsque la plaque de cuisson est rallumée.
2. Si la plaque de cuisson est éteinte, la hotte continue à fonctionner en mode minuterie et réduisant automatiquement les vitesses du ventilateur.

Le moteur de la hotte est maintenu pendant 5 minutes au niveau de vitesse actuel, puis ralentit progressivement en restant 2 minutes sur chacun des niveaux inférieurs jusqu'à s'arrêter.

Przed rozpoczęciem użytkowania

- Włączyć urządzenie z poziomu rozdzielni. Urządzenie jest gotowe do użytku.

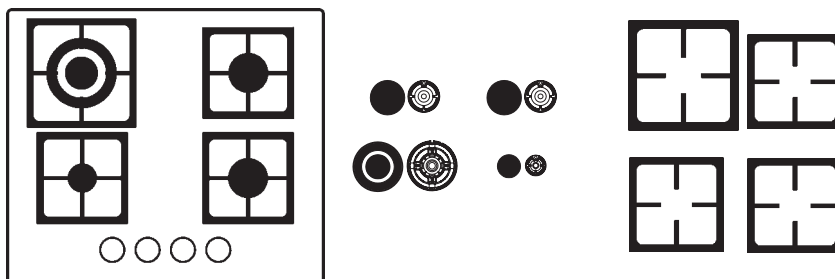


OSTRZEŻENIE: Przed rozpoczęciem korzystania z urządzenia zapoznać się z instrukcją obsługi.

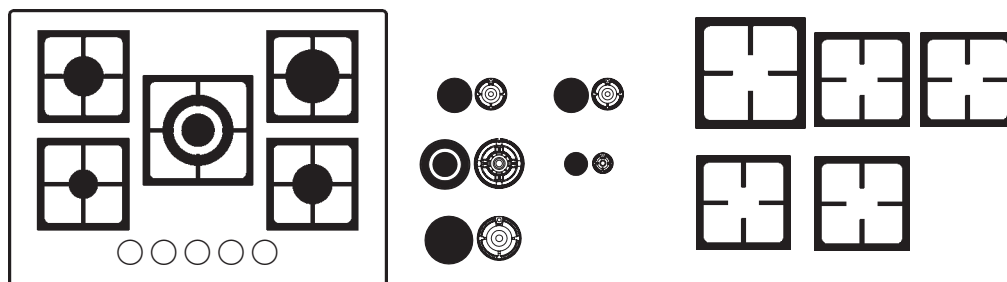
01 Funkcje i ustawienia

- Zabezpieczenie na wypadek zgaśnięcia płomienia (FSD): zatrzymuje dopływ gazu do płyty gazowej w przypadku zgaśnięcia płomienia.
- Funkcja automatycznego zapłonu.

Płyta gazowa szklana 4–palnikowa 60 cm

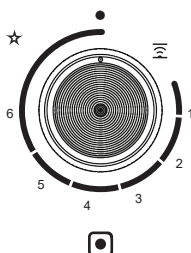


Płyta gazowa szklana 5–palnikowa 70 cm



02 Działanie palnika

- Wcisnąć i obrócić pokrętkę sterującą w położenie zapłonu (☆) — termoogniwo zacznie wytwarzać iskry. Gdy nastąpi zapłon gazu, natychmiast zwolnić pokrętkę.
- Zmniejszyć wielkość płomienia, aby dostosować intensywność gotowania do potrzeb.
- Jeśli za pierwszym razem płomień się nie zapali, należy spróbować ponownie.
- Po zakończeniu gotowania wyłączyć palnik, obracając pokrętkę sterującą z powrotem w położenie wyłączenia (●).



UWAGA: W przypadku braku zasilania elektrycznego palnika można zapalać przy użyciu zapalarki piezoelektrycznej.

Palniki można zapalić tylko wtedy, gdy umożliwiają to termoogniwa zabezpieczające, tj. gdy pokrętło znajduje się w położeniu płomienia **MAKSYMALNEGO**.

Nie wolno używać do gotowania na płycie grzewczej naczyń, które zachodzą na krawędzie rusztu.



OSTRZEŻENIE: Przed przystąpieniem do czynności konserwacyjnych należy obowiązkowo wyłączyć zasilanie elektryczne. W przypadku wystąpienia usterki należy skontaktować się z działem obsługi klienta. Dane kontaktowe znajdują się na końcu rozdziału dotyczącego czyszczenia i konserwacji urządzenia.

Zdalne sterowanie okapem kuchennym





WAŻNE: Ten rozdział ma zastosowanie tylko w przypadku jednoczesnego zakupu kompatybilnego okapu kuchennego sterowanego sygnałem radiowym (RF). W celu uzyskania informacji o zgodnych modelach należy zadzwonić na infolinię dla klientów — dane kontaktowe na końcu niniejszej instrukcji.

01 Przed pierwszym użyciem

Aby móc korzystać z funkcji zdalnego sterowania, ten model płyty gazowej i kompatybilny z nim model okapu kuchennego należy najpierw sparować, wykorzystując częstotliwość radiową (RF).


Po połączeniu urządzeń płyta gazowa będzie sterować mocą wyciągu okapu.

02 Konfiguracja połączenia

1. Upewnij się, że płyta indukcyjna i okap są wyłączone.
2. Włącz okap i naciśnij jednocześnie ikonę timera  oraz ikonę oświetlenia  na panelu sterowania okapu. Wyświetlacz LED zacznie migać.



3. Naciśnij dowolne pokrętko sterujące i przytrzymaj przez dziesięć sekund, aby nawiązać połączenie między płytą grzewczą a okapem — czynności tej będzie towarzyszyć ciągłe klikanie termooigniwa.

Po nawiązaniu połączenia okap wyświetli wskazanie „A” na panelu sterowania, a na płycie grzewczej zaświeci się ikona połączenia radiowego , aby zasygnalizować, że płyta i okap zostały sparowane.



WAŻNE: Opisaną wyżej procedurę nawiązania połączenia należy przeprowadzić w ciągu dwóch minut od włączenia zasilania okapu. W przypadku niepowodzenia wyłączyć okap i płytę, odczekać minutę i ponownie spróbować nawiązać połączenie.

03 Używanie funkcji połączenia

Wydajność wyciągu będzie się wahać w zależności od całkowitej mocy wybranej na płycie, jak pokazano w tabeli poniżej. Każda strefa grzewcza ma 6.

Płyta grzewcza: Płyta gazowa szklana 4–palnikowa GH60GASLK

Okap: Modele kominowe i szklane skośne, np.: CLCH60LKSS, GHCH60LKBL, CLCG60LKSS.

Poziom prędkości okapu	Łączna moc płyty grzewczej
Prędkość 1	Łączna moc wynosi 4 lub mniej. Przykład: dla strefy 1 wybrano poziom 1, a dla strefy 2 poziom 2.
Prędkość 3	Łączna moc wynosi od 5 do 8. Przykład: dla strefy 1 wybrano poziom 2, dla strefy 2 poziom 2, a dla strefy 3 poziom 3.
Prędkość 5	Łączna moc wynosi od 9 do 16. Przykład: dla strefy 1 wybrano poziom 2, dla strefy 2 poziom 3, dla strefy 3 poziom 5, a dla strefy 4 poziom 4.
Prędkość P	Łączna moc przekracza 17. Przykład: dla strefy 1 wybrano poziom 5, dla strefy 2 poziom 6, dla strefy 3 poziom 6, a dla strefy 4 poziom 6.

Płyta grzewcza: Płyta gazowa szklana 4–palnikowa GH60GASLK
Okap: modele Bamia, np.: GHAGML90, GHAGRE90, GHAGRO90.

Poziom prędkości okapu	Łączna moc płyty grzewczej
Prędkość 2	Łączna moc wynosi 4 lub mniej. Przykład: dla strefy 1 wybrano poziom 1, a dla strefy 2 poziom 2.
Prędkość 4	Łączna moc wynosi od 5 do 8. Przykład: dla strefy 1 wybrano poziom 2, dla strefy 2 poziom 2, a dla strefy 3 poziom 3.
Prędkość 5	Łączna moc wynosi od 9 do 16. Przykład: dla strefy 1 wybrano poziom 2, dla strefy 2 poziom 3, dla strefy 3 poziom 5, a dla strefy 4 poziom 4.
Prędkość P	Łączna moc przekracza 17. Przykład: dla strefy 1 wybrano poziom 5, dla strefy 2 poziom 6, dla strefy 3 poziom 6, a dla strefy 4 poziom 6.

Płyta grzewcza: Płyta gazowa szklana 4–palnikowa GH60GASLK
Okap: modele szklane skośne, np.: CLAG60LKBL, GHAG60LKBL, CLAG90AKBL.

Poziom prędkości okapu	Łączna moc płyty grzewczej
Prędkość 1	Łączna moc wynosi 4 lub mniej. Przykład: dla strefy 1 wybrano poziom 1, a dla strefy 2 poziom 2.
Prędkość 2	Łączna moc wynosi od 5 do 8. Przykład: dla strefy 1 wybrano poziom 2, dla strefy 2 poziom 2, a dla strefy 3 poziom 3.
Prędkość 3	Łączna moc przekracza 9. Przykład: dla strefy 1 wybrano poziom 2, dla strefy 2 poziom 3, dla strefy 3 poziom 2, a dla strefy 4 poziom 1.

Płyta grzewcza: Płyta gazowa szklana 5–palnikowa GH78GASLK
Okap: Modele kominowe i szklane skośne, np.: CLCH60LKSS, GHCH60LKBL, CLCG60LKSS.

Poziom prędkości okapu	Łączna moc płyty grzewczej
Prędkość 1	Łączna moc wynosi 5 lub mniej. Przykład: dla strefy 1 wybrano poziom 2, a dla strefy 2 poziom 2.
Prędkość 3	Łączna moc wynosi od 6 do 15. Przykład: dla strefy 1 wybrano poziom 2, dla strefy 2 poziom 4, a dla strefy 3 poziom 3.
Prędkość 5	Łączna moc wynosi od 16 do 20. Przykład: dla strefy 1 wybrano poziom 2, dla strefy 2 poziom 5, dla strefy 3 poziom 5, a dla strefy 4 poziom 6.
Prędkość P	Łączna moc przekracza 21. Przykład: dla strefy 1 wybrano poziom 5, dla strefy 2 poziom 6, dla strefy 3 poziom 6, dla strefy 4 poziom 6, a dla strefy 5 poziom 6.

Płyta grzewcza: Płyta gazowa szklana 5–palnikowa GH78GASLK
Okap: modele Bamia, np.: GHAGML90, GHAGRE90, GHAGRO90.

Poziom prędkości okapu	Łączna moc płyty grzewczej
Prędkość 2	Łączna moc wynosi 5 lub mniej. Przykład: dla strefy 1 wybrano poziom 2, a dla strefy 2 poziom 2.
Prędkość 4	Łączna moc wynosi od 6 do 15. Przykład: dla strefy 1 wybrano poziom 2, dla strefy 2 poziom 4, a dla strefy 3 poziom 3.
Prędkość 5	Łączna moc wynosi od 16 do 20. Przykład: dla strefy 1 wybrano poziom 2, dla strefy 2 poziom 5, dla strefy 3 poziom 5, a dla strefy 4 poziom 6.
Prędkość P	Łączna moc przekracza 21. Przykład: dla strefy 1 wybrano poziom 5, dla strefy 2 poziom 6, dla strefy 3 poziom 6, dla strefy 4 poziom 6, a dla strefy 5 poziom 6.

Hob: Gas on glass 5 burner GH78GASLK

Okap: modele szklane skośne, np.: CLAG60LKBL, GHAG60LKBL, CLAG90AKBL.

Poziom prędkości okapu	Łączna moc płyty grzewczej
Prędkość 1	Łączna moc wynosi 5 lub mniej. Przykład: dla strefy 1 wybrano poziom 2, a dla strefy 2 poziom 2.
Prędkość 2	Łączna moc wynosi od 6 do 16. Przykład: dla strefy 1 wybrano poziom 2, dla strefy 2 poziom 4, a dla strefy 3 poziom 3.
Prędkość 3	Łączna moc przekracza 16. Przykład: dla strefy 1 wybrano poziom 3, dla strefy 2 poziom 2, dla strefy 3 poziom 3, dla strefy 4 poziom 2, a dla strefy 5 poziom 5.

Jeśli po nawiązaniu połączenia między okapem a płytą zostanie uruchomione sterowanie ręczne, okap będzie kontynuował pracę w tym trybie przez kolejne pięć minut, a potem ponownie sterowanie przejmie płyta.

Aby powtórnie połączyć okap i płytę, należy nacisnąć jednocześnie przyciski timera i oświetlenia na okapie kuchennym.

04 Wyłączanie funkcji połączenia

1. Wyłączenie płyty gazowej spowoduje przerwanie łączności z okapem, jednak zostanie ona przywrócona automatycznie po ponownym włączeniu płyty.
2. Jeśli płyta zostanie wyłączona, okap będzie kontynuował pracę w trybie timera i automatycznie zmniejszył prędkość wentylatora.

Aktualne ustawienie prędkości silnika okapu utrzyma się przez 5 minut, a następnie obniży się o jeden poziom i będzie aktywne przez 2 minuty na każdym z kolejnych poziomów, aż do wyłączenia urządzenia.

Înainte de a începe

- Pornește aparatul de la tabloul de distribuție. Aparatul este gata de utilizare.

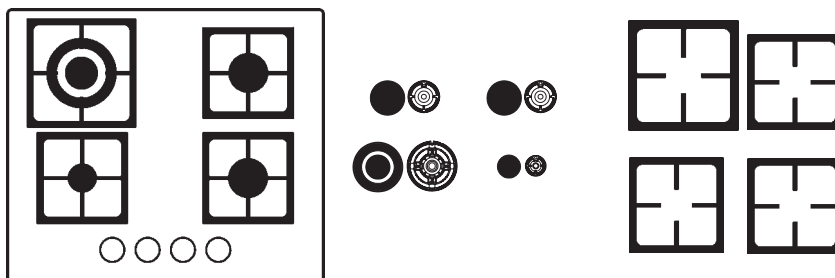


AVERTISMENT: Citește instrucțiunile înainte de a utiliza aparatul.

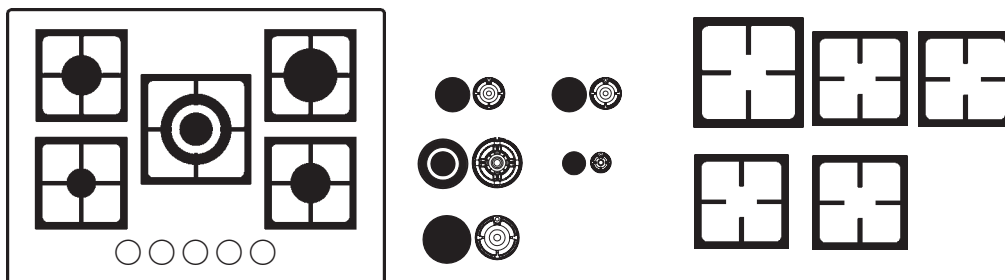
01 Funcție și setări

- Dispozitiv de siguranță a flăcării (FSD): Oprește alimentarea cu gaz a plitei atunci când flacăra se stinge.
- Aprindere automată.

Plită pe gaz din sticlă cu 4 arzătoare, 60 cm

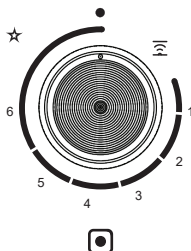


Plită pe gaz din sticlă cu 5 arzătoare, 70 cm



02 Operarea arzătorului

- Apasă și rotește butonul de control până la zona de scânteie (☆) a comenzii, iar termocuplul va scăpăra de mai multe ori până se aprinde gazul. Eliberează imediat.
- Redu nivelul de gaz în funcție de modul de gătit necesar.
- Dacă gazul nu se aprinde de prima dată, încearcă din nou.
- După gătit, oprește arzătorul rotind butonul de control înapoi la poziția oprit (●).



ATENȚIE: Dacă nu există curent electric, poți aprinde arzătoarele cu un sistem de aprindere piezoelectric.

Arzătoarele pot fi aprinse cu termocuplurile de siguranță numai atunci când butonul de control este în poziția MAXIMUM.

Nu utiliza pe plită vase de gătit care depășesc marginile suporturilor de vase.



AVERTISMENT: Deconectează întotdeauna sursele de alimentare cu energie electrică și gaz înainte de a efectua lucrări de întreținere. În caz de defecțiune, contactează serviciul de Asistență clienți menționat la sfârșitul secțiunii Îngrijire și întreținere.

Controlarea de la distanță a hotei





IMPORTANT: Această secțiune se aplică numai dacă ai cumpărat și o hotă compatibilă care are radiofrecvență (RF). Contactează linia de Asistență clienți de la finalul acestui manual pentru modelele compatibile.

01 Înainte de prima utilizare

Acest model de plită pe gaz și un model compatibil de hotă trebuie asociate prin radiofrecvență (RF) înainte de a putea fi acționate de la distanță.


Când este conectată, puterea generată de plita pe gaz va controla debitul de evacuare al hotei.

02 Configurarea conectivității

1. Asigură-te că plita și hota sunt oprite.
2. Pornește hota și apasă simultan pictograma Temporizator  și pictograma Lumină  de pe panoul de comandă al hotei. Afișajul cu LED va lumina intermitent.



3. Apasă oricare dintre butoanele de control timp de aproximativ zece secunde pentru a conecta plita cu hota, iar termocuplul va emite constant clicuri.

După ce se realizează conexiunea, hota va afișa „A” pe panoul de comandă, iar plita va afișa pictograma de conectivitate prin RF  pe sticlă pentru a arăta că plita și hota sunt asociate.



IMPORTANT: Operațiile de conectivitate de mai sus trebuie realizate în interval de două minute de la pornirea alimentării la hotă. Dacă operațiile nu reușesc, opriți atât hota, cât și plita, așteptați un minut și încercați din nou să vă conectați.

03 Folosirea funcției de conectivitate

Debitul de evacuare al hotei va diferi în funcție de puterea totală generată selectată pentru plită, astfel cum se indică în tabel. Fiecare zonă de gătit a plitei are o putere nominală maximă de 6.

Plită: Plită pe gaz din sticlă cu 4 arzătoare GH60GASLK

Hotă: Modele decorative și curbate din sticlă, de exemplu: CLCH60LKSS, GHCH60LKBL, CLCG60LKSS.

Nivelul de turație al hotei	Puterea generată combinată a plitei
Turația 1	Puterea combinată este 4 sau mai mică. De exemplu, zona 1 este la 1 și zona 2 este la 2.
Turația 3	Puterea combinată este între 5 și 8. De exemplu, zona 1 este la 2, zona 2 este la 2 și zona 3 este la 3.
Turația 5	Puterea combinată este între 9 și 16. De exemplu, zona 1 este la 2, zona 2 este la 3, zona 3 este la 5 și zona 4 este la 4.
Turația P	Puterea combinată este mai mare de 17. De exemplu, zona 1 este la 5, zona 2 este la 6, zona 3 este la 6 și zona 4 este la 6.

Plită: Plită pe gaz din sticlă cu 4 arzătoare GH60GASLK

Hotă: Modele Bamia, de exemplu: GHAGML90, GHAGRE90, GHAGRO90.

Nivelul de turație al hotei	Puterea generată combinată a plitei
Turația 2	Puterea combinată este 4 sau mai mică. De exemplu, zona 1 este la 1 și zona 2 este la 2.
Turația 4	Puterea combinată este între 5 și 8. De exemplu, zona 1 este la 2, zona 2 este la 2 și zona 3 este la 3.
Turația 5	Puterea combinată este între 9 și 16. De exemplu, zona 1 este la 2, zona 2 este la 3, zona 3 este la 5 și zona 4 este la 4.
Turația P	Puterea combinată este mai mare de 17. De exemplu, zona 1 este la 5, zona 2 este la 6, zona 3 este la 6 și zona 4 este la 6.

Plită: Plită pe gaz din sticlă cu 4 arzătoare GH60GASLK

Hotă: Modele decorative înclinate, de exemplu: CLAG60LKBL, GHAG60LKBL, CLAG90AKBL.

Nivelul de turație al hotei	Puterea generată combinată a plitei
Turația 1	Puterea combinată este 4 sau mai mică. De exemplu, zona 1 este la 1 și zona 2 este la 2.
Turația 2	Puterea combinată este între 5 și 8. De exemplu, zona 1 este la 2, zona 2 este la 2 și zona 3 este la 3.
Turația 3	Puterea combinată este mai mare de 9. De exemplu, zona 1 este la 2, zona 2 este la 3, zona 3 este la 2 și zona 4 este la 1.

Plită: Plită pe gaz din sticlă cu 5 arzătoare GH78GASLK

Hotă: Modele decorative și curbate din sticlă, de exemplu: CLCH60LKSS, GHCH60LKBL, CLCG60LKSS.

Nivelul de turație al hotei	Puterea generată combinată a plitei
Turația 1	Puterea combinată este 5 sau mai mică. De exemplu, zona 1 este la 2 și zona 2 este la 2.
Turația 3	Puterea combinată este între 6 și 15. De exemplu, zona 1 este la 2, zona 2 este la 4 și zona 3 este la 3.
Turația 5	Puterea combinată este între 16 și 20. De exemplu, zona 1 este la 2, zona 2 este la 5, zona 3 este la 5 și zona 4 este la 6.
Turația P	Puterea combinată este mai mare de 21. De exemplu, zona 1 este la 5, zona 2 este la 6, zona 3 este la 6, zona 4 este la 6 și zona 5 este la 6.

Plită: Plită pe gaz din sticlă cu 5 arzătoare GH78GASLK

Hotă: Modele Bamia, de exemplu: GHAGML90, GHAGRE90, GHAGRO90.

Nivelul de turație al hotei	Puterea generată combinată a plitei
Turația 2	Puterea combinată este 5 sau mai mică. De exemplu, zona 1 este la 2 și zona 2 este la 2.
Turația 4	Puterea combinată este între 6 și 15. De exemplu, zona 1 este la 2, zona 2 este la 4 și zona 3 este la 3.
Turația 5	Puterea combinată este între 16 și 20. De exemplu, zona 1 este la 2, zona 2 este la 5, zona 3 este la 5 și zona 4 este la 6.
Turația P	Puterea combinată este mai mare de 21. De exemplu, zona 1 este la 5, zona 2 este la 6, zona 3 este la 6, zona 4 este la 6 și zona 5 este la 6.

Hob: Gas on glass 5 burner GH78GASLK

Hotă: Modele decorative înclinate, de exemplu: CLAG60LKBL, GHAG60LKBL, CLAG90AKBL.

Nivelul de turație al hotei	Puterea generată combinată a plitei
Turația 1	Puterea combinată este 5 sau mai mică. De exemplu, zona 1 este la 2 și zona 2 este la 2.
Turația 2	Puterea combinată este între 6 și 16. De exemplu, zona 1 este la 2, zona 2 este la 4 și zona 3 este la 3.
Turația 3	Puterea combinată este mai mare de 16. De exemplu, zona 1 este la 3, zona 2 este la 2, zona 3 este la 3, zona 4 este la 2 și zona 5 este la 5.

În cazul în care comenzile hotei sunt anulate manual în momentul conectării plitei cu hota, cea din urmă va funcționa timp de cinci minute la această setare manuală înainte de a reveni la comanda prin intermediul plitei.

Pentru a reconecta imediat hota și plita, apasă simultan tastele Temporizator și Lumină de pe hotă.

04 Oprirea funcției de conectivitate

1. Conectarea la hotă se va opri la stingerea plitei, dar va fi restabilită automat când plita este pornită din nou.
2. Dacă plita este oprită, hota va continua să funcționeze în modul Temporizator, iar turația va scădea treptat automat.

Motorul hotei va continua 5 minute la turația curentă, apoi va scădea timp de 2 minute la fiecare nivel, până când se va opri în cele din urmă.

Antes de empezar

- Encienda el aparato en la unidad de consumo de la red eléctrica. El aparato está listo para su uso.

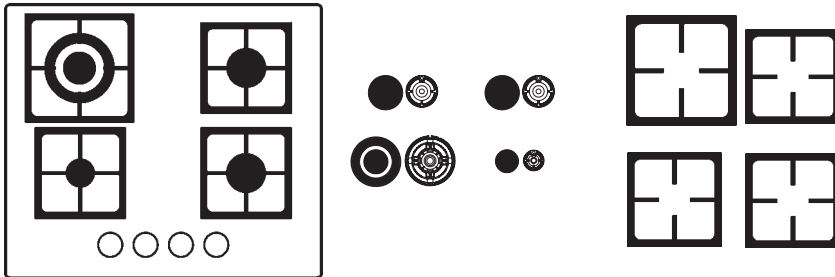


ADVERTENCIA: Lea las instrucciones antes de utilizar el aparato.

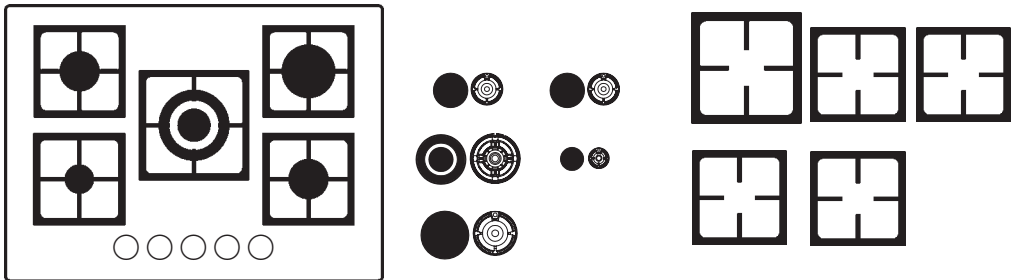
01 Funcionamiento y ajustes

- Dispositivo de seguridad frente a las llamas (FSD): corta el suministro de gas a la placa cuando la llama se apaga.
- Encendido automático.

Placa de gas sobre panel de cristal, 4 fuegos, 60 cm

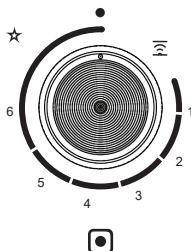


Placa de gas sobre panel de cristal, 5 fuegos, 70 cm



02 Funcionamiento del quemador

- Presione y gire la perilla hasta la zona de encendido (☆) del control y el termopar chispeará varias veces hasta que se encienda el gas; suéltelo inmediatamente.
- Reduzca el nivel de gas para adaptarlo al tipo de cocción.
- Si no se enciende la primera vez, inténtelo de nuevo.
- Después de la cocción, apague el quemador girando la perilla de control a la posición de apagado (●).



PRECAUCIÓN: Si no hay corriente eléctrica, puede encender los quemadores con un encendedor piezoeléctrico.

Los quemadores solo pueden encenderse con termopares de seguridad cuando la perilla de control está en la posición MÁXIMA.

No utilice ollas o sartenes en la placa que sobrepasen los bordes de los soportes para ollas o sartenes.



ADVERTENCIA: Desconecte siempre la alimentación eléctrica y el gas antes de efectuar tareas de mantenimiento. En caso de avería, póngase en contacto con el servicio de atención al cliente (consulte los datos al final de la sección Cuidado y mantenimiento).

Control a distancia de la campana extractora





IMPORTANTE: Esta sección solo es pertinente en caso de haber adquirido también una campana extractora compatible con función de radiofrecuencia (RF). Si desea obtener información sobre los modelos compatibles, póngase en contacto con el servicio de atención al cliente; encontrará los datos al final de este manual.

01 Antes del primer uso

Para poder utilizar el control a distancia, es necesario sincronizar por radiofrecuencia (RF) este modelo de placa de gas y un modelo de campana extractora compatible.


Tras conectarse, la potencia de salida de la placa de gas controlará la velocidad de extracción de la campana extractora.

02 Para configurar la conectividad

1. Asegúrese de que tanto la placa como la campana estén apagadas.
2. Encienda la campana y pulse a la vez el icono del programador  y el icono de luz  del panel de control de la campana. La pantalla LED parpadeará.



3. Presione cualquiera de las perillas de control durante aproximadamente diez segundos para conectar la placa a la campana; el termopar emitirá un clic constante.

Una vez realizada la conexión, la campana mostrará "A" en el panel de control y la placa mostrará el icono de conectividad RF  en el cristal para indicar que la placa y la campana están emparejadas.



IMPORTANTE: La conexión debe establecerse en los dos minutos siguientes tras encender la campana. Si este proceso no se realiza correctamente, apague tanto la campana como la placa, espere un minuto y vuelva a intentar establecer la conexión.

03 Uso de la función de conectividad

La velocidad de extracción de la campana variará en función de la potencia total seleccionada en la placa, como se indica en la tabla. Cada zona de cocción de la placa tiene una potencia nominal máxima de 6.

Placa: Placa de gas sobre panel de cristal, 4 fuegos, GH60GASLK

Campana: Modelos con chimenea y cristal curvado, por ejemplo: CLCH60LKSS, GHCH60LKBL, CLCG60LKSS.

Nivel de velocidad de la campana	Salida de potencia combinada de la placa
Velocidad 1	La salida combinada es de 4 o menos. Por ejemplo, con la zona 1 a 1 y la zona 2 a 2.
Velocidad 3	La salida combinada está entre 5 y 8. Por ejemplo, con la zona 1 a 2, la zona 2 a 2 y la zona 3 a 3.
Velocidad 5	La salida combinada está entre 9 y 16. Por ejemplo, con la zona 1 a 2, la zona 2 a 3, la zona 3 a 5 y la zona 4 a 4.
Velocidad P	La salida combinada es superior a 17. Por ejemplo, con la zona 1 a 5, la zona 2 a 6, la zona 3 a 6 y la zona 4 a 6.

Hob: Gas on glass 4 burner GH60GASLK

Hood: Bamia models, for example: GHAGML90, GHAGRE90, GHAGRO90

Nivel de velocidad de la campana	Salida de potencia combinada de la placa
Velocidad 2	La salida combinada es de 4 o menos. Por ejemplo, con la zona 1 a 1 y la zona 2 a 2.
Velocidad 4	La salida combinada está entre 5 y 8. Por ejemplo, con la zona 1 a 2, la zona 2 a 2 y la zona 3 a 3.
Velocidad 5	La salida combinada está entre 9 y 16. Por ejemplo, con la zona 1 a 2, la zona 2 a 3, la zona 3 a 5 y la zona 4 a 4.
Velocidad P	La salida combinada es superior a 17. Por ejemplo, con la zona 1 a 5, la zona 2 a 6, la zona 3 a 6 y la zona 4 a 6.

Placa: Placa de gas sobre panel de cristal, 4 fuegos, GH60GASLK

Hood: Angled glass models, for example: CLAG60LKBL, GHAG60LKBL, CLAG90AKBL.

Nivel de velocidad de la campana	Salida de potencia combinada de la placa
Velocidad 1	La salida combinada es de 4 o menos. Por ejemplo, con la zona 1 a 1 y la zona 2 a 2.
Velocidad 2	La salida combinada está entre 5 y 8. Por ejemplo, con la zona 1 a 2, la zona 2 a 2 y la zona 3 a 3.
Velocidad 3	La salida combinada es superior a 9. Por ejemplo, con la zona 1 a 2, la zona 2 a 3, la zona 3 a 2 y la zona 4 a 1.

Hob: Gas on glass 5 burner GH78GASLK

Campana: Modelos con chimenea y cristal curvado, por ejemplo: CLCH60LKSS, GHCH60LKBL, CLCG60LKSS.

Nivel de velocidad de la campana	Salida de potencia combinada de la placa
Velocidad 1	La salida combinada es de 5 o menos. Por ejemplo, con la zona 1 a 2 y la zona 2 a 2.
Velocidad 3	La salida combinada está entre 6 y 15. Por ejemplo, con la zona 1 a 2, la zona 2 a 4 y la zona 3 a 3.
Velocidad 5	La salida combinada está entre 16 y 20. Por ejemplo, con la zona 1 a 2, la zona 2 a 5, la zona 3 a 5 y la zona 4 a 6.
Velocidad P	La salida combinada es superior a 21. Por ejemplo, con la zona 1 a 5, la zona 2 a 6, la zona 3 a 6, la zona 4 a 6 y la zona 5 a 6.

Hob: Gas on glass 5 burner GH78GASLK

Hood: Bamia models, for example: GHAGML90, GHAGRE90, GHAGRO90.

Nivel de velocidad de la campana	Salida de potencia combinada de la placa
Velocidad 2	La salida combinada es de 5 o menos. Por ejemplo, con la zona 1 a 2 y la zona 2 a 2.
Velocidad 4	La salida combinada está entre 6 y 15. Por ejemplo, con la zona 1 a 2, la zona 2 a 4 y la zona 3 a 3.
Velocidad 5	La salida combinada está entre 16 y 20. Por ejemplo, con la zona 1 a 2, la zona 2 a 5, la zona 3 a 5 y la zona 4 a 6.
Velocidad P	La salida combinada es superior a 21. Por ejemplo, con la zona 1 a 5, la zona 2 a 6, la zona 3 a 6, la zona 4 a 6 y la zona 5 a 6.

Hob: Gas on glass 5 burner GH78GASLK

Hood: Angled glass models, for example: CLAG60LKBL, GHAG60LKBL, CLAG90AKBL.

Nivel de velocidad de la campana	Salida de potencia combinada de la placa
Velocidad 1	La salida combinada es de 5 o menos. Por ejemplo, con la zona 1 a 2 y la zona 2 a 2.
Velocidad 2	La salida combinada está entre 6 y 16. Por ejemplo, con la zona 1 a 2, la zona 2 a 4 y la zona 3 a 3.
Velocidad 3	La salida combinada es superior a 16. Por ejemplo, con la zona 1 a 3, la zona 2 a 2, la zona 3 a 3, la zona 4 a 2 y la zona 5 a 5.

Si se manipulan manualmente los controles de la campana mientras está vinculada con la placa, la campana funcionará en modo manual durante cinco minutos antes de volver a controlarse mediante la placa.

Para volver a conectar la campana y la placa de inmediato, pulse a la vez los botones del programador y de la luz de la campana extractora.

04 Detención de la función de conectividad

1. Al apagar la placa de gas se detendrá la conectividad con la campana, pero se restablecerá automáticamente cuando se vuelva a encender la placa.
2. Si se apaga la placa, la campana seguirá funcionando en su modo de programación e irá reduciendo automáticamente las velocidades del ventilador.

El motor de la campana continuará durante 5 minutos a la velocidad actual y se reducirá un nivel cada 2 minutos hasta apagarse definitivamente.

Antes de começar

- Ligue o aparelho na unidade de consumo da rede elétrica. O aparelho está pronto para ser utilizado.

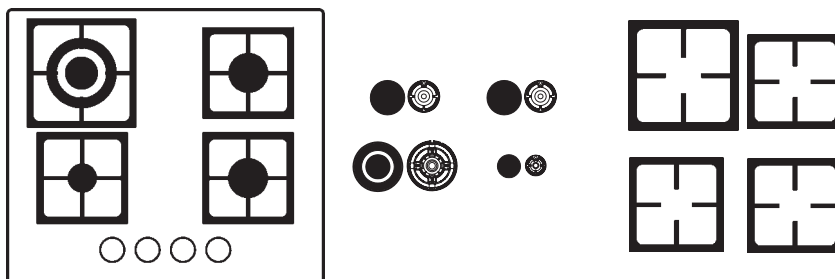


AVISO: Leia as instruções antes de utilizar o aparelho.

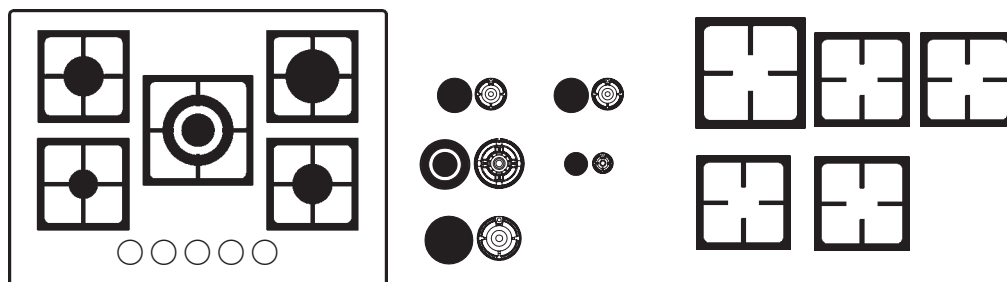
01 Função e configurações

- Dispositivo de segurança de chama (FSD): Interrompe o fornecimento de gás para a placa quando a chama se apaga.
- Ignição automática.

Placa de vidro a gás com 4 queimadores de 60 cm

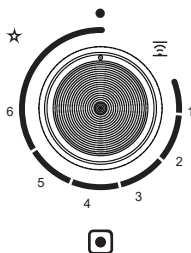


Placa de vidro a gás com 5 queimadores de 70 cm



02 Funcionamento do queimador

- Empurre e rode o botão de controlo para a zona de faísca (☆) do controlo e o termopar irá produzir faíscas várias vezes até o gás se acender; solte imediatamente.
- Reduza o nível de gás para se adequar à cozedura em questão.
- Se o gás não se acender à primeira, tente novamente.
- Depois de cozinhar, desligue o queimador rodando o botão de controlo novamente para a posição desligada (●).



ATENÇÃO: Se não houver corrente elétrica, pode ligar os queimadores com um dispositivo de ignição piezoelétrico.

Os queimadores só podem ser ligados com termopares de segurança quando o botão de controlo está no MÁXIMO.

Não utilize recipientes de cozinha na placa que se sobreponham às extremidades das grelhas.



AVISO: Desligue sempre a alimentação elétrica e de gás antes de realizar a manutenção. Em caso de avaria, entre em contacto com o serviço de atendimento ao cliente que se encontra na parte final da secção de Cuidados e manutenção.

Controlar o exaustor remotamente





IMPORTANTE: Esta secção só é aplicável se também tiver adquirido um exaustor compatível com capacidade de radiofrequência (RF). Contacte a linha de atendimento ao cliente no final deste manual para saber os modelos compatíveis.

01 Antes da primeira utilização

Antes de poder utilizar o comando à distância, é necessário emparelhar este modelo de placa a gás e um modelo de exaustor compatível por radiofrequência (RF).


Quando ligada, a potência de saída da placa a gás controla a taxa de extração do exaustor.

02 Configurar a conectividade

1. Certifique-se de que a placa e o exaustor estão desligados.
2. Ligue o exaustor e prima o ícone do programador  e o ícone de luz  em conjunto no painel de controlo do exaustor. O visor LED fica intermitente.



3. Prima qualquer um dos botões de controlo durante cerca de dez segundos para ligar a placa ao exaustor e o termopar irá emitir um som de clique de forma constante.

Depois de estabelecer a ligação, o exaustor apresenta "A" no respetivo painel de controlo e a placa apresenta o ícone de conectividade RF  no vidro para indicar que a placa e o exaustor estão emparelhados.



IMPORTANTE: A operação de conectividade acima deve ser concluída no espaço de dois minutos após ligar a alimentação do exaustor. Se isto não for bem-sucedido, desligue o exaustor e a placa, aguarde um minuto e tente novamente a ligação.

03 Utilizar a função de conectividade

A taxa de extração do exaustor varia consoante a potência de saída total selecionada na placa, conforme apresentado na tabela. Cada zona de cozedura da placa tem uma potência nominal de saída máxima de 6.

Placa: Placa de vidro a gás com 4 queimadores GH60GASLK

Exaustor: Modelos de chaminé e vidro curvo, por exemplo: CLCH60LKSS, GHCH60LKBL, CLCG60LKSS.

Nível de velocidade do exaustor	Potência de saída combinada da placa
Velocidade 1	A saída combinada é de 4 ou menos. Por exemplo, a zona 1 em 1 e a zona 2 em 2.
Velocidade 3	A saída combinada situa-se entre 5 e 8. Por exemplo, a zona 1 em 2, a zona 2 em 2 e a zona 3 em 3.
Velocidade 5	A saída combinada situa-se entre 9 e 16. Por exemplo, a zona 1 em 2, a zona 2 em 3, a zona 3 em 5 e a zona 4 em 4.
Velocidade P	A saída combinada é superior a 17. Por exemplo, a zona 1 em 5, a zona 2 em 6, a zona 3 em 6 e a zona 4 em 6.

Placa: Placa de vidro a gás com 4 queimadores GH60GASLK
Hood: Bamia models, for example: GHAGML90, GHAGRE90, GHAGRO90

Nível de velocidade do exaustor	Potência de saída combinada da placa
Velocidade 2	A saída combinada é de 4 ou menos. Por exemplo, a zona 1 em 1 e a zona 2 em 2.
Velocidade 4	A saída combinada situa-se entre 5 e 8. Por exemplo, a zona 1 em 2, a zona 2 em 2 e a zona 3 em 3.
Velocidade 5	A saída combinada situa-se entre 9 e 16. Por exemplo, a zona 1 em 2, a zona 2 em 3, a zona 3 em 5 e a zona 4 em 4.
Velocidade P	A saída combinada é superior a 17. Por exemplo, a zona 1 em 5, a zona 2 em 6, a zona 3 em 6 e a zona 4 em 6.

Hob: Gas on glass 4 burner GH60GASLK
Hood: Angled glass models, for example: CLAG60LKBL, GHAG60LKBL, CLAG90AKBL.

Nível de velocidade do exaustor	Potência de saída combinada da placa
Velocidade 1	A saída combinada é de 4 ou menos. Por exemplo, a zona 1 em 1 e a zona 2 em 2.
Velocidade 2	A saída combinada situa-se entre 5 e 8. Por exemplo, a zona 1 em 2, a zona 2 em 2 e a zona 3 em 3.
Velocidade 3	A saída combinada é superior a 9. Por exemplo, a zona 1 em 2, a zona 2 em 3, a zona 3 em 2 e a zona 4 em 1.

Hob: Gas on glass 5 burner GH78GASLK
Exaustor: Modelos de chaminé e vidro curvo, por exemplo: CLCH60LKSS, GHCH60LKBL, CLCG60LKSS.

Nível de velocidade do exaustor	Potência de saída combinada da placa
Velocidade 1	A saída combinada é de 5 ou menos. Por exemplo, a zona 1 em 2 e a zona 2 em 2.
Velocidade 3	A saída combinada situa-se entre 6 e 15. Por exemplo, a zona 1 em 2, a zona 2 em 4 e a zona 3 em 3.
Velocidade 5	A saída combinada situa-se entre 16 e 20. Por exemplo, a zona 1 em 2, a zona 2 em 5, a zona 3 em 5 e a zona 4 em 6.
Velocidade P	A saída combinada é superior a 21. Por exemplo, a zona 1 em 5, a zona 2 em 6, a zona 3 em 6, a zona 4 em 6 e a zona 5 em 6.

Hob: Gas on glass 5 burner GH78GASLK
Hood: Bamia models, for example: GHAGML90, GHAGRE90, GHAGRO90.

Nível de velocidade do exaustor	Potência de saída combinada da placa
Velocidade 2	A saída combinada é de 5 ou menos. Por exemplo, a zona 1 em 2 e a zona 2 em 2.
Velocidade 4	A saída combinada situa-se entre 6 e 15. Por exemplo, a zona 1 em 2, a zona 2 em 4 e a zona 3 em 3.
Velocidade 5	A saída combinada situa-se entre 16 e 20. Por exemplo, a zona 1 em 2, a zona 2 em 5, a zona 3 em 5 e a zona 4 em 6.
Velocidade P	A saída combinada é superior a 21. Por exemplo, a zona 1 em 5, a zona 2 em 6, a zona 3 em 6, a zona 4 em 6 e a zona 5 em 6.

Hob: Gas on glass 5 burner GH78GASLK

Hood: Angled glass models, for example: CLAG60LKBL, GHAG60LKBL, CLAG90AKBL.

Nível de velocidade do exaustor	Potência de saída combinada da placa
Velocidade 1	A saída combinada é de 5 ou menos. Por exemplo, a zona 1 em 2 e a zona 2 em 2.
Velocidade 2	A saída combinada situa-se entre 6 e 16. Por exemplo, a zona 1 em 2, a zona 2 em 4 e a zona 3 em 3.
Velocidade 3	A saída combinada é superior a 16. Por exemplo, a zona 1 em 3, a zona 2 em 2, a zona 3 em 3, a zona 4 em 2 e a zona 5 em 5.

Se os controlos do exaustor forem cancelados manualmente quando a placa e o exaustor estiverem ligados, o exaustor funciona durante cinco minutos nesta definição manual antes de voltar ao controlo da placa.

Para voltar a ligar o exaustor e a placa imediatamente, prima as teclas do programador e de luz ao mesmo tempo no exaustor.

04 Parar a função de conectividade

1. Desligar a placa a gás irá interromper a conectividade com o exaustor, mas esta será restaurada automaticamente quando a placa for novamente ligada.
2. Se a placa estiver desligada, o exaustor continua a funcionar no modo de programador e a velocidade desce automaticamente através da velocidade da ventoinha.

O motor do exaustor irá continuar a funcionar durante 5 minutos e a velocidade atual irá descer durante 2 minutos a cada nível até ser desligado.

EN Troubleshooting

Problem

If your appliance has stopped working, please check the following before contacting customer services.

1. Check that the gas or electricity supply has not been switched off.
2. Check that the fuse in the mains consumer unit has not blown.
3. Ensure that the burner components are not excessively soiled as this can lead to ignition problems. Do not take the appliance apart yourself, as you may damage the hob.

Repairs should only be carried out by a qualified specialist. Improper repairs can lead to considerable equipment damage as well as danger to the user, and the guarantee will be invalid.

To arrange a service call, please contact our customer services on one of the following Toll Free numbers, you must contact the number in the country in which you purchased the hob.

UK 0800 324 7818 uk@kingfisherservice.com

Eire 1800 932 230 eire@kingfisherservice.com

FR Dépannage

Problème

Si l'appareil a cessé de fonctionner, vérifier les points suivants avant de contacter le service client.

1. Vérifier que l'alimentation en gaz ou en électricité n'a pas été coupée.
2. Vérifier que le fusible sur le tableau électrique principal n'a pas grillé.
3. S'assurer que les composants des brûleurs ne sont pas trop sales car cela peut provoquer des problèmes d'allumage. Ne pas démonter l'appareil soi-même, au risque d'endommager la plaque de cuisson.

Les réparations ne doivent être effectuées que par un professionnel qualifié. Des réparations inappropriées peuvent endommager sérieusement l'équipement et entraîner des risques pour l'utilisateur. La garantie perdra sa validité.

Pour organiser une intervention, contacter le service client à l'un des numéros verts suivants. Composer le numéro qui correspond au pays dans lequel la plaque de cuisson a été achetée :

0805 114 951 france@kingfisherservice.com

PL Rozwiązywanie problemów

Usterka

Jeśli urządzenie przestało działać, przed skontaktowaniem się z działem obsługi klienta należy sprawdzić następujące elementy:

1. Sprawdzić, czy nie wyłączono zasilania gazem lub zasilania elektrycznego.
2. Sprawdzić, czy nie doszło do przepalenia bezpiecznika na tablicy rozdzielczej.
3. Sprawdzić, czy elementy palnika nie są nadmiernie zabrudzone, ponieważ może to spowodować problemy z zapłonem. Nie wolno samodzielnie demontować urządzenia, ponieważ może to spowodować uszkodzenie płyty grzewczej.

Naprawy powinny być wykonywane wyłącznie przez wykwalifikowanego specjalistę. Nieprawidłowo przeprowadzone naprawy mogą spowodować poważne uszkodzenie sprzętu oraz zagrożenie dla użytkownika, a ich konsekwencją będzie unieważnienie gwarancji.

W celu ustalenia terminu wizyty serwisowej należy skontaktować się z naszym działem obsługi klienta, korzystając z jednego z poniższych bezpłatnych numerów. Należy wybrać numer odpowiedni dla kraju, w którym zakupiono płytę.

800 121 2222 poland@kingfisherservice.com

RO Depanare

Problemă

Dacă aparatul nu mai funcționează, verifică următoarele înainte de a contacta serviciul de Asistență clienți:

1. Verifică dacă alimentarea cu gaz sau cu energie electrică nu a fost oprită.
2. Verifică dacă siguranța din tabloul de distribuție principal nu este arsă.
3. Asigură-te că arzătorul nu are componente excesiv de murdare, deoarece acest lucru poate duce la probleme de aprindere. Nu demonta singur plita, deoarece o poți deteriora.

Reparațiile trebuie realizate numai de specialiști calificați. Reparațiile necorespunzătoare pot duce la deteriorări considerabile ale echipamentelor și pot pune utilizatorul în pericol, ceea ce duce la pierderea garanției.

Pentru a programa o vizită de service, contactează serviciul de Asistență clienți la unul dintre următoarele numere fără taxă suplimentară; trebuie să apelezi numărul din țara în care ai achiziționat plita.

0800 895 099 romania@kingfisherservice.com

ES Resolución de problemas

Problema

Si el aparato ha dejado de funcionar, compruebe lo siguiente antes de ponerse en contacto con el servicio de atención al cliente.

1. Compruebe que la alimentación eléctrica o el gas no están desconectados.
2. Compruebe que el fusible de la unidad de consumo de la red eléctrica no se ha fundido.
3. Asegúrese de que los componentes del quemador no estén excesivamente sucios, ya que esto podría provocar problemas para encenderlo. No desmonte el aparato usted mismo, ya que podría dañar la placa.

Las reparaciones solo debe realizarlas un especialista cualificado. Las reparaciones incorrectas pueden provocar daños importantes en el equipo, así como un peligro para el usuario, y se anulará la garantía.

Para concertar una llamada de servicio, póngase en contacto con nuestro servicio de atención al cliente en uno de los siguientes números de teléfono gratuitos. Debe llamar al número del país en el que adquirió la placa.

800 098 794 spain@kingfisherservice.com

PT Resolução de problemas

Problema

Caso o seu aparelho tenha deixado de funcionar, verifique os aspetos seguintes antes de contactar o serviço de atendimento ao cliente.

1. Verifique se o fornecimento de gás ou eletricidade não foi desligado.
2. Verifique se o fusível na unidade de consumo da rede elétrica não está fundido.
3. Certifique-se de que os componentes do queimador não estão excessivamente contaminados, caso contrário podem surgir problemas de ignição. Não desmonte o aparelho sem recorrer a assistência, visto que pode danificar a placa.

As reparações só devem ser realizadas por um especialista qualificado. As reparações inadequadas podem provocar danos consideráveis no equipamento, bem como perigos para o utilizador, e invalidar a garantia.

Para solicitar um serviço de manutenção, contacte os nossos serviços de apoio ao cliente através dos seguintes números de ligação gratuita. Tem de contactar o número correspondente ao país onde adquiriu a placa.

800 814 566 portugal@kingfisherservice.com

EN Care & maintenance

General

The appliance should be cleaned after use, allow to cool first!

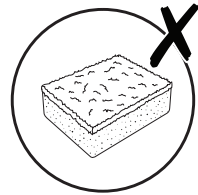
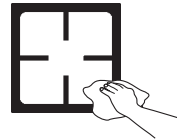
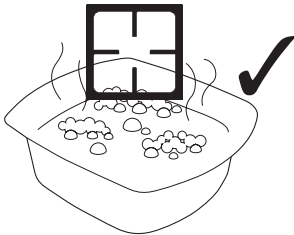
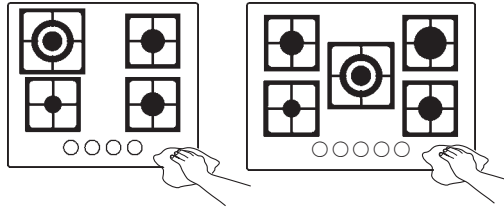
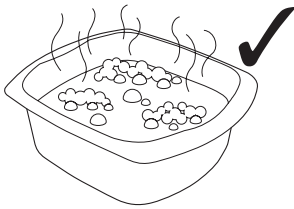


WARNING: Always switch off the electricity and gas supply before performing maintenance work. In the event of a fault, contact customer services at the end of the care and maintenance section.



CAUTION:

- Use soapy water and a cloth for cleaning. Never use abrasive powders.
- Avoid banging pots and pans down on the hob.
- Do not leave any empty pan on the heating zone.



Repairs should only be carried out by a qualified specialist. Improper repairs can lead to considerable equipment damage as well as danger to the user, and the guarantee will be invalid.

To arrange a service call, please contact our customer services on one of the following Toll Free numbers, you must contact the number in the country in which you purchased the hob.

UK 0800 324 7818 uk@kingfisherservice.com

Eire 1800 932 230 eire@kingfisherservice.com

Généralités

L'appareil doit être nettoyé après utilisation ; le laisser refroidir d'abord !

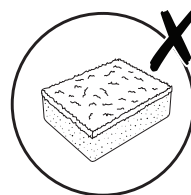
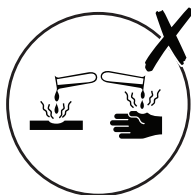
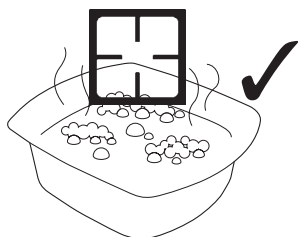
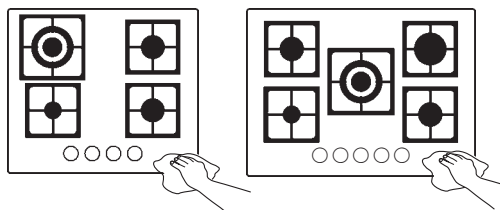
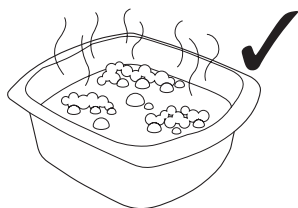


AVERTISSEMENT : Toujours couper l'alimentation électrique et en gaz avant d'effectuer des opérations d'entretien. En cas de panne, contacter le service client indiqué à la fin de la section "Entretien et maintenance".



ATTENTION :

- Utiliser de l'eau savonneuse et un chiffon pour le nettoyage. Ne jamais utiliser de poudres abrasives.
- Éviter de placer des casseroles et des poêles sur la plaque de cuisson de manière brutale.
- Ne pas laisser de récipient vide sur la zone de cuisson.



Les réparations ne doivent être effectuées que par un professionnel qualifié. Des réparations inappropriées peuvent endommager sérieusement l'équipement et entraîner des risques pour l'utilisateur. La garantie perdra sa validité.

Pour organiser une intervention, contacter le service client à l'un des numéros verts suivants. Composer le numéro qui correspond au pays dans lequel la plaque de cuisson a été achetée :

0805 114 951 france@kingfisherservice.com

Informacje ogólne

Przed przystąpieniem do czyszczenia urządzenia po użyciu należy poczekać, aż wystygnie.

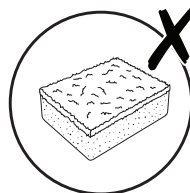
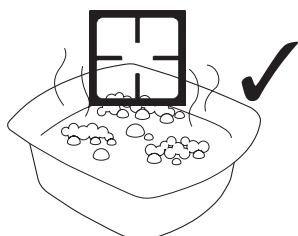
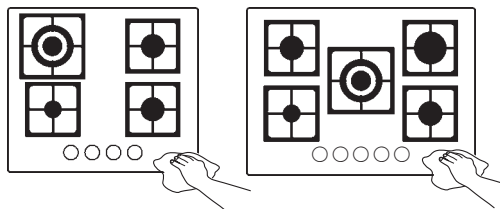
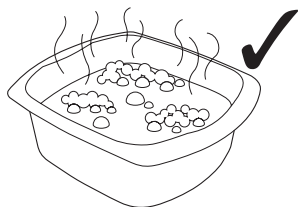


OSTRZEŻENIE: Przed przystąpieniem do czynności konserwacyjnych należy obowiązkowo wyłączyć zasilanie elektryczne. W przypadku wystąpienia usterki należy skontaktować się z działem obsługi klienta. Dane kontaktowe znajdują się na końcu rozdziału dotyczącego czyszczenia i konserwacji urządzenia.



UWAGA:

- Urządzenie czyścić ściereczką zwilżoną w wodzie z mydłem. Nigdy nie używać proszków o właściwościach ściernych.
- Nie uderzać naczyniami o płytę.
- Nie umieszczać pustych naczyń na polu grzewczym.



Naprawy powinny być wykonywane wyłącznie przez wykwalifikowanego specjalistę. Nieprawidłowo przeprowadzone naprawy mogą spowodować poważne uszkodzenie sprzętu oraz zagrożenie dla użytkownika, a ich konsekwencją będzie unieważnienie gwarancji.

W celu ustalenia terminu wizyty serwisowej należy skontaktować się z naszym działem obsługi klienta, korzystając z jednego z poniższych bezpłatnych numerów. Należy wybrać numer odpowiedni dla kraju, w którym zakupiono płytę.

800 121 2222 poland@kingfisherservice.com

General

Aparatul trebuie curățat după utilizare, dar lasă-l să se răcească mai întâi!

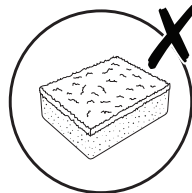
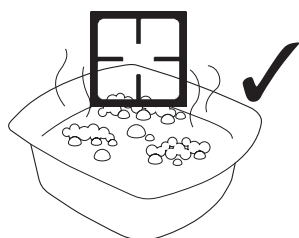
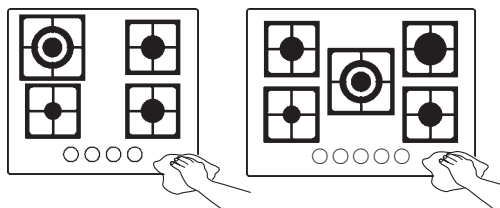
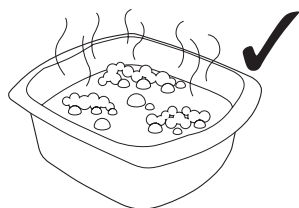


AVERTISMENT: Deconectează întotdeauna sursele de alimentare cu energie electrică și gaz înainte de a efectua lucrări de întreținere. În caz de defecțiune, contactează serviciul de Asistență clienți menționat la sfârșitul secțiunii Îngrijire și întreținere.



ATENȚIE:

- Utilizează apă cu săpun și o cârpă pentru curățare. Nu utiliza niciodată pulberi abrazive.
- Nu trânti oalele și tigăile pe plită.
- Nu lăsa nicio tigaie goală pe zona de încălzire.



Reparațiile trebuie realizate numai de specialiști calificați. Reparațiile necorespunzătoare pot duce la deteriorări considerabile ale echipamentelor și pot pune utilizatorul în pericol, ceea ce duce la pierderea garanției.

Pentru a programa o vizită de service, contactează serviciul de Asistență clienți la unul dintre următoarele numere fără taxă suplimentară; trebuie să apelezi numărul din țara în care ai achiziționat plita.

0800 895 099 romania@kingfisherservice.com

ES Cuidados y mantenimiento

General

El aparato debe limpiarse después de cada uso, dejando siempre que se enfríe primero.

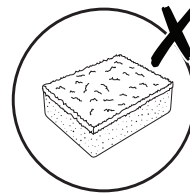
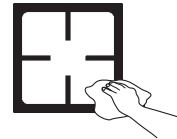
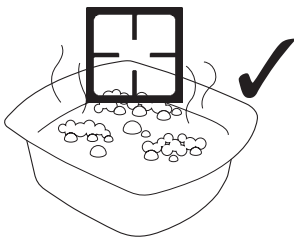
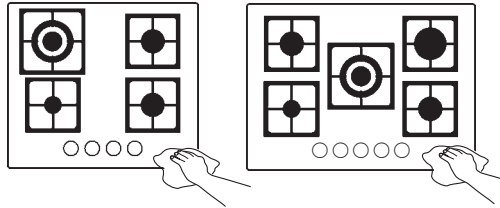
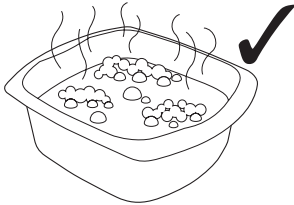


ADVERTENCIA: Desconecte siempre la alimentación eléctrica y el gas antes de efectuar tareas de mantenimiento. En caso de avería, póngase en contacto con el servicio de atención al cliente (consulte los datos al final de la sección Cuidado y mantenimiento).



PRECAUCIÓN:

- Utilice agua con jabón y un paño para la limpieza. No utilice nunca polvos abrasivos.
- Evite golpear la placa con los recipientes de cocina.
- No deje ninguna olla o sartén vacías en la zona de cocción.



Las reparaciones solo debe realizarlas un especialista cualificado. Las reparaciones incorrectas pueden provocar daños importantes en el equipo, así como un peligro para el usuario, y se anulará la garantía.

Para concertar una llamada de servicio, póngase en contacto con nuestro servicio de atención al cliente en uno de los siguientes números de teléfono gratuitos. Debe llamar al número del país en el que adquirió la placa.

800 098 794 spain@kingfisherservice.com

PT Cuidados e manutenção

Geral

O aparelho deve ser limpo após a utilização. Deixe-o arrefecer primeiro!

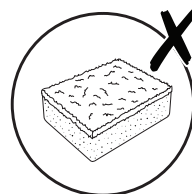
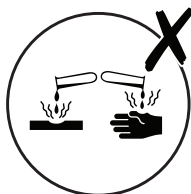
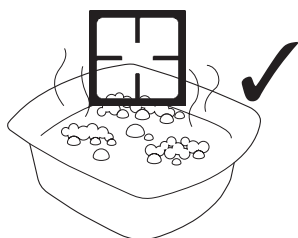
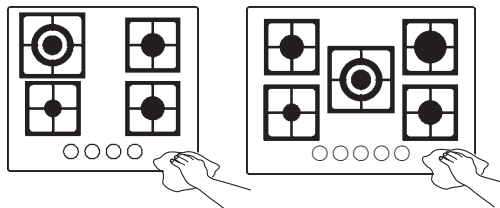
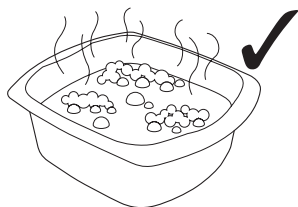


AVISO: Desligue sempre a alimentação elétrica e de gás antes de realizar a manutenção. Em caso de avaria, entre em contacto com o serviço de atendimento ao cliente que se encontra na parte final da secção de Cuidados e manutenção.



ATENÇÃO:

- Para limpar, utilize água com sabão e um pano. Nunca utilize pós abrasivos.
- Evite bater com tachos e panelas na placa.
- Nunca deixe uma panela vazia na zona de aquecimento.



As reparações só devem ser realizadas por um especialista qualificado. As reparações inadequadas podem provocar danos consideráveis no equipamento, bem como perigos para o utilizador, e invalidar a garantia.

Para solicitar um serviço de manutenção, contacte os nossos serviços de apoio ao cliente através dos seguintes números de ligação gratuita. Tem de contactar o número correspondente ao país onde adquiriu a placa.

800 814 566 portugal@kingfisherservice.com

EN Declaration of Conformity

(UK) Declaration of Conformity

Name and address of the manufacturer or his authorized representative:
Kingfisher International Products Limited, 3 Sheldon Square, London W2 6PX,
United Kingdom

This declaration of conformity is issued under the sole responsibility of the manufacturer.

Object of the declaration:

- Product: Gas Hob
- Model: GH60GASLK / GH78GASLK
- EAN: 5059340445793 / 5059340445786

The object of the declaration described above is in conformity with the relevant legislation:

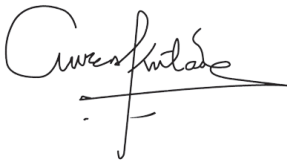
- Radio Equipment Regulations 2017 as amended

References to the relevant designated standards used or references to the other technical specifications in relation to which conformity is declared:

- CE-LVD/CE-EMC+RED(RF433)
- UKCA_LVD+EMC
- EN60335-1; EN60335-2-102,EN6223
- EN 55014-1:2017+A11:2020
- EN IEC 61000-3-2:2019
- EN 61000-3-3: 2013+A1:2019
- EN 55014-2:2015
- ETSI EN 300 220-1 V3.1.1(2017-02)
- ETSI EN 300 220-2 V3.2.1(2018-06)
- ETSI EN 301489-1 V2.2.3(2019-11)
- ETSI EN 301489-3 V2.1.1(2019-03)
- EN 62479:2010

Signed for and on behalf of:

Kingfisher International Products Limited, 3 Sheldon Square, London W2 6PX,
United Kingdom On 07-04-2022.



David Awe
Group Quality Director

EN Declaration of Conformity

(EU) Declaration of Conformity

Name and address of the manufacturer or his authorized representative:

Kingfisher International Products B.V., Rapenburgerstraat 175E, 1011 VM Amsterdam,
The Netherlands

This declaration of conformity is issued under the sole responsibility of the manufacturer.

Object of the declaration:

- Product: Gas Hob
- Model: GH60GASLK / GH78GASLK
- EAN: 5059340445793 /5059340445786

The object of the declaration described above is in conformity with the relevant Union harmonisation legislation:

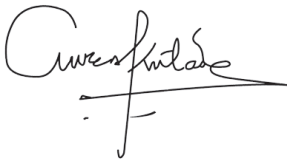
- 2014/53/EU as amended Radio Equipment Directive

References to the relevant harmonised standards used or references to the other technical specifications in relation to which conformity is declared:

- CE-LVD/CE-EMC+RED(RF433)
- UKCA_LVD+EMC
- EN60335-1; EN60335-2-102, EN6223
- EN 55014-1:2017+A11:2020
- EN IEC 61000-3-2:2019
- EN 61000-3-3: 2013+A1:2019
- EN 55014-2:2015
- ETSI EN 300 220-1 V3.1.1(2017-02)
- ETSI EN 300 220-2 V3.2.1(2018-06)
- ETSI EN 301489-1 V2.2.3(2019-11)
- ETSI EN 301489-3 V2.1.1(2019-03)
- EN 62479:2010

Signed for and on behalf of:

Kingfisher International Products B.V., Rapenburgerstraat 175E, 1011 VM Amsterdam,
The Netherlands on 07-04-2022.



David Awe
Group Quality Director

FR Déclaration de conformité

(EU) Déclaration de conformité

Nom et adresse du fabricant ou de son représentant autorisé :
Kingfisher International Products B.V., Rapenburgerstraat 175E, 1011 VM Amsterdam,
The Netherlands

La présente déclaration de conformité est établie sous la seule responsabilité du fabricant. Objet de la déclaration :

- Produit : Plaque de cuisson au gaz
- Modèle : GH60GASLK / GH78GASLK
- EAN : 5059340445793 / 5059340445786

L'objet de la déclaration décrit ci-dessus est conforme à la législation applicable :

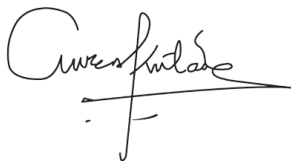
- Réglementations sur les équipements radio 2014/53/EU telles que modifiées

Références aux normes désignées pertinentes appliquées ou références aux autres caractéristiques techniques en rapport avec la déclaration de conformité :

- CE-LVD/CE-EMC+RED(RF433)
- UKCA_LVD+EMC
- EN60335-1; EN60335-2-102, EN6223
- EN 55014-1:2017+A11:2020
- EN IEC 61000-3-2:2019
- EN 61000-3-3: 2013+A1:2019
- EN 55014-2:2015
- ETSI EN 300 220-1 V3.1.1(2017-02)
- ETSI EN 300 220-2 V3.2.1(2018-06)
- ETSI EN 301489-1 V2.2.3(2019-11)
- ETSI EN 301489-3 V2.1.1(2019-03)
- EN 62479:2010

Signé pour et au nom de :

Kingfisher International Products B.V., Rapenburgerstraat 175E, 1011 VM Amsterdam,
The Netherlands le 07/04/2022.



David Awe
Directeur Qualité du Groupe

PL Deklaracja zgodności

(EU) Deklaracja zgodności

Nazwa i adres producenta oraz jego upoważnionego przedstawiciela:
Kingfisher International Products B.V., Rapenburgerstraat 175E, 1011 VM Amsterdam,
The Netherlands

Niniejsza deklaracja zgodności została wydana na wyłączną odpowiedzialność producenta: Przedmiot deklaracji:

- Produkt: Płyta gazowa
- Model: GH60GASLK / GH78GASLK
- Kod EAN: 5059340445793 / 5059340445786

Opisany powyżej przedmiot deklaracji jest zgodny z odpowiednimi przepisami

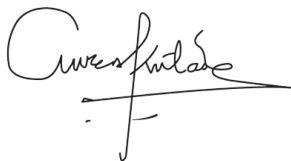
- Określonymi w dokumencie Radio Equipment Regulations 2014/53/EU z późniejszymi zmianami.

Odniesienia do odpowiednich norm lub odniesienia do innych specyfikacji technicznych, dla których deklarowana jest zgodność:

- CE-LVD/CE-EMC+RED(RF433)
- UKCA_LVD+EMC
- EN60335-1; EN60335-2-102, EN6223
- EN 55014-1:2017+A11:2020
- EN IEC 61000-3-2:2019
- EN 61000-3-3: 2013+A1:2019
- EN 55014-2:2015
- ETSI EN 300 220-1 V3.1.1(2017-02)
- ETSI EN 300 220-2 V3.2.1(2018-06)
- ETSI EN 301489-1 V2.2.3(2019-11)
- ETSI EN 301489-3 V2.1.1(2019-03)
- EN 62479:2010

Podpisano dla i w imieniu:

Kingfisher International Products B.V., Rapenburgerstraat 175E, 1011 VM Amsterdam,
The Netherlands 7.04.2022 r.



David Awe
Dyrektor Grupy ds. jakości

RO Declarație de conformitate

(EU) Declarație de conformitate

Denumirea și adresa producătorului sau a reprezentantului autorizat al acestuia:
Kingfisher International Products B.V., Rapenburgerstraat 175E, 1011 VM Amsterdam,
The Netherlands

Această declarație de conformitate este emisă sub răspunderea exclusivă a producătorului.

Obiectul declarației:

- Produs: Plită pe gaz
- Model: GH60GASLK / GH78GASLK
- EAN: 5059340445793 / 5059340445786

Obiectul declarației descris mai sus este în conformitate cu legislația relevantă:

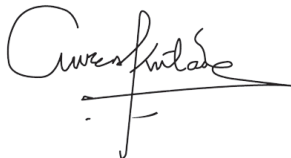
- Reglementările privind echipamentele radio din 2014/53/EU cu modificările ulterioare

Referințe la standardele relevante desemnate sau referințe la alte specificații tehnice de conformitate:

- CE-LVD/CE-EMC+RED(RF433)
- UKCA_LVD+EMC
- EN60335-1; EN60335-2-102, EN6223
- EN 55014-1:2017+A11:2020
- EN IEC 61000-3-2:2019
- EN 61000-3-3: 2013+A1:2019
- EN 55014-2:2015
- ETSI EN 300 220-1 V3.1.1(2017-02)
- ETSI EN 300 220-2 V3.2.1(2018-06)
- ETSI EN 301489-1 V2.2.3(2019-11)
- ETSI EN 301489-3 V2.1.1(2019-03)
- EN 62479:2010

Semnat pentru și în numele:

Kingfisher International Products B.V., Rapenburgerstraat 175E, 1011 VM Amsterdam,
The Netherlands La 07/04/2022.



David Awe
Director de calitate al Grupului

ES Declaración de conformidad

(EU) Declaración de conformidad

Nombre y dirección del fabricante o de su representante autorizado:

Kingfisher International Products B.V., Rapenburgerstraat 175E, 1011 VM Amsterdam,
The Netherlands

Esta declaración de conformidad se emite bajo la responsabilidad exclusiva del fabricante.

Objeto de la declaración:

- Producto: Placa de gas
- Modelo: GH60GASLK/GH78GASLK
- EAN: 5059340445793 / 5059340445786

El objeto de la declaración descrita anteriormente cumple con la correspondiente legislación:

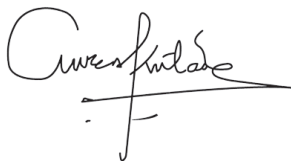
- Reglamento sobre equipos de radio de 2014/53/EU en su versión modificada

Referencias a las normas designadas pertinentes utilizadas o referencias a las otras especificaciones técnicas en relación con las cuales se declara la conformidad:

- CE-LVD/CE-EMC+RED(RF433)
- UKCA_LVD+EMC
- EN60335-1; EN60335-2-102, EN6223
- EN 55014-1:2017+A11:2020
- EN IEC 61000-3-2:2019
- EN 61000-3-3: 2013+A1:2019
- EN 55014-2:2015
- ETSI EN 300 220-1 V3.1.1(2017-02)
- ETSI EN 300 220-2 V3.2.1(2018-06)
- ETSI EN 301489-1 V2.2.3(2019-11)
- ETSI EN 301489-3 V2.1.1(2019-03)
- EN 62479:2010

Firmado por y en nombre de:

Kingfisher International Products B.V., Rapenburgerstraat 175E, 1011 VM Amsterdam,
The Netherlands a fecha de 07-04-2022.



David Awe
Director de calidad del grupo

PT Declaração de Conformidade

(EU) Declaração de Conformidade

Nome e endereço do fabricante ou do seu representante autorizado:
Kingfisher International Products B.V., Rapenburgerstraat 175E, 1011 VM Amsterdam,
The Netherlands

Esta declaração de conformidade é emitida sob a responsabilidade exclusiva do fabricante.

Objeto da declaração:

- Produto: Placa a gás
- Modelo: GH60GASLK/GH78GASLK
- EAN: 5059340445793/5059340445786

O objeto da declaração descrito acima está em conformidade com a legislação aplicável:

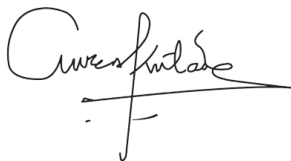
- Regulamentos relativos a equipamentos de rádio de 2014/53/EU conforme adotados

Referências às normas designadas relevantes utilizadas ou referências a outras especificações técnicas em relação às quais a conformidade é declarada:

- CE-LVD/CE-EMC+RED(RF433)
- UKCA_LVD+EMC
- EN60335-1; EN60335-2-102, EN6223
- EN 55014-1:2017+A11:2020
- EN IEC 61000-3-2:2019
- EN 61000-3-3: 2013+A1:2019
- EN 55014-2:2015
- ETSI EN 300 220-1 V3.1.1(2017-02)
- ETSI EN 300 220-2 V3.2.1(2018-06)
- ETSI EN 301489-1 V2.2.3(2019-11)
- ETSI EN 301489-3 V2.1.1(2019-03)
- EN 62479:2010

Assinado por e em nome de:

Kingfisher International Products B.V., Rapenburgerstraat 175E, 1011 VM Amsterdam,
The Netherlands em 07/04/2022.



David Awe
Diretor de qualidade do grupo

**Manufacturer • Fabricant • Producent •
Producător • Fabricante**

UK Manufacturer:

Kingfisher International Products Limited,
3 Sheldon Square, London, W2 6PX
United Kingdom

EU Manufacturer:

Kingfisher International Products B.V.
Rapenburgerstraat 175E
1011 VM Amsterdam
The Netherlands
www.kingfisher.com/products
www.diy.com

EN www.diy.com

www.screwfix.com

www.screwfix.ie

Customer Helpline (Freephone)

UK 0800 324 7818 uk@kingfisherservice.com

Eire 1800 932 230 eire@kingfisherservice.com

**To view instruction manuals online,
visit www.kingfisher.com/products**

FR www.castorama.fr

www.bricodepot.fr

Assistance téléphonique (sans frais) :

0805 114 951 france@kingfisherservice.com

**Pour consulter les manuels d'instructions
en ligne, rendez-vous sur le site
www.kingfisher.com/products**

PL www.castorama.pl

Infolinia dla klientów (bezpłatna):

800 121 2222 poland@kingfisherservice.com

**Aby zapoznać się z instrukcją obsługi online,
odwiedź stronę www.kingfisher.com/products**

RO www.bricodepot.ro

Asistență clienți (apel gratuit):

0800 895 099 romania@kingfisherservice.com

**Pentru a consulta manualele de instrucțiuni
online, vizitați www.kingfisher.com/products**

ES www.bricodepot.es

Línea de atención al cliente (número gratuito):

800 098 794 spain@kingfisherservice.com

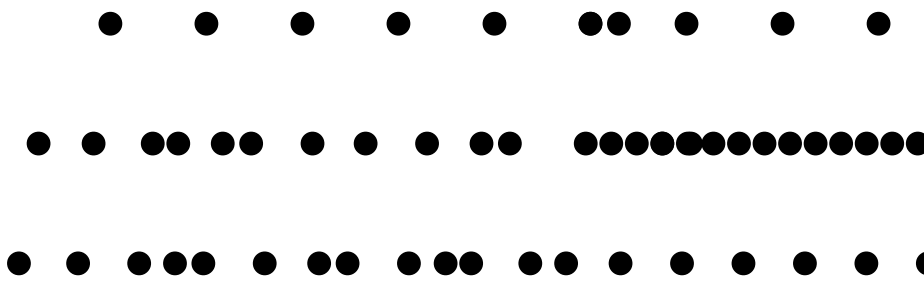
**Para consultar los manuales de instrucciones
en línea, visite www.kingfisher.com/products**

PT www.bricodepot.pt

Linha de atendimento ao cliente (gratuita):

800 814 566 portugal@kingfisherservice.com

**Para consultar manuais de instruções online,
visite www.kingfisher.com/products**



版本号：20220613+V1.0