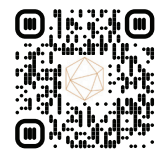



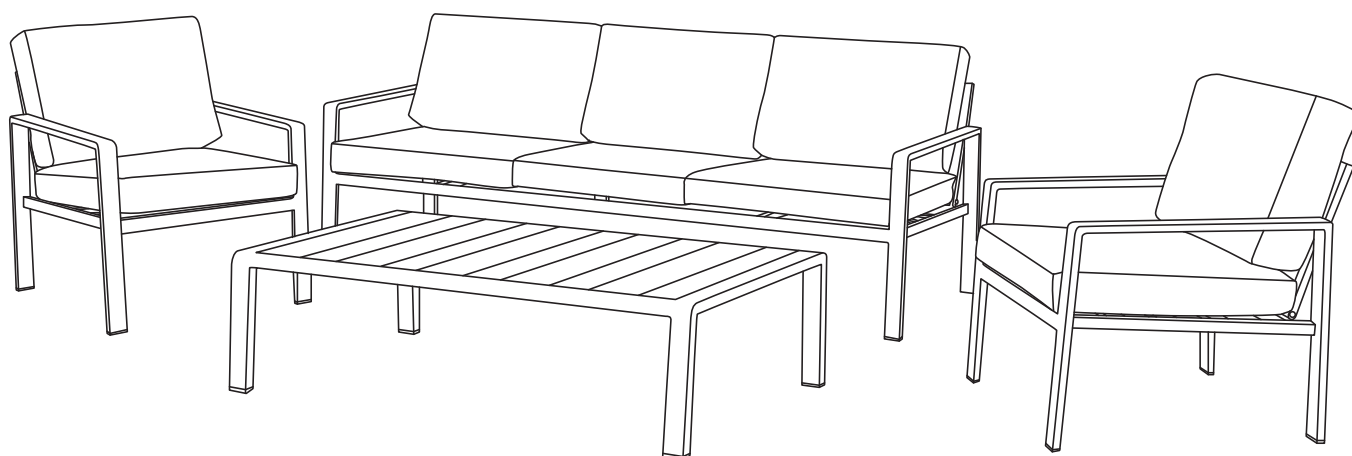


Artwork done by Impala Services Ltd
info@impala-tech.com



SEPARATIONS	JOB INFO				
 PROCESS BLACK	PID #: 217797_s3_s4 Agency Job #: PRJ23048 Product Description: Santorin Coffee Set 4 People, Aluminium Sand Peyote [UK]		Brand: Brand Contact: Ronald Luo Barcode: 5059340353166 Vendor: Letright No. of New Line Drawings: 0 Page Size: A4 / No. of Pages: 0		
	VERSION #				
	1 31/08/21 Manisha	2 07/09/21 Manisha	3 XX/XX/21 XXX	4 XX/XX/21 XXX	5 XX/XX/21 XXX
This file is the property of Kingfisher Group Plc. No copying, alteration or amendment is permitted without written authorisation from the Kingfisher Brand Team.					
翠丰集团不会以专色(PMS)作参考，请参照已提供的印刷标准及Lab色彩数值生产以符合印刷品之标准。 本文件的版权归翠丰集团所有。未经翠丰品牌团队的书面同意，不得对本文件进行复制、变更或修改。					

Moorea



5059340352725/5059340352732



EN Contents
RO Cuprins
TR İçindekiler

FR Contenu
ES Contenido

PL Zawartość
PT Conteúdo

2



Assembly

4

FR Assemblage
PL Montaż
RO Asamblare
ES Montaje
PT Montagem
TR Montaj

4
4
4
4
4
4



Care

7

FR Entretien
PL Czyszczenie
RO Îngrijire
ES Cuidados
PT Cuidados
TR Bakım

7
7
7
7
7
7



EN **IMPORTANT** - Please read carefully the separate safety guide before use.

FR **IMPORTANT** - Lire attentivement le guide de sécurité séparé avant utilisation.

PL **WAŻNE** - Przed użyciem proszę dokładnie zapoznać się z instrukcją bezpieczeństwa.

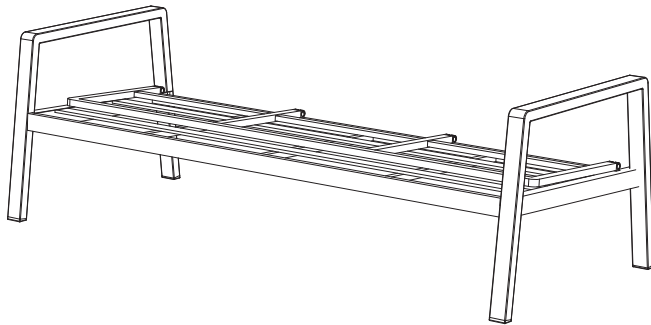
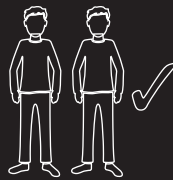


RO **IMPORTANT** - Vă rugăm să citiți cu atenție ghidul de siguranță separat înainte de utilizare.

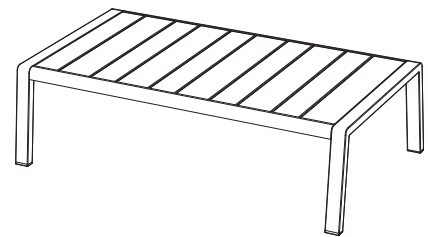
ES **IMPORTANTE** - Lea atentamente la guía de seguridad separado antes de utilizar.

PT **IMPORTANTE** - Leia atentamente o guia de segurança separado antes de usar.

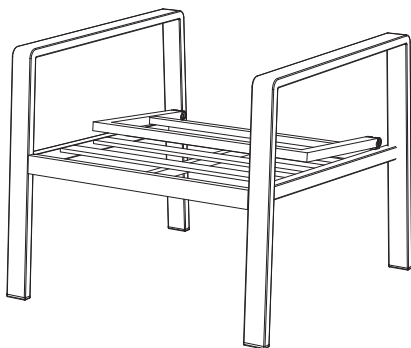
TR **ÖNEMLI** - Kullanmadan önce emniyet kurallarını lütfen dikkatle okuyun.



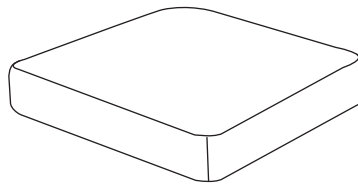
[01] x 1



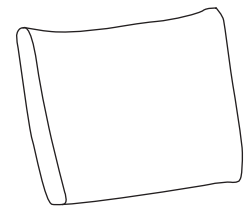
[02] x 1



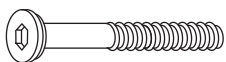
[03] x 2



[04] x 5



[05] x 5



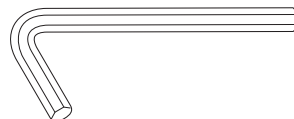
[06] x 6



[07] x 6



[08] x 6



[09] x 1



EN Assembly
RO Asamblare
TR Montaj

FR Assemblage
ES Montaje

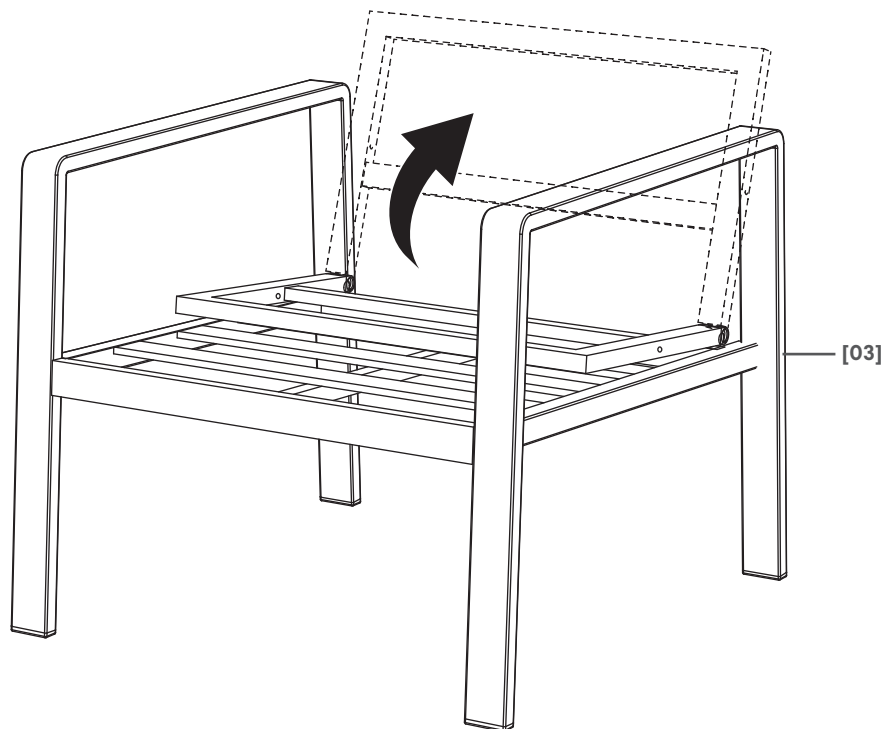
PL Montaż
PT Montagem

4

01

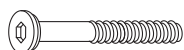


[03] x 2



x 2

02



[06] x 4



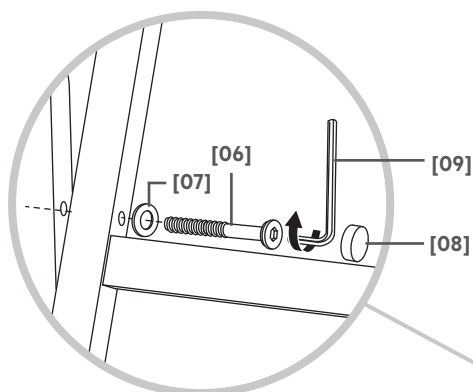
[07] x 4



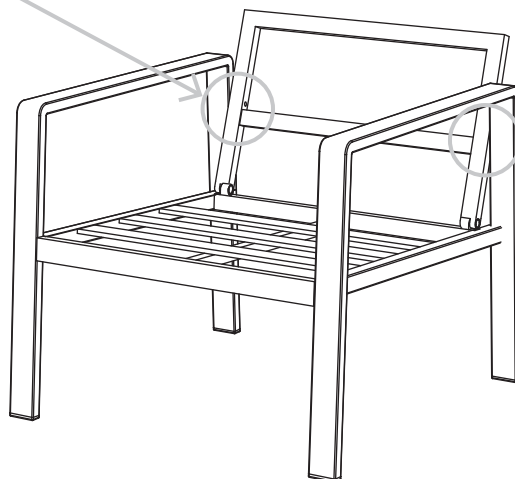
[08] x 4



[09] x 1



x 2





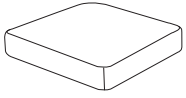
EN Assembly
RO Asamblare
TR Montaj

FR Assemblage
ES Montaje

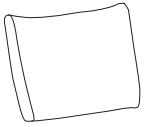
PL Montaż
PT Montagem

5

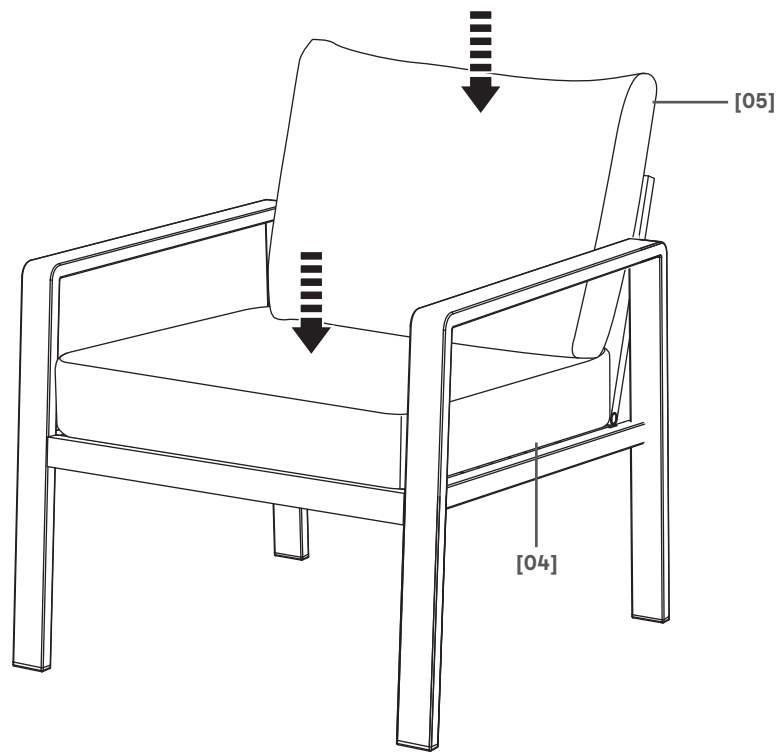
03



[04] x 2

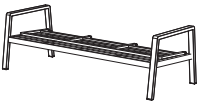


[05] x 2

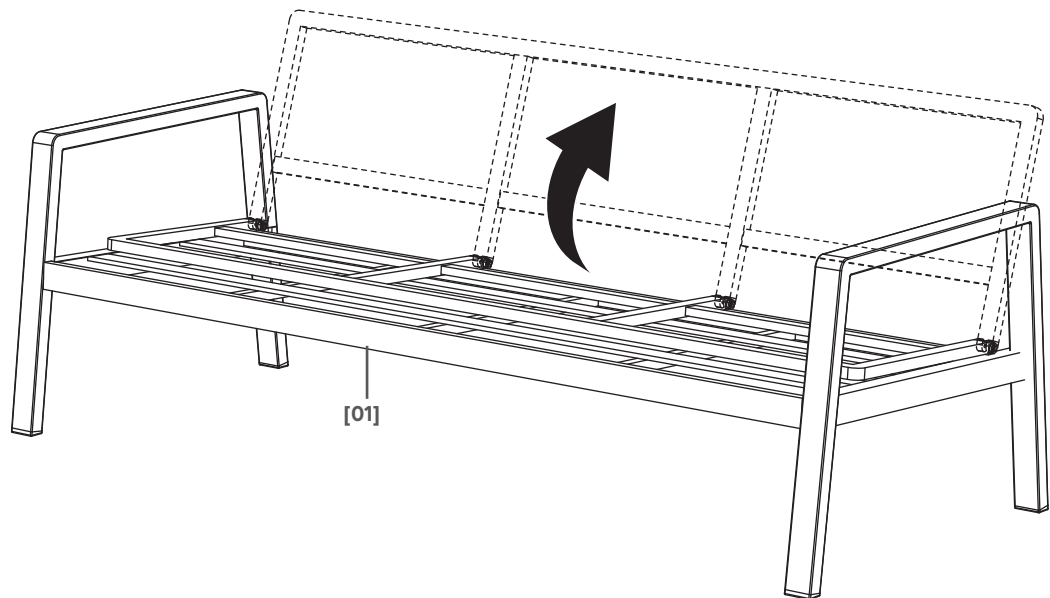


x 2

04



[01] x 1





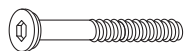
EN Assembly
RO Asamblare
TR Montaj

FR Assemblage
ES Montaje

PL Montaż
PT Montagem

6

05



[06] x 2



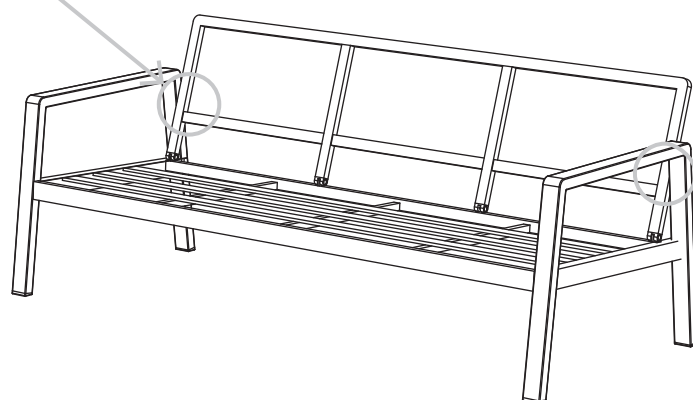
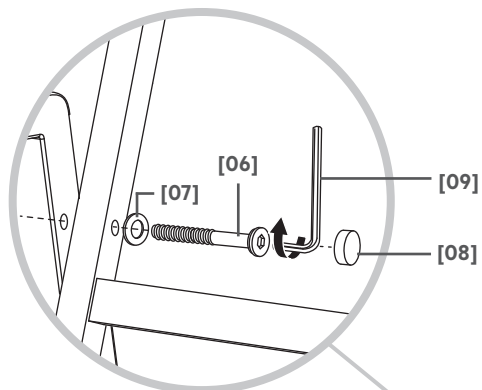
[07] x 2



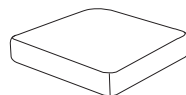
[08] x 2



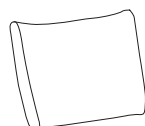
[09] x 1



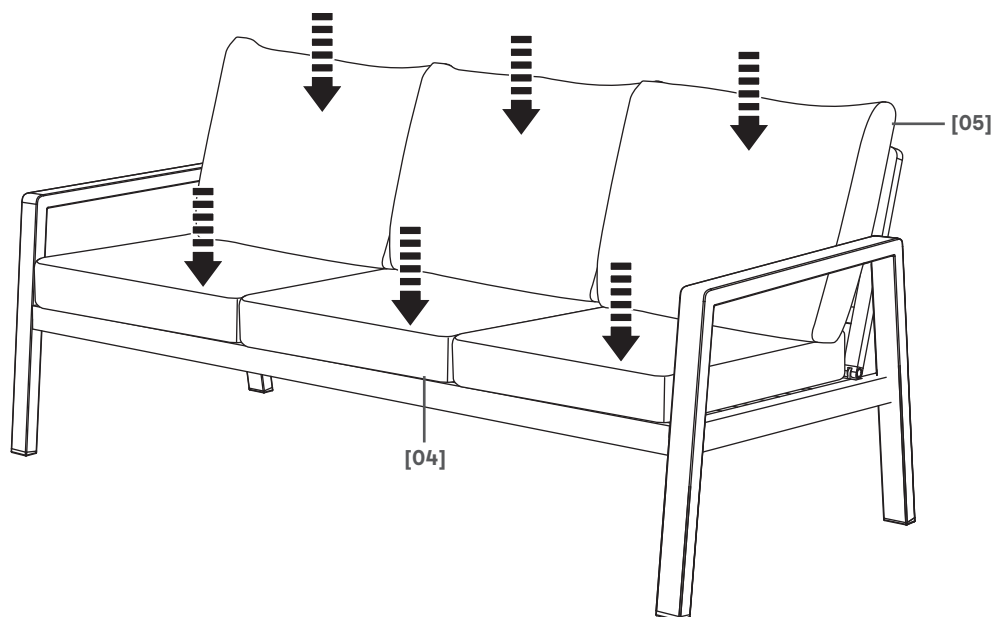
06



[04] x 3



[05] x 3





EN Care
RO Îngrijire
TR Bakım

FR Entretien
ES Cuidados

PL Czyszczenie
PT Cuidados

