

3663602891345
3663602891352
3663602891369
3663602891376 (HT)

Berrow

V30123_3663602891345_MAND1_2223



EN IMPORTANT - Please read carefully the separate safety guide before use.

FR IMPORTANT - Lire attentivement le guide de sécurité séparé avant utilisation.

PL WAŻNE - Przed montażem proszę dokładnie zapoznać się z instrukcją bezpieczeństwa.

DE WICHTIG - Bitte lesen sie die separaten sicherheitsanweisungen vor gebrauch.

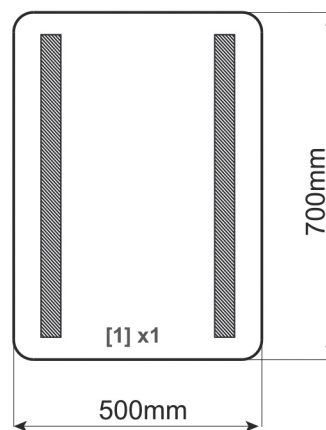
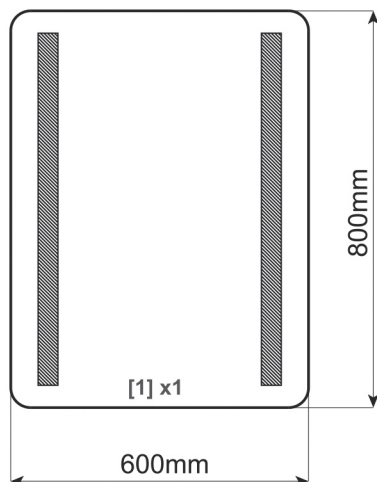
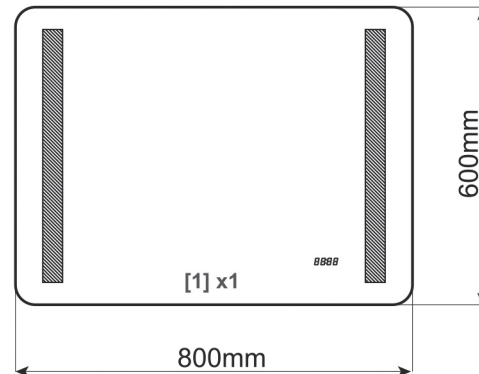
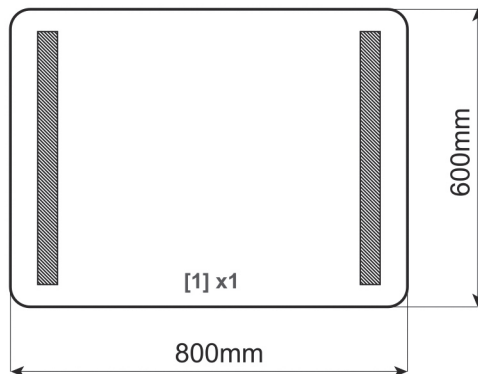
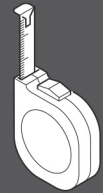
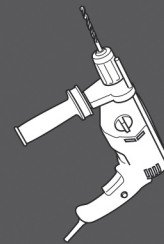
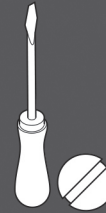
RUS ВАЖНО - Пожалуйста, внимательно прочитайте отдельное руководство по технике безопасности перед использованием.

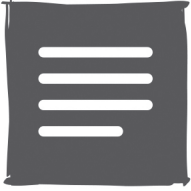
RO IMPORTANT - Vă rugăm să citiți cu atenție ghidul de siguranță separat înainte de utilizare.

ES IMPORTANTE - Lea atentamente la guía de seguridad separado antes de utilizar.

PT IMPORTANTE - Leia atentamente o guia de segurança separado antes de usar.

TR ÖNEMLI - Kullanmadan önce emniyet kurallarını lütfen dikkatle okuyun.





EN Product description

DE Produktbeschreibung

ES Descripción del producto

FR Description du produit

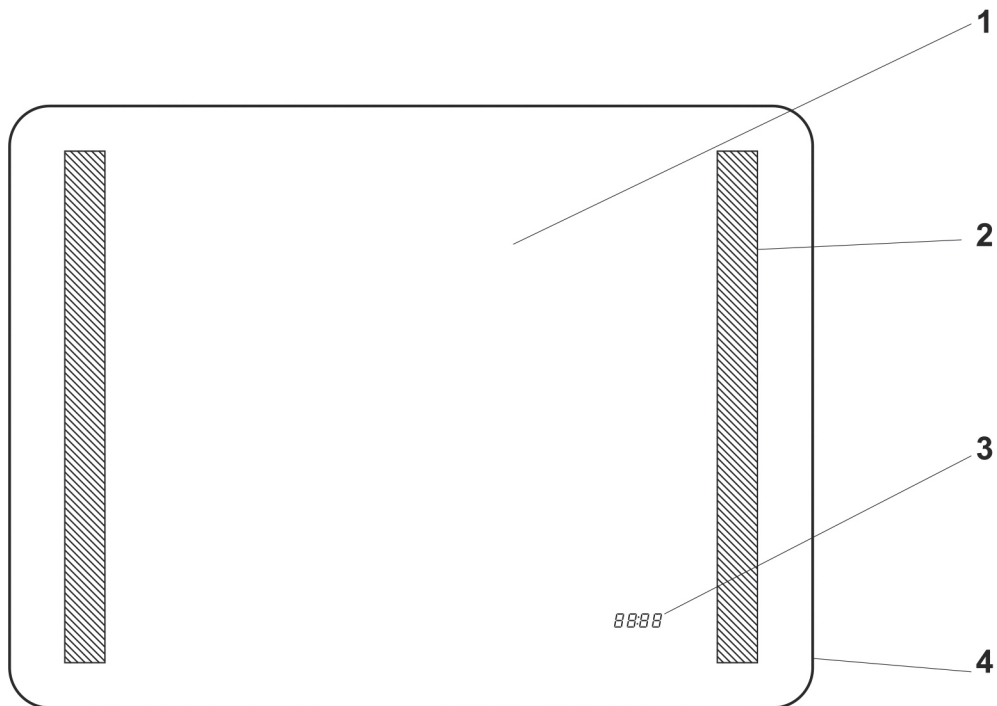
RUS Описание продукта

PT Descrição do Produto

PL Opis produktu

RO Descrierea produsului

TR Ürün Açıklaması



- EN 1. Heated mirror panel to avoid fogging. 2. LED lighting. 3. Additionally in HT models: clock and wireless connection.
4. Switch.

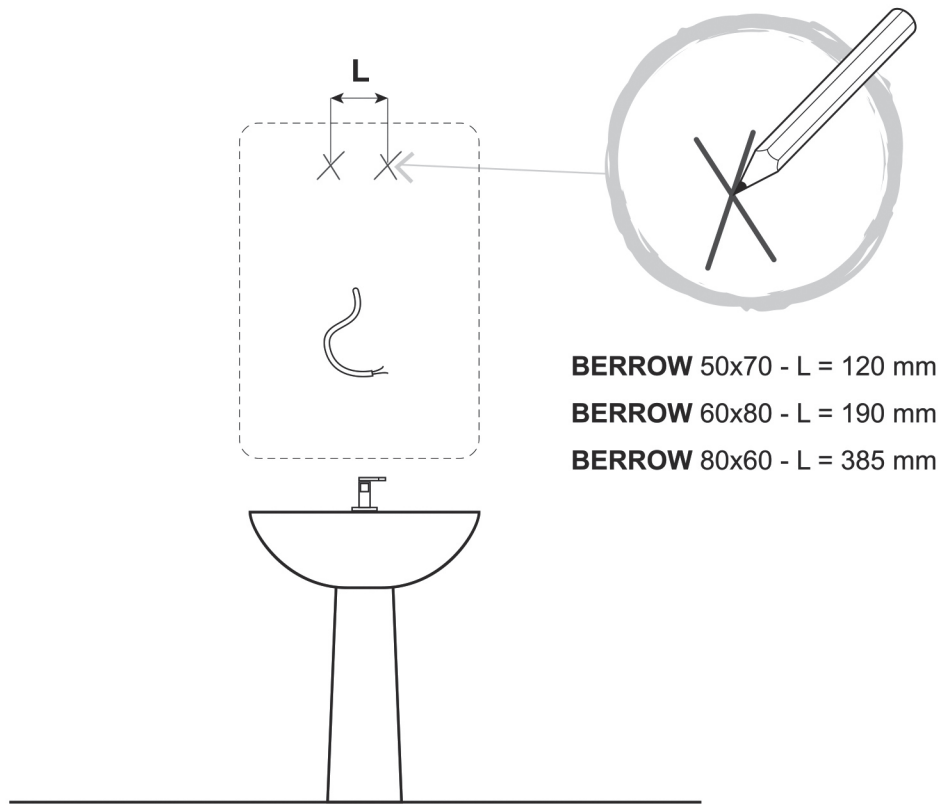


EN Installation
DE Installation
ES Instalación

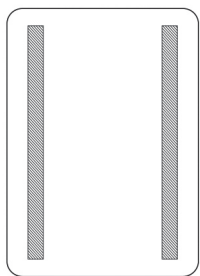
FR Installation
RUS Установка
PT Instalação

PL Instalacja
RO Instalare
TR Montaj

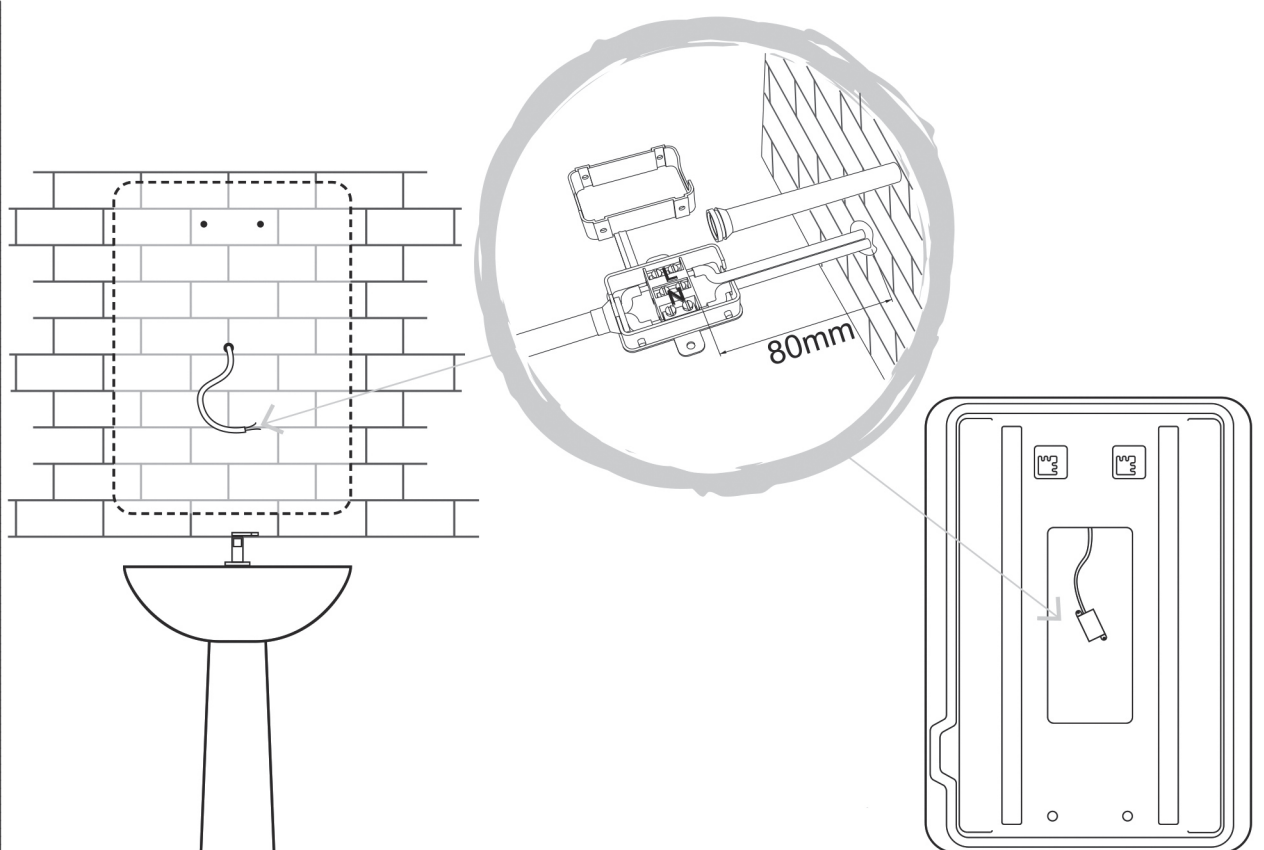
01



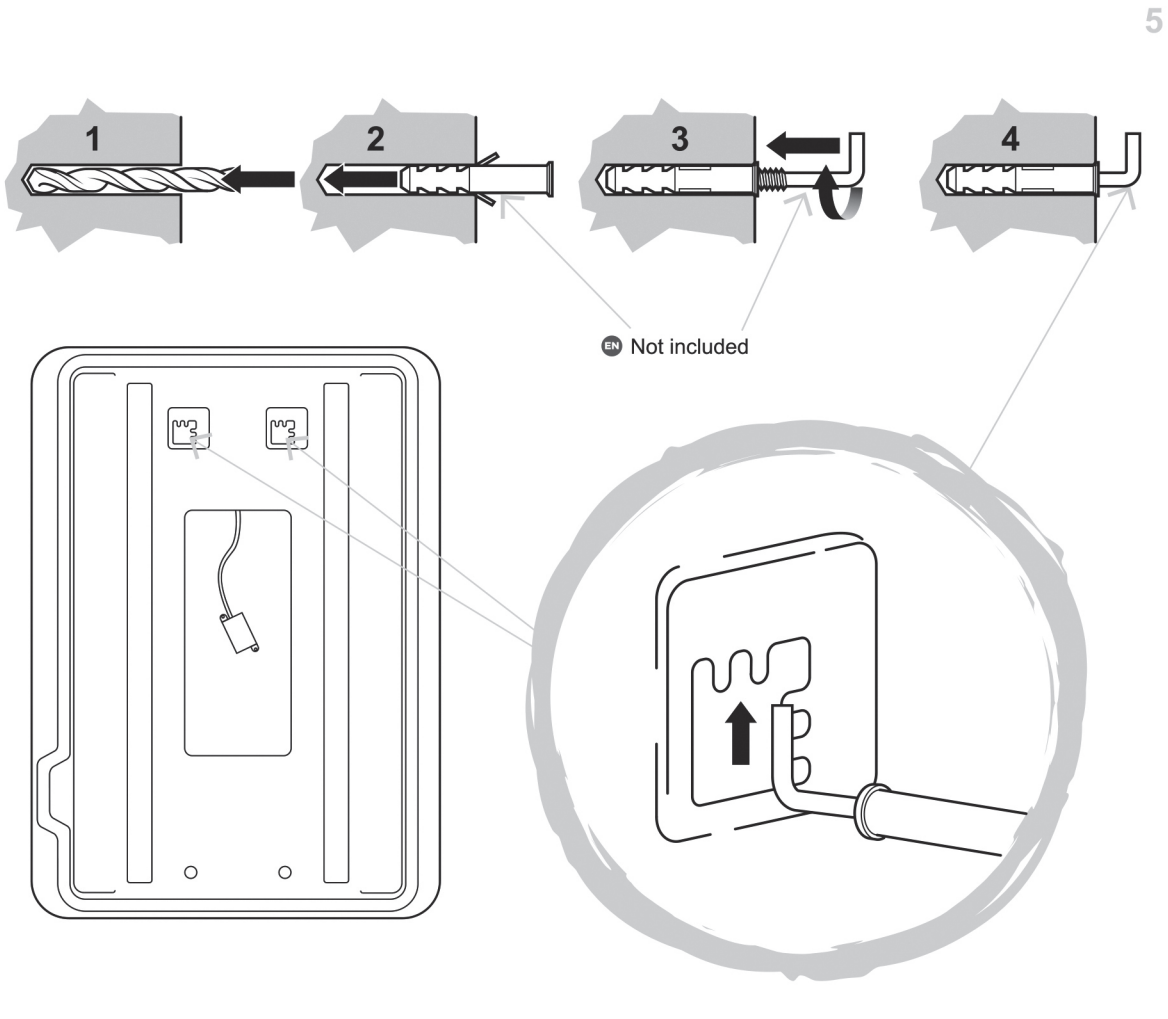
02



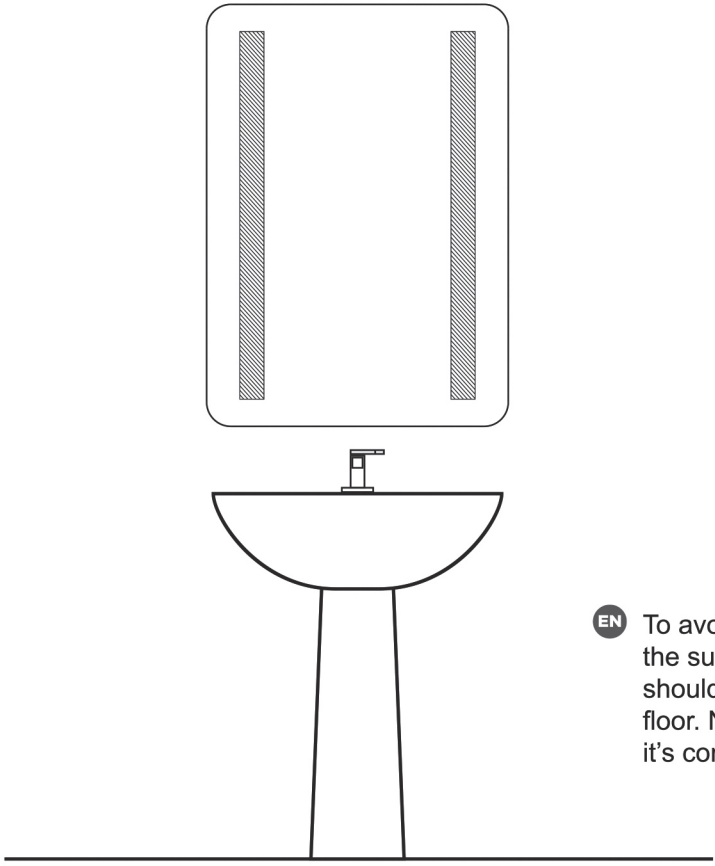
[1] x1



03



04



EN To avoid damage of the edges and the surface of the mirror, the mirror should be unpacked on a carpeted floor. Never put the mirror on its corner!



EN Use
RO Utilizare

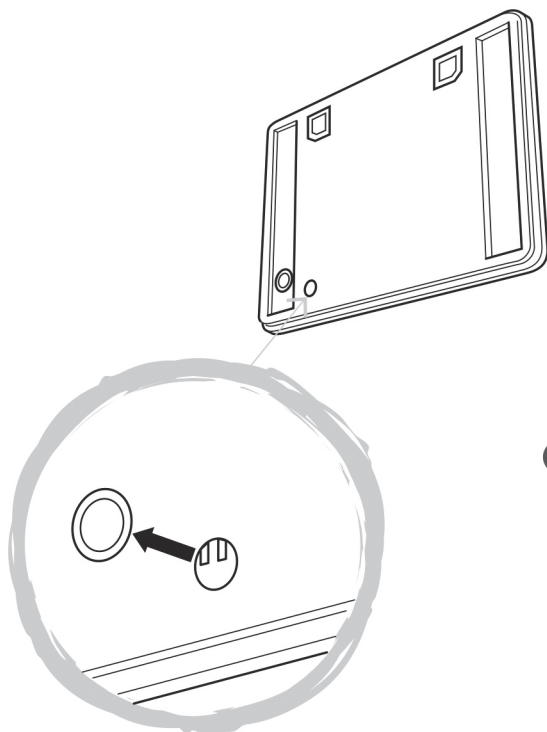
FR Utilisation
ES Uso

PL Użytkowanie
PT Utilização

DE Benutzung
TR Kullanım

RUS Использование

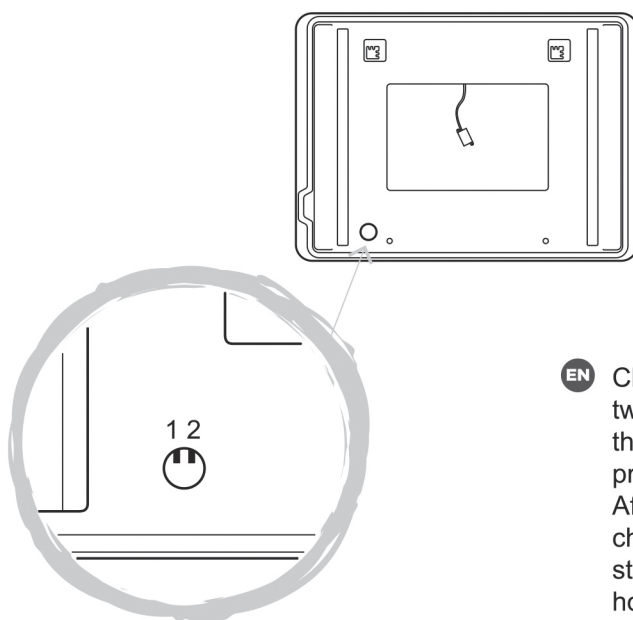
01



EN To set the clock do the following :

1. Unlock the plastic lid from the back of the casing.
2. Set the clock according to the following instructions: The clock has a function to display the time in 24h system.

02



- EN** Clock settings are realised with two buttons: 1,2. Push button (1), the first minute number start flashing, keep pressing button (2) to set the minute. After setting right value push button (1) to change another minute value. Do the same steps to set the hours. After setting the hours push button (1) to exit settings. Clock will stop flashing at this moment. Lock Plastic gap with the lid.

03

EN Wireless connection speaker support

The mirror uses a wireless connection module. This enables signal reception from devices equipped with a wireless connection module (e.g. smartphones) within 5 meters from the mirror. The transmitted signal (e.g. music) is amplified by a single channel amplifier and played by the speakers situated on the bottom of a mirror.

When the mirror lighting is on, the wireless connection module switches on automatically (a characteristic sound confirming the wireless receiver being turned on can be heard). Then, the device sending wireless connection signal shall be turned on (e.g. smartphone) and set for the search option. In the list of detected devices, the mirror will appear as a new text code. Once the mirror is found, the devices need to be connected to/paired with each other by entering (if required) the '0000' code on the mobile device. The fact of connection (pairing of the devices) will be confirmed with a sound. From that moment, voice (e.g.music) can be played from the mobile device through the speakers built into the mirror. Volume can be adjusted using the mobile device connected with the mirror.

Manufacturer • Fabricant • Producent

Producător • Fabricante:

UK Manufacturer:

Kingfisher International Products Limited,
3 Sheldon Square, London, W2 6PX,
United Kingdom

EU Manufacturer:

Kingfisher International Products B.V.
Rapenburgerstraat 175E
1011 VM Amsterdam
The Netherlands
www.kingfisher.com/products

EN

www.diy.com
www.screwfix.com
www.screwfix.ie

**To view instruction manuals online,
visit www.kingfisher.com/products**

FR

www.castorama.fr
www.bricodepot.fr

**Pour consulter les manuels d'instructions
en ligne, rendez-vous sur le site
www.kingfisher.com/products**

PL

www.castorama.pl

**Aby zapoznać się z instrukcją obsługi online,
odwiedź stronę www.kingfisher.com/products**

RO

www.bricodepot.ro

**Pentru a consulta manualele de instrucțiuni
online, vizitați www.kingfisher.com/products**

ES

www.bricodepot.es

**Para consultar los manuales de instrucciones
en línea, visite www.kingfisher.com/products**

PT

www.bricodepot.pt

**Para consultar manuais de instruções online,
visite www.kingfisher.com/products**

TR

İthalatçı Firma:

KOÇTAŞ YAPI MARKETLERİ TİC. A.Ş.
Taşdelen Mah. Sırrı Çelik Bulvarı No:5
34788 Taşdelen/Çekmeköy/İSTANBUL
Tel: +90 216 4300300
Faks: +90 216 4844313
www.koctas.com.tr

**Kullanım kılavuzuna internet üzerinden ulaşmak
için www.kingfisher.com/products adresini
ziyaret edin**

Yetkili servis istasyonları ve yedek parça temini için
aşağıda yer alan Koçtaş Müşteri Hattı ve Koçtaş
Genel Müdürlük irtibat bilgilerinden faydalanınız.

KOÇTAŞ MÜŞTERİ HİZMETLERİ
0850 209 50 50



**ÉLÉMENTS D'EMBALLAGE
À SÉPARER + NOTICE À
DÉPOSER DANS LE BAC
DE TRI**



FR

**Cet appareil
se recycle**

REPRISE
À LA LIVRAISON



À DÉPOSER
EN MAGASIN



À DÉPOSER
EN DÉCHÈTERIE



Points de collecte sur www.quefairedemesdechets.fr
Privilégiez la réparation ou le don de votre appareil !