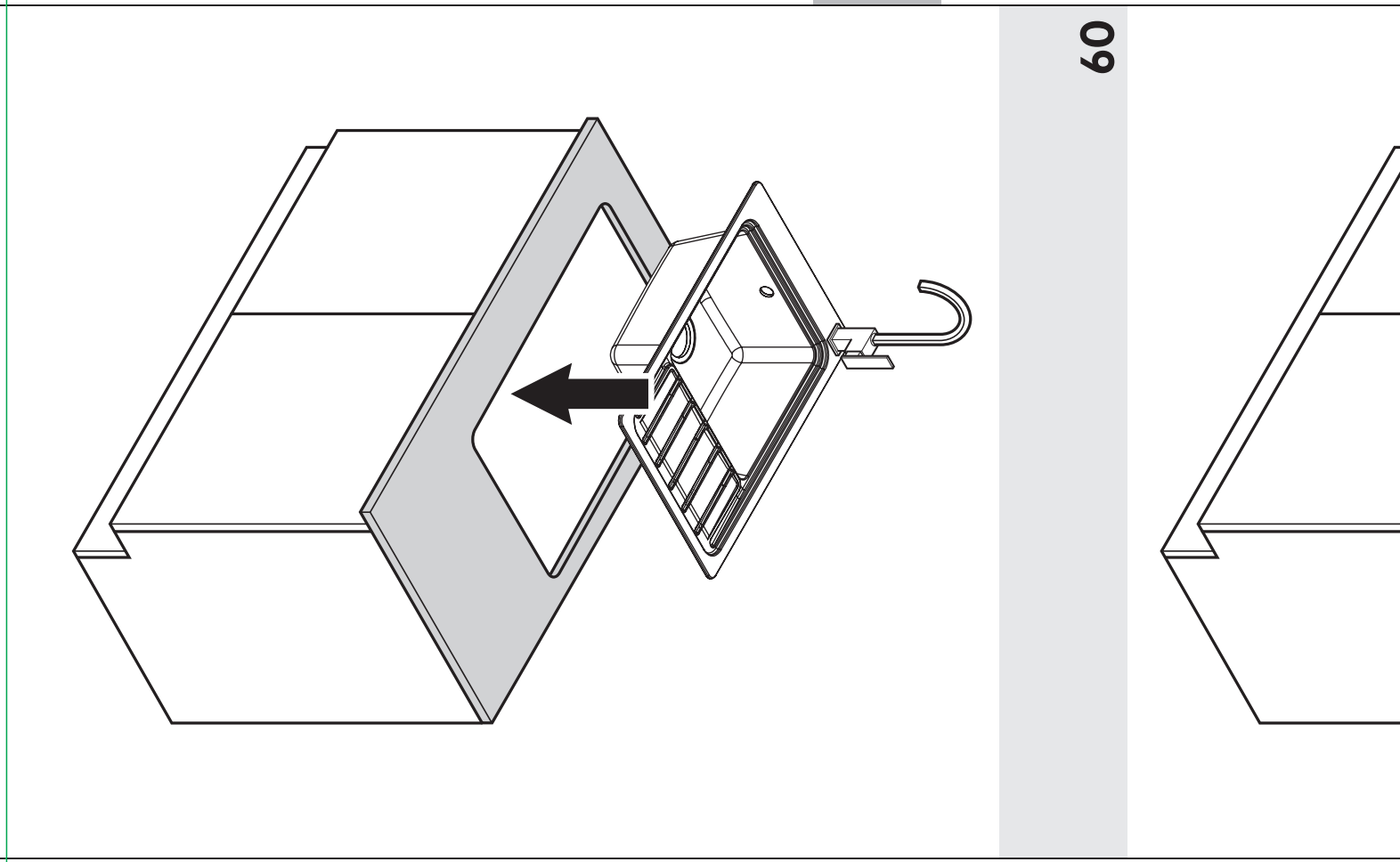


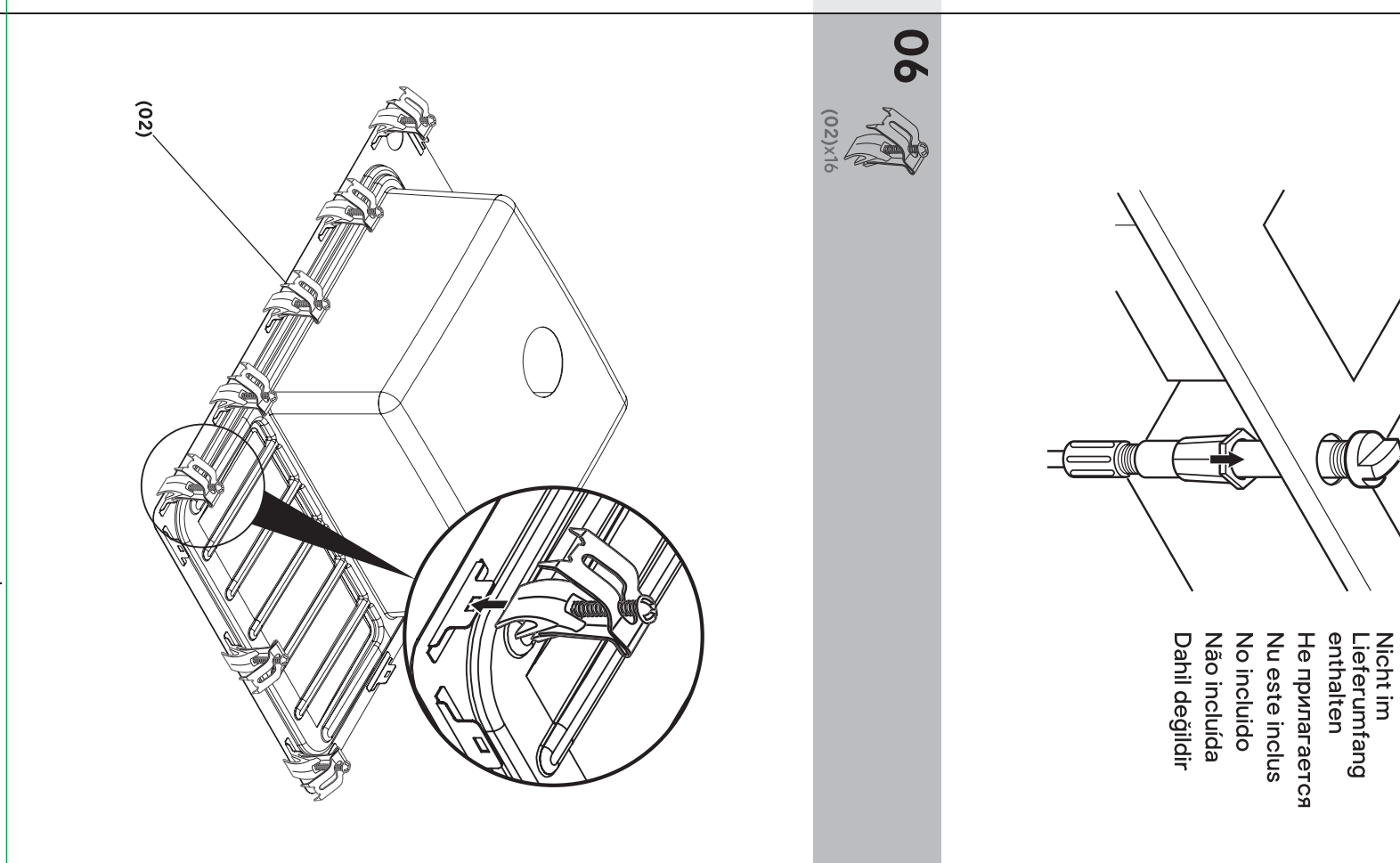
He printerarica
Nu este inclus
No include
Nao include
Dahil degildir

(03)1



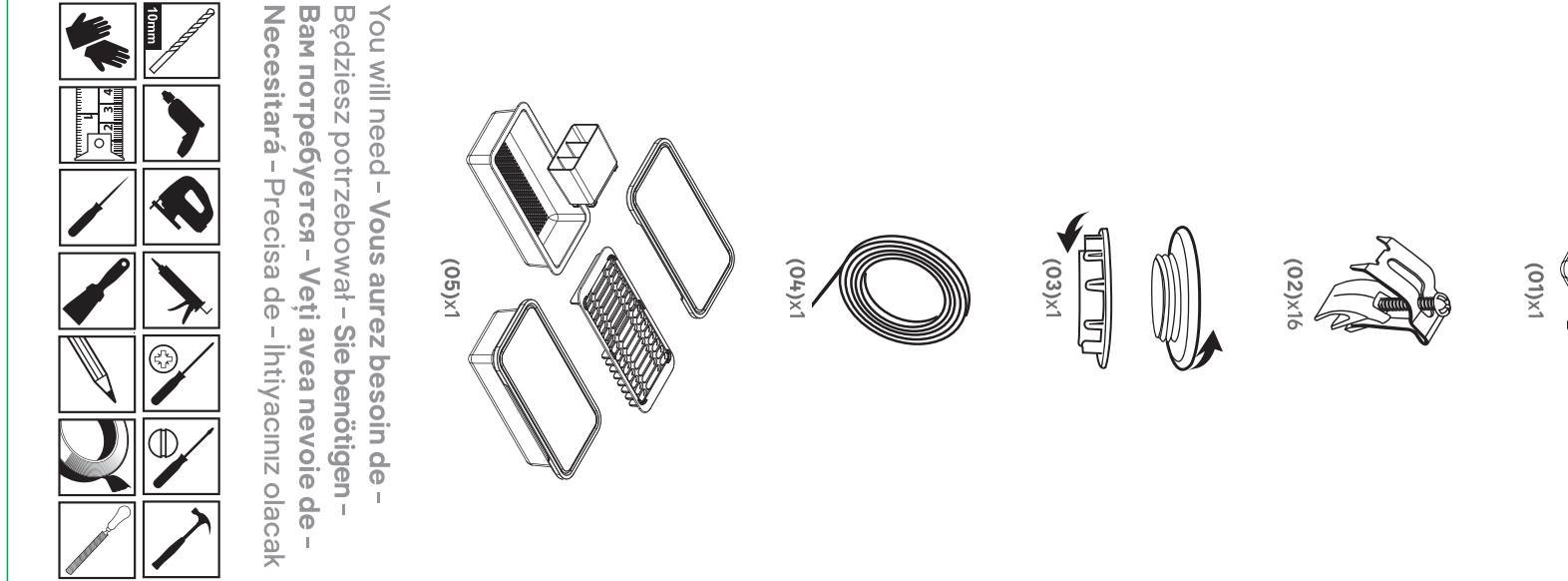
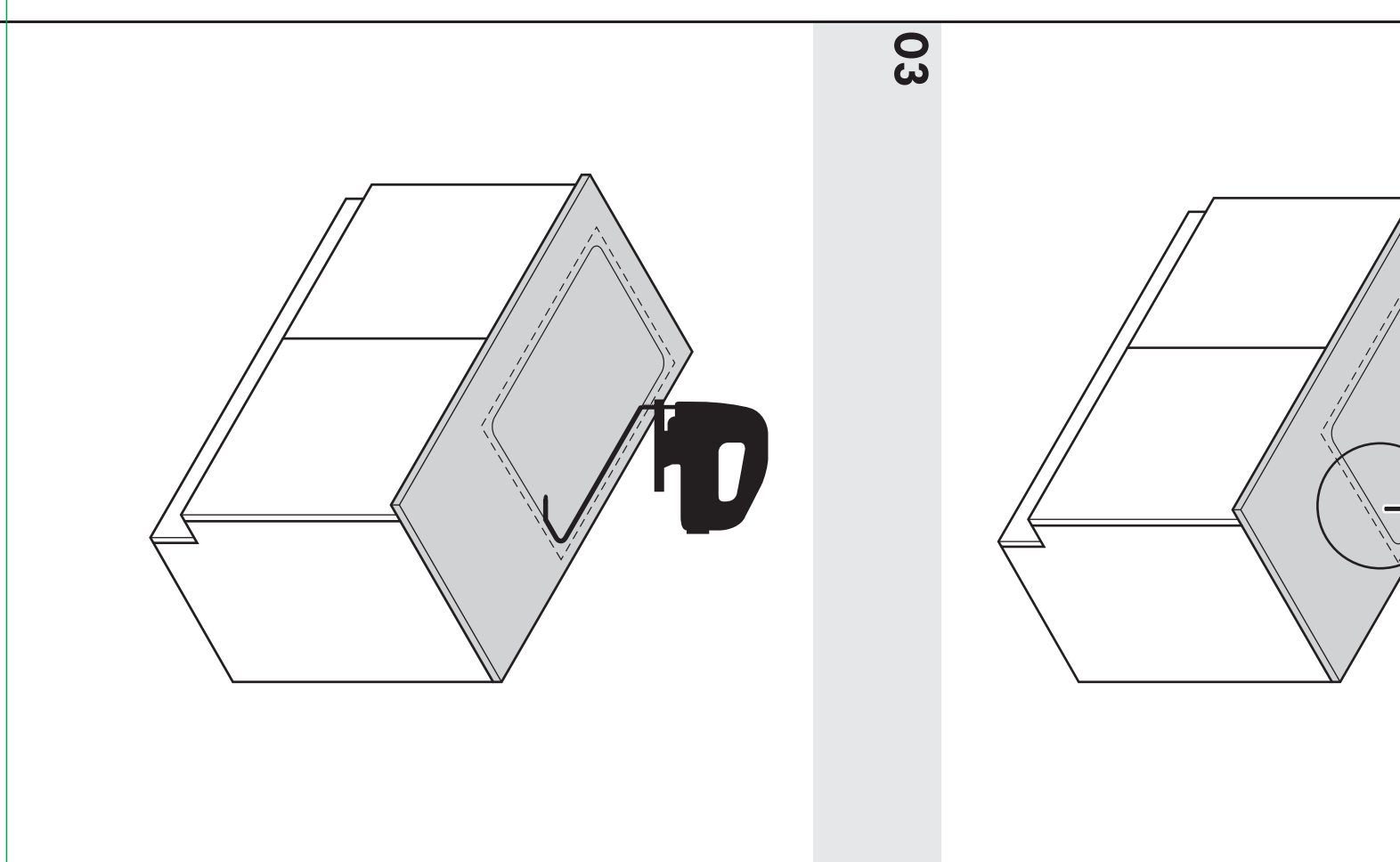
He printerarica
Nu este inclus
No include
Nao include
Dahil degildir

(04)1



He printerarica
Nu este inclus
No include
Nao include
Dahil degildir

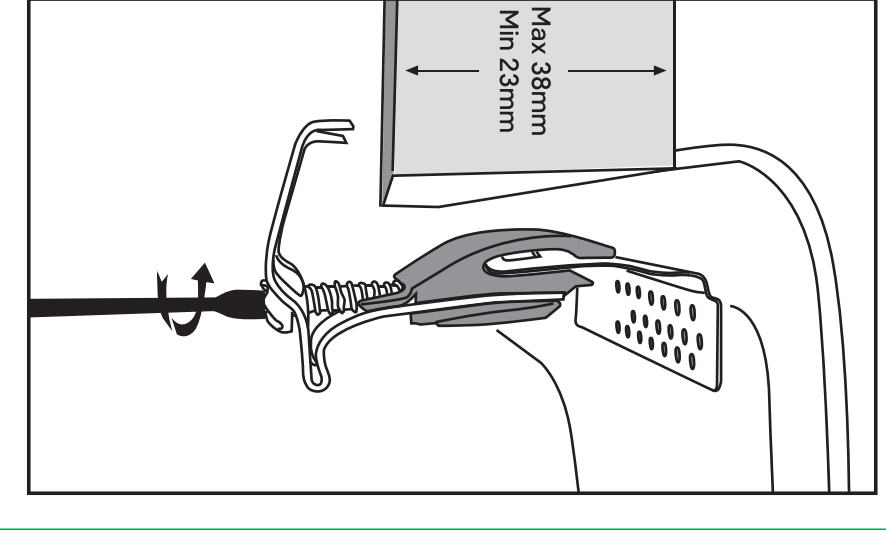
(02)1b



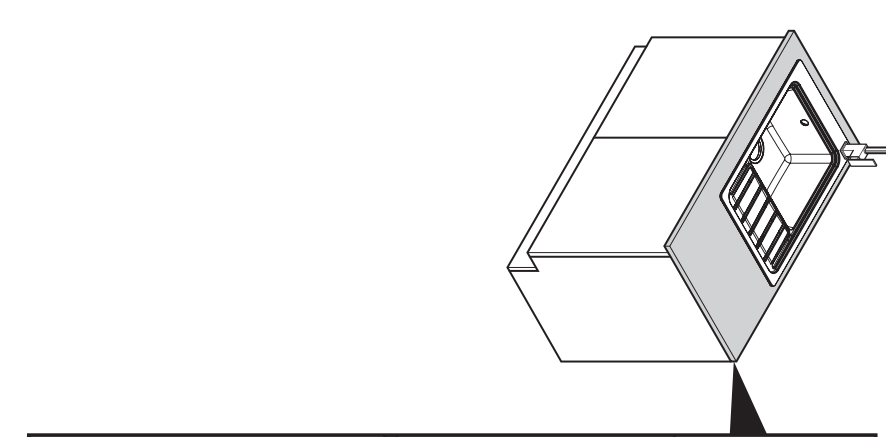
You will need - Vous aurez besoin de -
Bőrdőzsej szükséges - Sie benötigen -
Bim potpuyarica - Veříteva nevojite de -
Necesitará - Precisa de - Iluyinchiz o'clock

Not included
Nu este inclus
No include
Nao include
Dahil degildir

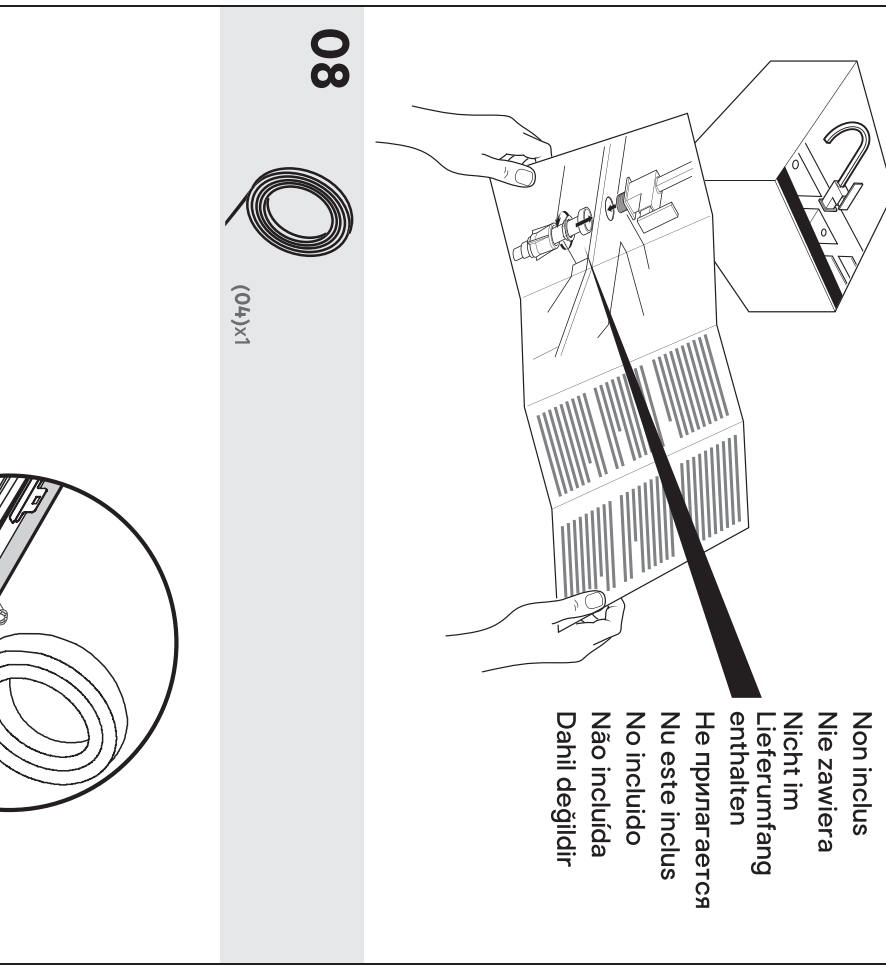
11



Min. 33mm
Min. 23mm

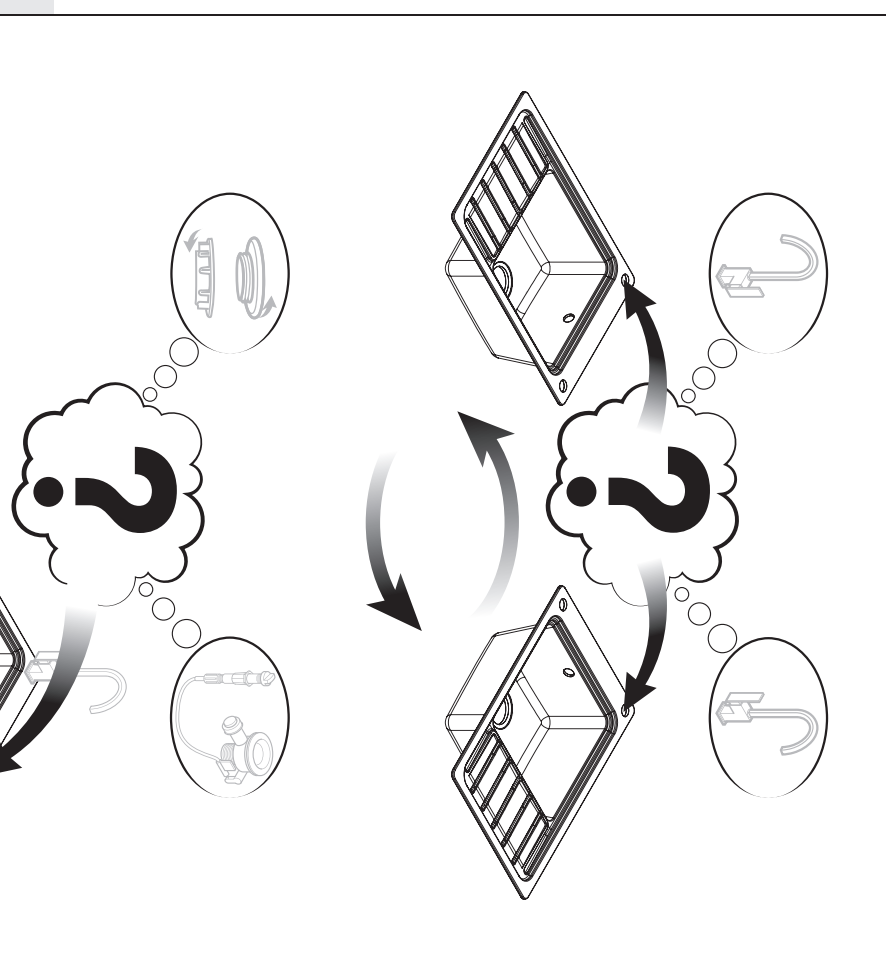


10

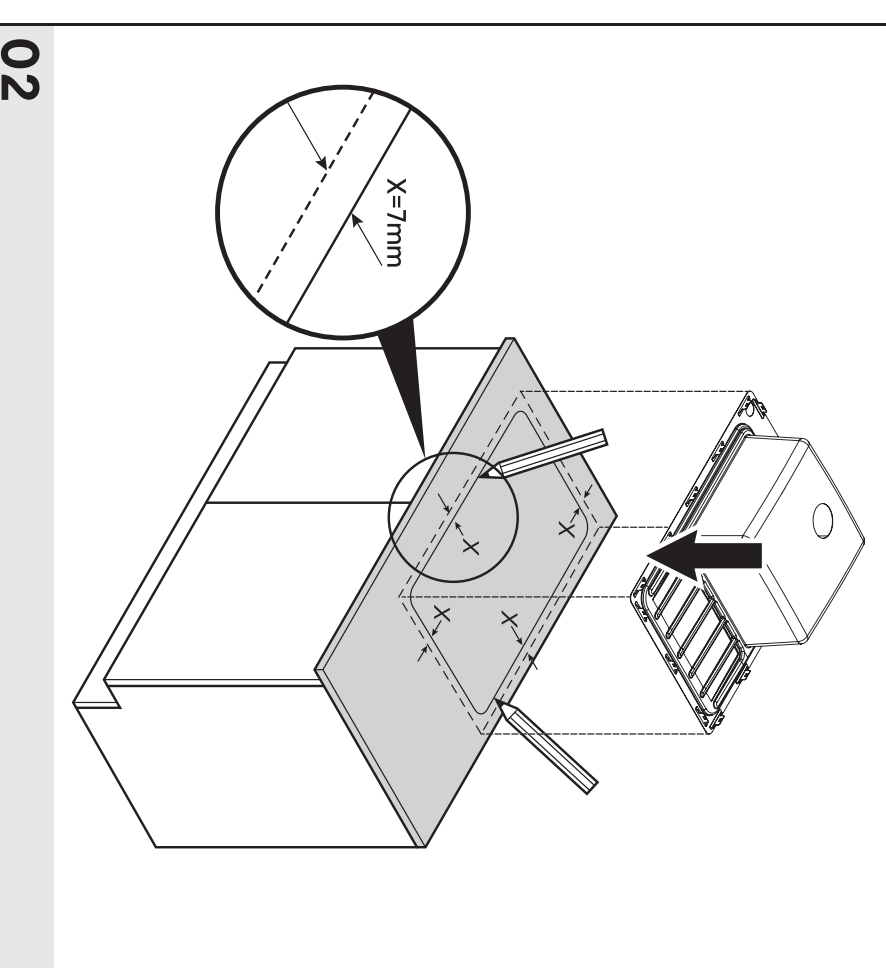


Not included
Nu este inclus
No include
Nao include
Dahil degildir

(04)1

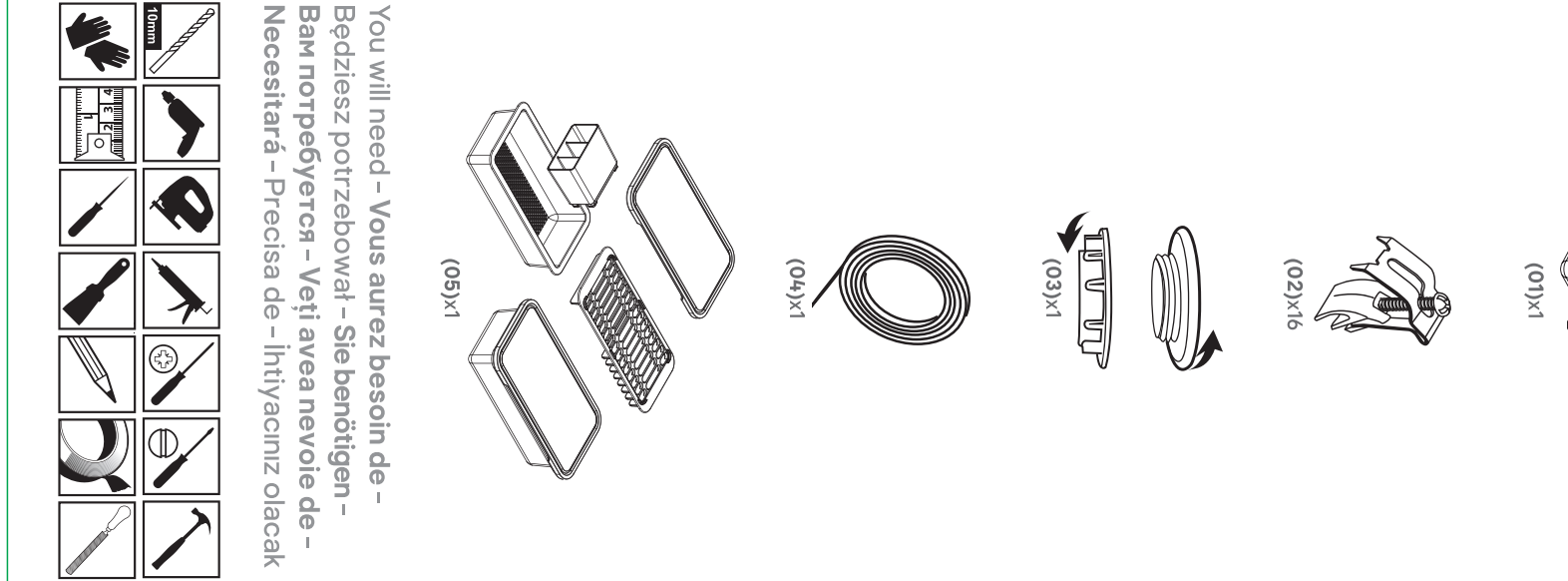
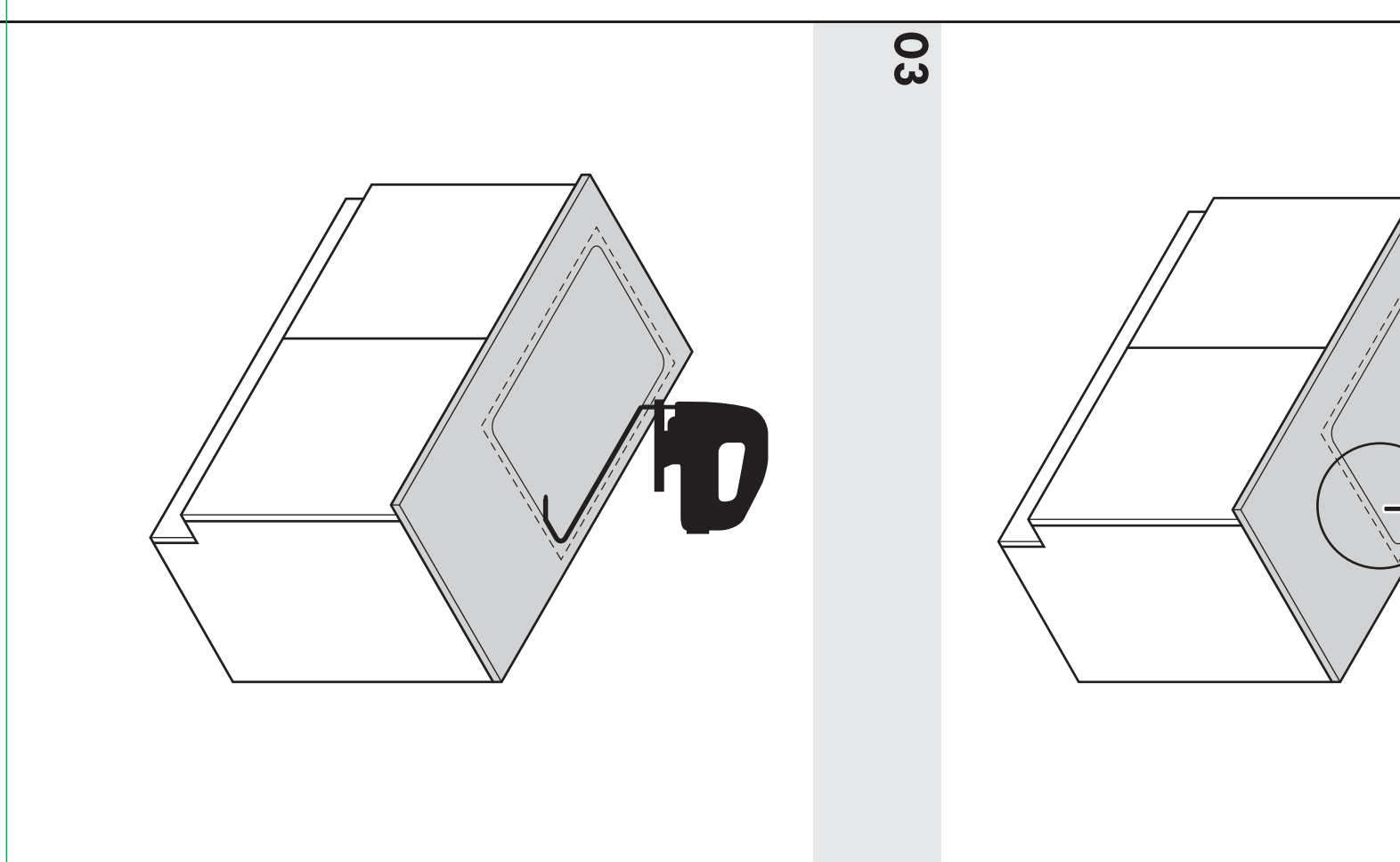


04



01

02



You will need - Vous aurez besoin de -
Bőrdőzsej szükséges - Sie benötigen -
Bim potpuyarica - Veříteva nevojite de -
Necesitará - Precisa de - Iluyinchiz o'clock

GoodHome

romesco

sink with drain & accessories
barcode: 3636302791942

V2120 B3230A

EN Before you start

Important information
✓ Read the instructions carefully before starting assembly.
✓ Do not drink alcohol or use drugs when assembling the product.
✓ Do not use power tools when assembling the product.
✓ Do not use the product before it is fully assembled.
✓ Do not use the product in a way that is not intended.
✓ Do not use the product in a way that is dangerous.
✓ Do not use the product in a way that is illegal.
✓ Do not use the product in a way that is prohibited.

FR Avant de commencer

Information importante
✓ Lisez attentivement les instructions avant de commencer l'assemblage.
✓ Ne buvez pas d'alcool et ne prenez pas de drogues pendant l'assemblage.
✓ N'utilisez pas d'outils électriques pendant l'assemblage.
✓ Ne pas utiliser le produit avant qu'il ne soit complètement assemblé.
✓ Ne pas utiliser le produit d'une manière non prévue.
✓ Ne pas utiliser le produit d'une manière dangereuse.
✓ Ne pas utiliser le produit d'une manière illégale.

PL Przed rozpoczęciem użytkowania

Ważne informacje!
✓ Przeczytaj uważnie instrukcję przed rozpoczęciem montażu.
✓ Nie pij alkoholu i nie używaj narkotyków podczas montażu.
✓ Nie używaj narzędzi elektrycznych podczas montażu.
✓ Nie używaj produktu przed jego całkowitym zamontowaniem.
✓ Nie używaj produktu w sposób niezamierzony.
✓ Nie używaj produktu w sposób niebezpieczny.
✓ Nie używaj produktu w sposób nielegalny.

DE Bevor Sie beginnen

Wichtige Informationen
✓ Lesen Sie die Anweisungen sorgfältig vor dem Zusammenbau.
✓ Trinken Sie kein Alkohol und nehmen Sie keine Drogen während des Zusammenbaus.
✓ Verwenden Sie keine elektrischen Werkzeuge beim Zusammenbau.
✓ Verwenden Sie das Produkt nicht, bevor es vollständig montiert ist.
✓ Verwenden Sie das Produkt nicht auf unzulässige Weise.
✓ Verwenden Sie das Produkt nicht auf gefährliche Weise.
✓ Verwenden Sie das Produkt nicht auf illegale Weise.

ES Antes de empezar

Información importante
✓ Lea atentamente las instrucciones antes de comenzar a montar.
✓ No consuma alcohol ni use drogas durante el montaje.
✓ No utilice herramientas eléctricas durante el montaje.
✓ No utilice el producto hasta que esté completamente montado.
✓ No utilice el producto de manera no prevista.
✓ No utilice el producto de manera peligrosa.
✓ No utilice el producto de manera ilegal.

PT Antes de começar

Informações importantes
✓ Leia atentamente as instruções antes de começar a montar.
✓ Não consuma álcool nem use drogas durante o montagem.
✓ Não utilize ferramentas elétricas durante o montagem.
✓ Não utilize o produto até que esteja completamente montado.
✓ Não utilize o produto de maneira não prevista.
✓ Não utilize o produto de maneira perigosa.
✓ Não utilize o produto de maneira ilegal.

RU Перед началом эксплуатации

Важно!
✓ Прочтите внимательно инструкцию перед началом сборки.
✓ Не употребляйте алкоголь и не используйте наркотики во время сборки.
✓ Не используйте электрические инструменты во время сборки.
✓ Не используйте продукт до его полной сборки.
✓ Не используйте продукт ненадлежащим образом.
✓ Не используйте продукт опасным образом.
✓ Не используйте продукт незаконным образом.

ES Antes de empezar

Información importante
✓ Lea atentamente las instrucciones antes de comenzar a montar.
✓ No consuma alcohol ni use drogas durante el montaje.
✓ No utilice herramientas eléctricas durante el montaje.
✓ No utilice el producto hasta que esté completamente montado.
✓ No utilice el producto de manera no prevista.
✓ No utilice el producto de manera peligrosa.
✓ No utilice el producto de manera ilegal.

PT Antes de começar

Informações importantes
✓ Leia atentamente as instruções antes de começar a montar.
✓ Não consuma álcool nem use drogas durante o montagem.
✓ Não utilize ferramentas elétricas durante o montagem.
✓ Não utilize o produto até que esteja completamente montado.
✓ Não utilize o produto de maneira não prevista.
✓ Não utilize o produto de maneira perigosa.
✓ Não utilize o produto de maneira ilegal.

TR Başlamadan önce

Önemli bilgi
✓ Kurulumdan önce talimatları dikkatlice okuyunuz.
✓ Kurulum sırasında alkol tüketmeyin ve ilaç kullanmayın.
✓ Kurulum sırasında elektrikli araçlar kullanmayın.
✓ Ürünü tam olarak montaj edilene kadar kullanmayın.
✓ Ürünü talimatta belirtilen şekilde kullanmayın.
✓ Ürünü tehlikeli şekilde kullanmayın.
✓ Ürünü yasa dışı şekilde kullanmayın.

RU Уход

Уход
✓ Не используйте продукт в местах с повышенной влажностью.
✓ Не используйте продукт в местах с повышенной температурой.
✓ Не используйте продукт в местах с повышенной кислотностью.
✓ Не используйте продукт в местах с повышенной щелочностью.
✓ Не используйте продукт в местах с повышенной соленостью.
✓ Не используйте продукт в местах с повышенной пылью.
✓ Не используйте продукт в местах с повышенной грязью.

FR Entretien

Entretien
✓ N'utilisez pas le produit dans des endroits à forte humidité.
✓ N'utilisez pas le produit dans des endroits à haute température.
✓ N'utilisez pas le produit dans des endroits à forte acidité.
✓ N'utilisez pas le produit dans des endroits à forte alcalinité.
✓ N'utilisez pas le produit dans des endroits à forte salinité.
✓ N'utilisez pas le produit dans des endroits très poussiéreux.
✓ N'utilisez pas le produit dans des endroits très sales.

PL Konserwacja

Konserwacja
✓ Nie używaj produktu w miejscach o wysokiej wilgotności.
✓ Nie używaj produktu w miejscach o wysokiej temperaturze.
✓ Nie używaj produktu w miejscach o wysokiej kwasowości.
✓ Nie używaj produktu w miejscach o wysokiej zasadowości.
✓ Nie używaj produktu w miejscach o wysokiej soli.
✓ Nie używaj produktu w miejscach o wysokiej pyłowości.
✓ Nie używaj produktu w miejscach o wysokiej brzozy.

DE Pflege

Pflege
✓ Verwenden Sie das Produkt nicht an feuchten Orten.
✓ Verwenden Sie das Produkt nicht an heißen Orten.
✓ Verwenden Sie das Produkt nicht an sauren Orten.
✓ Verwenden Sie das Produkt nicht an alkalischen Orten.
✓ Verwenden Sie das Produkt nicht an salzigen Orten.
✓ Verwenden Sie das Produkt nicht an staubigen Orten.
✓ Verwenden Sie das Produkt nicht an schmutzigen Orten.

ES Cuidado

Cuidado
✓ No utilice el producto en lugares con alta humedad.
✓ No utilice el producto en lugares con alta temperatura.
✓ No utilice el producto en lugares con alta acidez.
✓ No utilice el producto en lugares con alta alcalinidad.
✓ No utilice el producto en lugares con alta salinidad.
✓ No utilice el producto en lugares con mucha polvo.
✓ No utilice el producto en lugares con mucha suciedad.

PT Cuidados

Cuidados
✓ Não utilize o produto em locais com alta humidade.
✓ Não utilize o produto em locais com alta temperatura.
✓ Não utilize o produto em locais com alta acidez.
✓ Não utilize o produto em locais com alta alcalinidade.
✓ Não utilize o produto em locais com alta salinidade.
✓ Não utilize o produto em locais com muita poeira.
✓ Não utilize o produto em locais com muita sujidade.

RU Ингитие

Ингитие
✓ Не используйте продукт в местах с повышенной влажностью.
✓ Не используйте продукт в местах с повышенной температурой.
✓ Не используйте продукт в местах с повышенной кислотностью.
✓ Не используйте продукт в местах с повышенной щелочностью.
✓ Не используйте продукт в местах с повышенной соленостью.
✓ Не используйте продукт в местах с повышенной пылью.
✓ Не используйте продукт в местах с повышенной грязью.

ES Cuidado

Cuidado
✓ No utilice el producto en lugares con alta humedad.
✓ No utilice el producto en lugares con alta temperatura.
✓ No utilice el producto en lugares con alta acidez.
✓ No utilice el producto en lugares con alta alcalinidad.
✓ No utilice el producto en lugares con alta salinidad.
✓ No utilice el producto en lugares con mucha polvo.
✓ No utilice el producto en lugares con mucha suciedad.

PT Cuidados

Cuidados
✓ Não utilize o produto em locais com alta humidade.
✓ Não utilize o produto em locais com alta temperatura.
✓ Não utilize o produto em locais com alta acidez.
✓ Não utilize o produto em locais com alta alcalinidade.
✓ Não utilize o produto em locais com alta salinidade.
✓ Não utilize o produto em locais com muita poeira.
✓ Não utilize o produto em locais com muita sujidade.

TR Bakim

Bakim
✓ Ürünü nemli ortamlarda kullanmayın.
✓ Ürünü sıcak ortamlarda kullanmayın.
✓ Ürünü asitli ortamlarda kullanmayın.
✓ Ürünü alkali ortamlarda kullanmayın.
✓ Ürünü tuzlu ortamlarda kullanmayın.
✓ Ürünü tozlu ortamlarda kullanmayın.
✓ Ürünü kirli ortamlarda kullanmayın.

Garantia
✓ Acest produs este acoperit de o garanție de 2 ani.
✓ Garanția nu acoperă defectele cauzate de uzură normală sau de utilizare necorespunzătoare.
✓ Garanția nu acoperă defectele cauzate de accidente sau de forță majoră.
✓ Garanția nu acoperă defectele cauzate de modificări sau de reparații efectuate de către terți.
✓ Garanția nu acoperă defectele cauzate de transport sau de manipulare necorespunzătoare.
✓ Garanția nu acoperă defectele cauzate de incendii sau de furturi.
✓ Garanția nu acoperă defectele cauzate de deteriorări fizice sau de deteriorări ale aspectului exterior.

Warranty
✓ This product is covered by a 2-year warranty.
✓ The warranty does not cover defects caused by normal wear or misuse.
✓ The warranty does not cover defects caused by accidents or force majeure.
✓ The warranty does not cover defects caused by modifications or repairs by third parties.
✓ The warranty does not cover defects caused by transport or improper handling.
✓ The warranty does not cover defects caused by fire or theft.
✓ The warranty does not cover defects caused by physical damage or damage to the appearance.

Garantia
✓ Acest produs este acoperit de o garanție de 2 ani.
✓ Garanția nu acoperă defectele cauzate de uzură normală sau de utilizare necorespunzătoare.
✓ Garanția nu acoperă defectele cauzate de accidente sau de forță majoră.
✓ Garanția nu acoperă defectele cauzate de modificări sau de reparații efectuate de către terți.
✓ Garanția nu acoperă defectele cauzate de transport sau de manipulare necorespunzătoare.
✓ Garanția nu acoperă defectele cauzate de incendii sau de furturi.
✓ Garanția nu acoperă defectele cauzate de deteriorări fizice sau de deteriorări ale aspectului exterior.

Warranty
✓ This product is covered by a 2-year warranty.
✓ The warranty does not cover defects caused by normal wear or misuse.
✓ The warranty does not cover defects caused by accidents or force majeure.
✓ The warranty does not cover defects caused by modifications or repairs by third parties.
✓ The warranty does not cover defects caused by transport or improper handling.
✓ The warranty does not cover defects caused by fire or theft.
✓ The warranty does not cover defects caused by physical damage or damage to the appearance.

Warranty
✓ This product is covered by a 2-year warranty.
✓ The warranty does not cover defects caused by normal wear or misuse.
✓ The warranty does not cover defects caused by accidents or force majeure.
✓ The warranty does not cover defects caused by modifications or repairs by third parties.
✓ The warranty does not cover defects caused by transport or improper handling.
✓ The warranty does not cover defects caused by fire or theft.
✓ The warranty does not cover defects caused by physical damage or damage to the appearance.

Warranty
✓ This product is covered by a 2-year warranty.
✓ The warranty does not cover defects caused by normal wear or misuse.
✓ The warranty does not cover defects caused by accidents or force majeure.
✓ The warranty does not cover defects caused by modifications or repairs by third parties.
✓ The warranty does not cover defects caused by transport or improper handling.
✓ The warranty does not cover defects caused by fire or theft.
✓ The warranty does not cover defects caused by physical damage or damage to the appearance.

Warranty
✓ This product is covered by a 2-year warranty.
✓ The warranty does not cover defects caused by normal wear or misuse.
✓ The warranty does not cover defects caused by accidents or force majeure.
✓ The warranty does not cover defects caused by modifications or repairs by third parties.
✓ The warranty does not cover defects caused by transport or improper handling.
✓ The warranty does not cover defects caused by fire or theft.
✓ The warranty does not cover defects caused by physical damage or damage to the appearance.

Warranty
✓ This product is covered by a 2-year warranty.
✓ The warranty does not cover defects caused by normal wear or misuse.
✓ The warranty does not cover defects caused by accidents or force majeure.
✓ The warranty does not cover defects caused by modifications or repairs by third parties.
✓ The warranty does not cover defects caused by transport or improper handling.
✓ The warranty does not cover defects caused by fire or theft.
✓ The warranty does not cover defects caused by physical damage or damage to the appearance.

Warranty
✓ This product is covered by a 2-year warranty.
✓ The warranty does not cover defects caused by normal wear or misuse.
✓ The warranty does not cover defects caused by accidents or force majeure.
✓ The warranty does not cover defects caused by modifications or repairs by third parties.
✓ The warranty does not cover defects caused by transport or improper handling.
✓ The warranty does not cover defects caused by fire or theft.
✓ The warranty does not cover defects caused by physical damage or damage to the appearance.

Warranty
✓ This product is covered by a 2-year warranty.
✓ The warranty does not cover defects caused by normal wear or misuse.
✓ The warranty does not cover defects caused by accidents or force majeure.
✓ The warranty does not cover defects caused by modifications or repairs by third parties.
✓ The warranty does not cover defects caused by transport or improper handling.
✓ The warranty does not cover defects caused by fire or theft.
✓ The warranty does not cover defects caused by physical damage or damage to the appearance.