
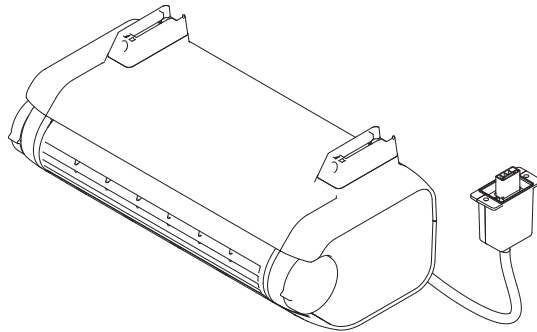


**DO NOT PRINT THIS PAGE -  
IT IS FOR INFORMATION ONLY**

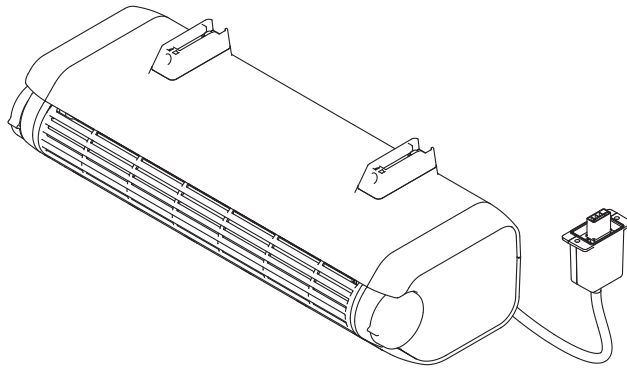


SEPARATIONS	JOB INFO	
 PROCESS BLACK	PID #: 195291_s2_s2 Agency Job #: PRJ15441 Product Description: Electrical Heating	Brand: GoodHome Brand Contact: Barcode: 3663602438021 Vendor: DL Radiator No. of New Line Drawings: 0 Page Size: A5 / No. of Pages:
	VERSION #	
	<b>1</b> 06/01/20 Sonia	<b>2</b> 09/01/20 Sonia
	<b>3</b> 04/02/20 Sonia	<b>4</b> 06/02/20 Sonia
		<b>5</b> 13/02/20 Alpha
<p>This file is the property of Kingfisher Group Plc. No copying, alteration or amendment is permitted without written authorisation from the Kingfisher Brand Team.</p> <p>翠丰集团不会以专色(PMS)作参考，请参照已提供的印刷标准及Lab色彩数值生产以符合印刷品之标准。本文件的版权归翠丰集团所有。未经翠丰品牌团队的书面同意，不得对本文件进行复制、变更或修改。</p>		

# Acilia



**3663602438021**



**3663602438038**



EN Contents    FR Contenu  
PL Zawartość    RO Cuprins

**02**



## **Safety**

**04**

FR	Sécurité	19
PL	Bezpieczeństwo	34
RO	Siguranță	49



## **Installation**

**09**

FR	Installation	24
PL	Montaż	39
RO	Instalare	54



## **Care and Maintenance**

**15**

FR	Entretien et Maintenance	30
PL	Czyszczenie i konserwacja	45
RO	Îngrijire și întreținere	60



## **Guarantee**

**18**

FR	Garantie	33
PL	Gwarancja	48
RO	Garanție	63

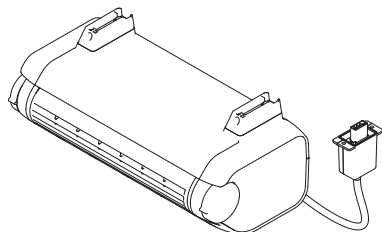


EN IMPORTANT - Please read the following instructions carefully before using the appliance and retain for further reference.

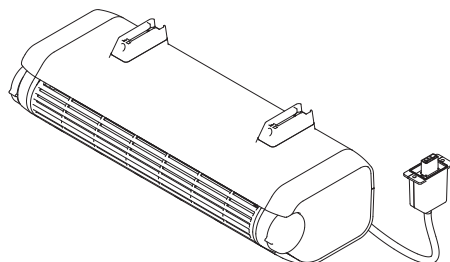
FR IMPORTANT - Veuillez lire attentivement les instructions suivantes avant d'utiliser l'appareil et les conserver pour référence.

PL WAŻNE - Przed użyciem proszę dokładnie zapoznać się z instrukcją bezpieczeństwa.

RO IMPORTANT - Vă rugăm să citiți cu atenție ghidul de siguranță separat înainte de utilizare.

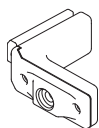


**3663602438021**



**3663602438038**

[01] x1



[02] x2



[03] x2



[04] x2



[05] x2



[06] x2



### EN Before you start

THIS INSTRUCTION MANUAL IS IMPORTANT TO YOUR SAFETY. READ THE ENTIRE MANUAL CAREFULLY BEFORE USING THE APPLIANCE AND KEEP IT FOR FUTURE REFERENCE.

**CAUTION:** Some parts of this product can become very hot and cause burns. Particular attention has to be given where children and vulnerable people are present.

- Children of less than 3 years should be kept away unless continuously supervised. Children aged from 3 years and less than 8 years shall only switch on/off the appliance provided that it has been placed or installed in its intended normal operating position and they have been given supervision or instruction concerning use of the appliance in a safe way and understand the hazards involved.
- Children between 3 and 8 years old must not disconnect, regulate and clean the appliance or perform user maintenance.
- This appliance can be used by children aged from 8 years and above and persons with reduced physical, sensory or mental capabilities or lack of experience and knowledge if they have been given supervision or instruction concerning use of the appliance in a safe way and understand the hazards involved. Children shall not play with the appliance. Cleaning and user maintenance shall not be made by children without supervision.
- Never install the appliance:
  - immediately below or in front of a power socket or a junction box
  - near curtains, flammable or combustible materials or pressure vessels.



**WARNING:** Respect the distances shown in figures 2, 3. To avoid all risks for young children, install the appliance with the lowest heating element at least 60 cm from the floor. (Fig. 2).

- Install and use the appliance as described in these instructions only.
- If the supply cord is damaged, it must be replaced by the manufacturer, its service agent or similarly qualified persons in order to avoid hazard. Never use the appliance if the electronic controls are damaged.
- Make sure the fixed power line is fitted with a disconnecting switch allowing the appliance to be disconnected completely from the household mains, included the Pilot Wire, when present, in accordance with the wiring rules.



**WARNING:** Do not obstruct the air outlet and intake grilles on the fan heater. This could cause the appliance to overheat.

- This appliance is designed to heat domestic rooms or similar and to dry towels. Some parts of this product can become very hot and cause burns. Particular attention has to be given where children and vulnerable people are present.
- Keep combustible or flammable materials or pressure vessels (e.g. spray cans, fire extinguishers) at least 50 cm from the appliance. Do not vaporise any type of substance on the surface of the appliance.



## Safety

06

- Never touch the appliance with wet or damp hands or feet. Do not wet the electronic control unit with water or other fluids. If this occurs, disconnect the appliance from the mains power supply and allow to dry completely.
- When the appliance is installed at high altitude, the air will be hotter than the set temperature.
- In cold conditions, the radiator may emit metallic sounds when turned on. This is due to the expansion of the materials.

**Voltage:** 230 V~ 50 Hz



Conformity with all relevant EC Directive requirements.



Waste electrical products should not be disposed of with household waste. Please recycle where facilities exist. Check with your Local Authority or local store for recycling advice.



Class II product - Double Insulated - No earth required.



Caution, hot surface

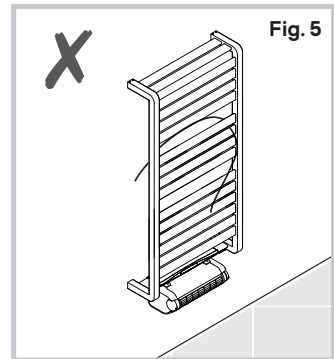
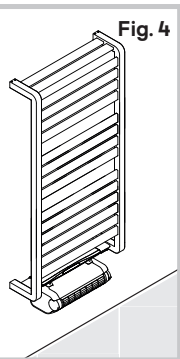
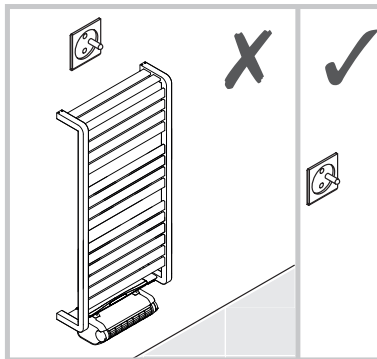
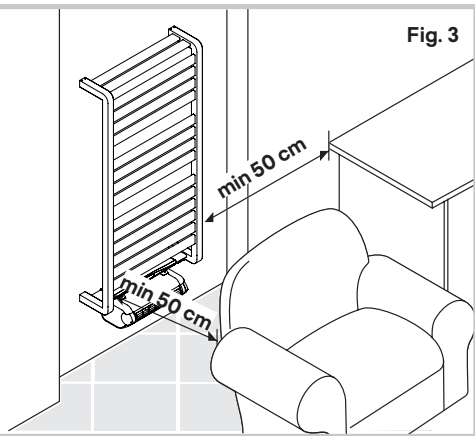
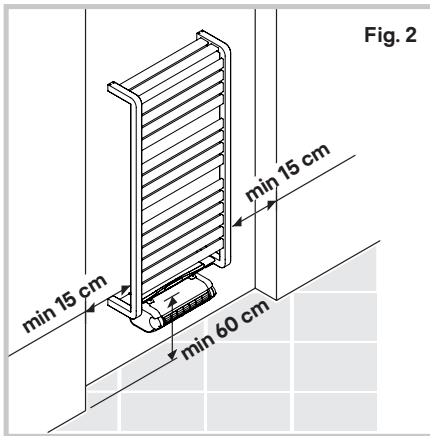
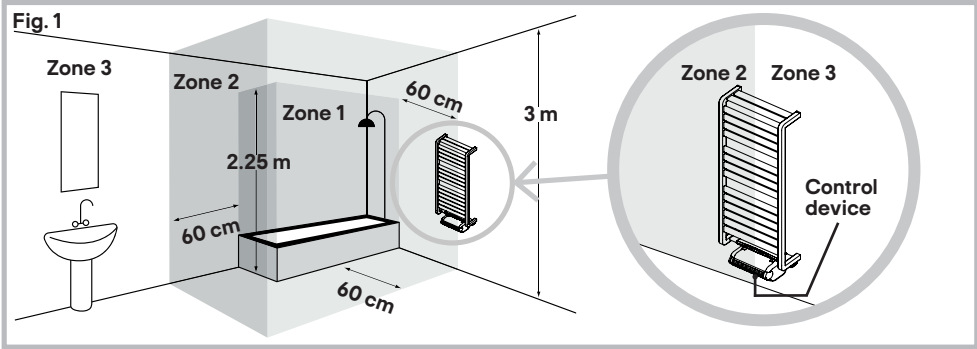
**IP24**

Rain-proof

yyWxx

Manufacturing date code; year of manufacturing (20yy) and week of manufacturing (Wxx).

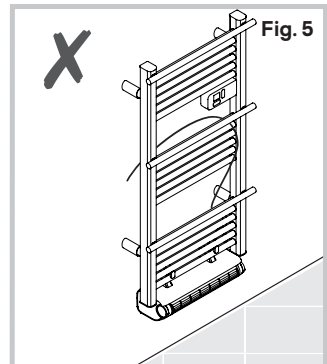
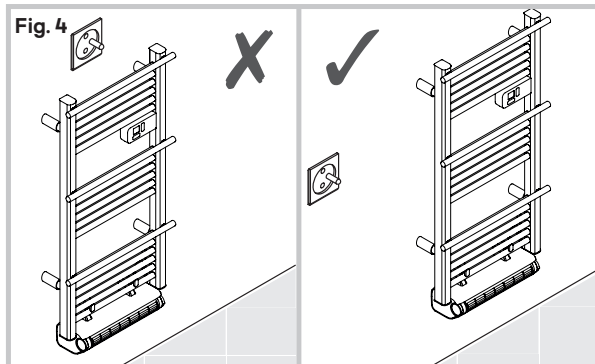
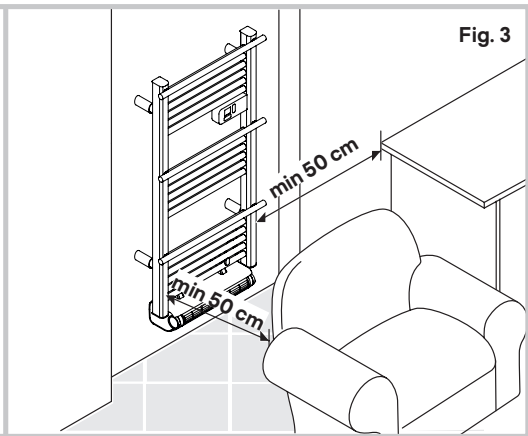
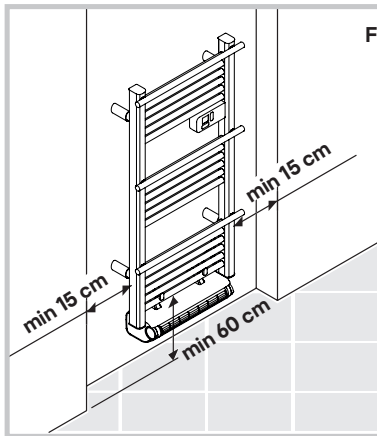
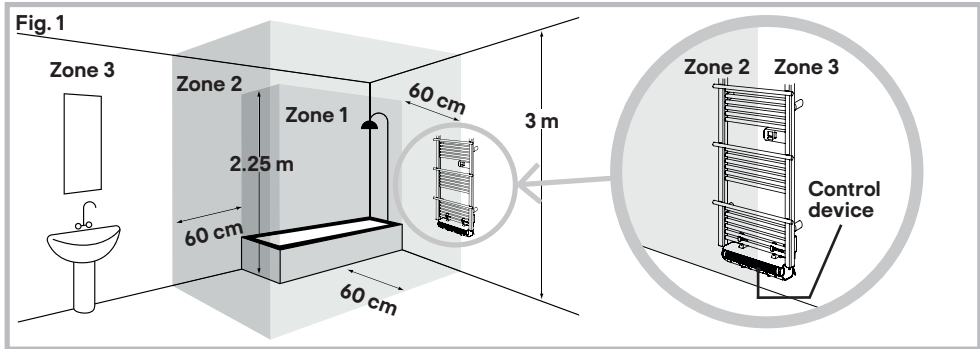
**Loreto**







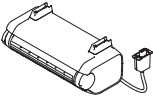
Solna



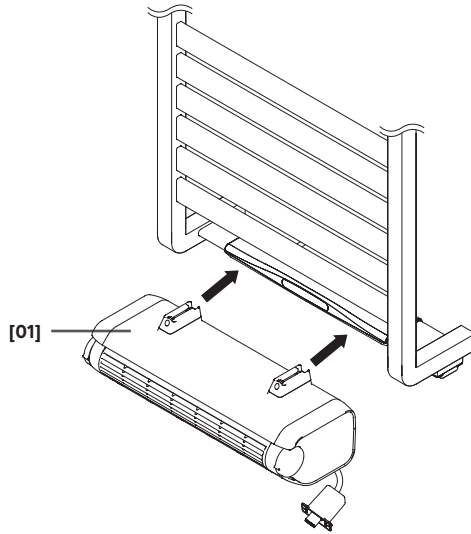


Loreto

# 01



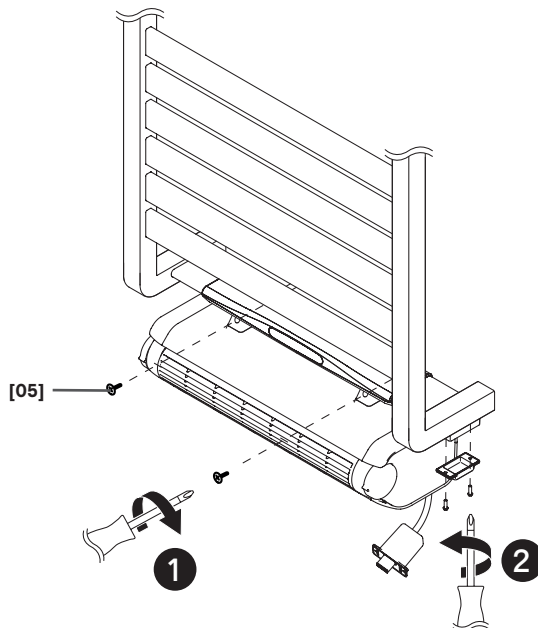
[01] x1



# 02

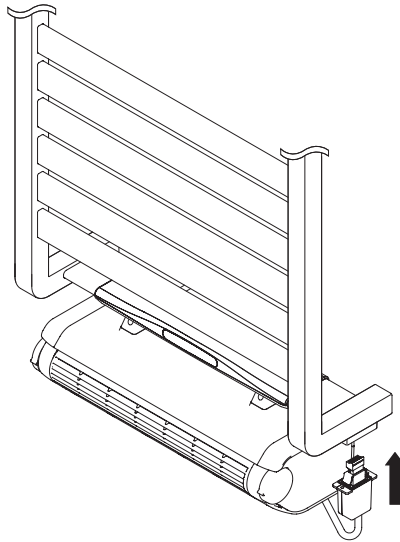


[05] x2

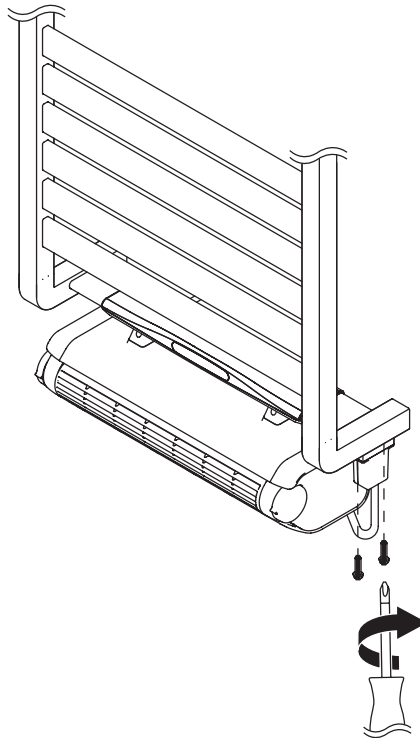




# 03



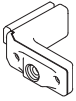
# 04



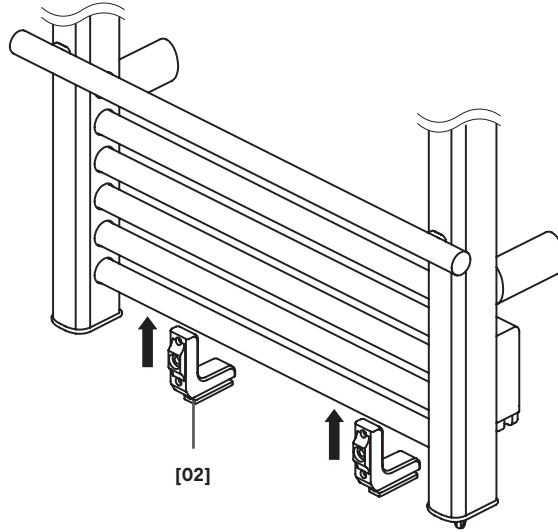


Solna

# 01



[02] x2



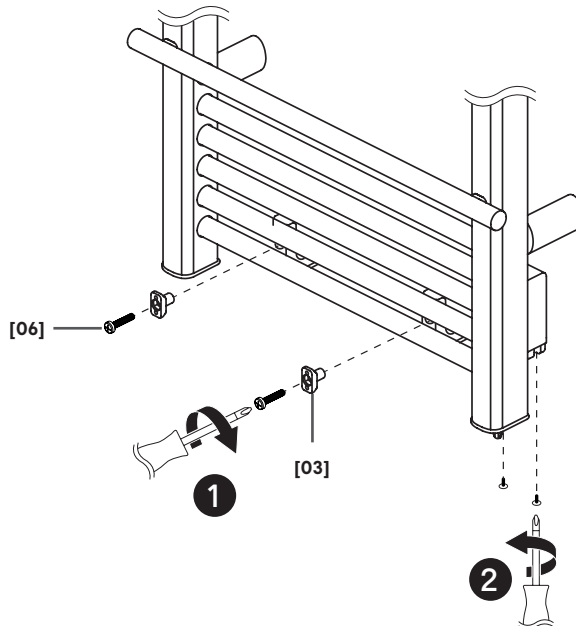
# 02



[03] x2

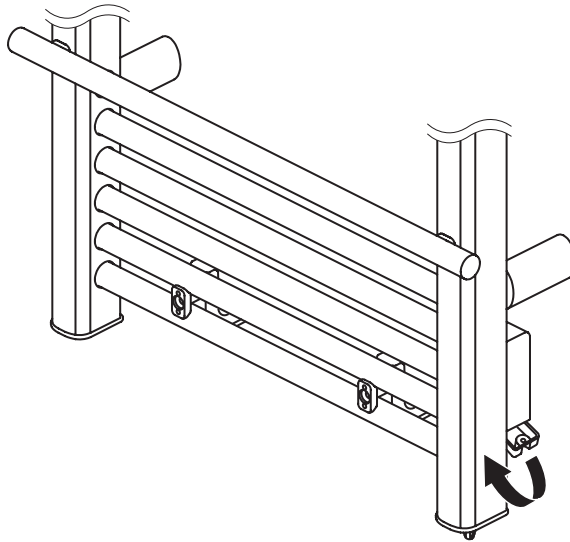


[06] x2

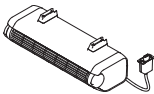




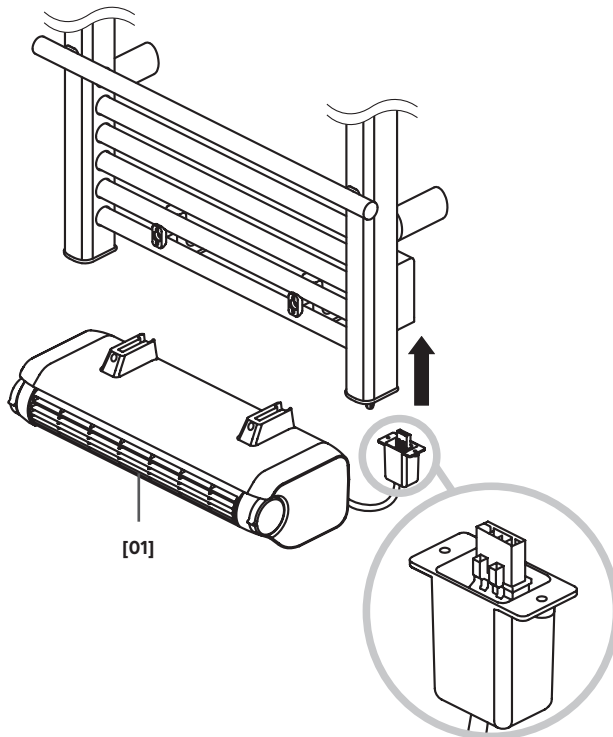
# 03



# 04

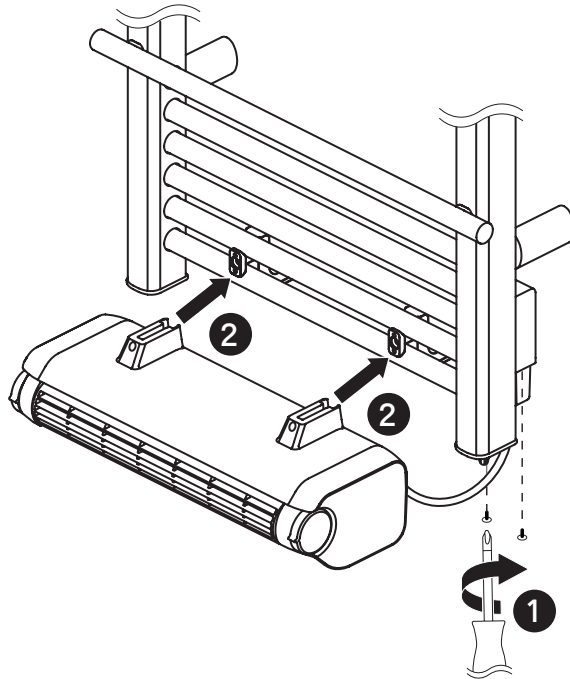


[01] x1





# 05



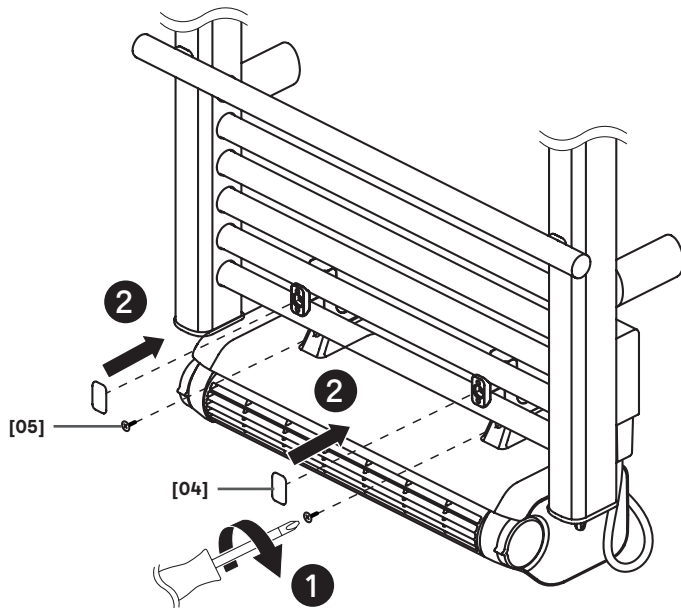
# 06



[04] x2



[05] x2





## Specifications

Unique blower and towel heater combinations							
	Loreto				Solna		
	350 W	500 W	750 W	500 W (width 800 mm)	350 W	500 W	750 W
500 W	X	X	X		X	X	X
1000 W		X	X	X		X	X

## General information

- Install and use the appliance as described in these instructions only.
- These instructions do not cover all situations which might arise. Caution and common sense should be applied when installing, operating and servicing the appliance.
- Modifying the characteristics of the appliance and removing any fixed component including the caps and/or removing the control device in any way are expressly prohibited (Fig. 1).
- The materials used for packaging can be recycled. You are therefore recommended to dispose of them in special differentiated waste collection containers.

## Positioning and installing

- The appliance must be used permanently mounted on the towel rail as described in the instructions.
- Do not install the appliance with the fan facing upwards.
- In bathrooms (with bath or shower), install the appliance outside zone 0-1. The appliance must be installed in such a way that the electronic controls and other control devices may not be touched by someone in the bath or shower. The towel warmer must not be connected with a plug.

**WARNING: Respect the distances shown in figures 2, 3. To avoid all risks for young children, install the appliance with the lowest heating element at least 60 cm from the floor. (Fig. 2).**

- Never install the appliance:
  - immediately below or in front of a power socket or a junction box (Fig. 4)
  - in contact with an adjacent wall or floor
  - near curtains, flammable or combustible materials or pressure vessels.



### Wall mounting

- During installation, make sure the power cable is disconnected from the power line.

### Electrical connection

**WARNING:** To be installed by a specialised engineer in accordance with the applicable standards in the country concerned. When the appliance is installed, make sure the power is off.

- The appliance requires a 230 V ~ 50 Hz power supply. Make sure the power line is appropriate for the data shown on the appliance's rating plate.
- Make sure the power cable cannot in any way come into contact with the surface of the appliance (Fig. 5).



## Care and Maintenance

### Cleaning

- Before cleaning, make sure the appliance is turned off, cold and disconnected from the household mains.
- To clean, just wipe with a soft damp cloth and neutral detergent. Never use abrasive or corrosive cleaning products or solvents.

### Maintenance

- Should any technical problems arise, contact a qualified professional (recognised or authorised by the dealer or manufacturer) or your local dealer.
- All operations on the appliance must be carried out by a qualified professional who before performing maintenance must make sure the appliance is turned off, cold and disconnected from the household mains.





### Maintenance and cleaning the filter


- Before cleaning or maintenance, always turn the appliance off.
- Clean the appliance with a damp cloth only, then dry with a dry cloth.
- The fan is fitted with a dust filter which retains the impurities in the air taken in from the room.
- To clean, remove the filter at the side. If the filter resists extraction, pull harder and remove it completely. Use a vacuum cleaner to remove the dust deposited on the filter.
- If it is very dirty, immerse in warm water and rinse a number of times. The temperature of the water must never exceed 40 °C.
- After washing, leave the filter to dry thoroughly. Then put it back in the fan.
- You are recommended to clean the filter at least once a month.

**WARNING:** Do not obstruct the air outlet and intake grills on the fan. This could cause the appliance to overheat.

- Clean the filter thoroughly or remove possible obstructions from the air intake or outlet grilles.



### Troubleshooting

Problem	Solutions
The appliance does not heat up.	<ul style="list-style-type: none"><li>• Check if the appliance is correctly connected to the mains power grid and powered.</li><li>• Increase the temperature set point on the appliance regulator.</li><li>•  The safety device has tripped. eliminate the cause of overheating (for example, obstructions or covering of blower).</li></ul>
The appliance heats continuously.	<ul style="list-style-type: none"><li>• Reduce the temperature set point on the appliance regulator.</li><li>• If it continues to heat, contact your local dealer or a qualified professional.</li><li>• Make sure there are no garments covering the control device or temperature sensor.</li></ul>
The room stays cold.	<ul style="list-style-type: none"><li>• Make sure the power of the appliance is adequate for the room to be heated.</li><li>• If the appliance is being used for the first time, the room takes at least a couple of hours to heat to the required temperature (setting the radiator to maximum does not raise the temperature more quickly).</li></ul>
The appliance does not resume heating after the window is closed and the "Open Window" function is active.	<ul style="list-style-type: none"><li>• It may be necessary to wait a few minutes before the sensor detects the window closing.</li><li>• Check that the area around the appliance Command is free of any obstacles.</li><li>• Deactivate and activate the function again.</li><li>• Should the response time of the function be too long, you can at any time stop the radiator manually.</li><li>• If the problem persists, contact your dealer or qualified personnel.</li></ul>
The appliance gives a smell.	<ul style="list-style-type: none"><li>• When it is used for the first time or if it has remained unused for a prolonged period of time, the appliance can release an unpleasant smell, which should disappear quickly.</li></ul>

**IMPORTANT: If the problem persists, disconnect the power supply for 15 seconds then check its operation.**



- We take special care to select high quality materials and use manufacturing techniques that allow us to create products incorporating design and durability. This product GoodHome has a manufacturer's guarantee of 2 years against manufacturing defects, from the date of purchase (if bought in store) or date of delivery (if bought online), at no additional cost for normal (non-professional or commercial) household use.
- To make a claim under this guarantee, you must present your proof of purchase (such as a sales receipt, purchase invoice or other evidence admissible under applicable law), please keep your proof of purchase in a safe place. For this guarantee to apply, the product you purchased must be new, it will not apply to second hand or display products. Unless stated otherwise by applicable law, any replacement product issued under this guarantee will only be guaranteed until expiry of the original period guarantee period.
- This guarantee covers product failures and malfunctions provided the product was used for the purpose for which it is intended and subject to installation, cleaning, care and maintenance in accordance with the information contained in these terms and conditions, in the user manual and standard practice, provided that standard practice does not conflict with the user manual.
- This guarantee does not cover defects and damage caused by normal wear and tear or damage that could be the result of improper use, faulty installation or assembly, neglect, accident, misuse, or modification of the product. Unless stated otherwise by applicable law, this guarantee will not cover, in any case, ancillary costs (shipping, movement, costs of uninstalling and reinstalling, labour etc), or direct and indirect damage.
- If the product is defective, contact directly the store where the product has been purchased. We will, within a reasonable time, replace.
- Rights under this guarantee are enforceable in the country in which you purchased this product. Guarantee related queries should be addressed to the store you purchased this product from.
- The guarantee is in addition to and does not affect your statutory rights.
- This product shall only be connected to Solna and Loreto electric towel warmers. All connection to another appliance is prohibited and will not be under the product guarantee.



### FR Avant de commencer

LA PRÉSENTE NOTICE EST IMPORTANTE POUR GARANTIR VOTRE SÉCURITÉ. LISEZ ATTENTIVEMENT LA NOTICE DANS SON INTÉGRALITÉ AVANT D'UTILISER L'APPAREIL ET CONSERVEZ-LA POUR RÉFÉRENCE ULTÉRIEURE.

**ATTENTION :** Certaines parties de ce produit peuvent devenir très chaudes et provoquer des brûlures. Il faut prêter une attention particulière en présence d'enfants et de personnes vulnérables.

- Il convient de maintenir à distance les enfants de moins de 3 ans, à moins qu'ils ne soient sous une surveillance continue. Les enfants âgés entre 3 et 8 ans doivent uniquement mettre l'appareil en marche ou à l'arrêt, à condition que ce dernier ait été placé ou installé dans une position normale prévue et que ces

enfants disposent d'une surveillance ou aient reçu des instructions quant à l'utilisation de l'appareil en toute sécurité et en comprennent bien les dangers potentiels.

- Les enfants âgés entre 3 ans et 8 ans ne doivent ni brancher, ni régler ni nettoyer l'appareil, et ni réaliser l'entretien de l'utilisateur.
- Cet appareil peut être utilisé par des enfants âgés d'au moins 8 ans et par des personnes ayant des capacités physiques, sensorielles ou mentales réduites ou dénuées d'expérience ou de connaissances, s'ils (si elles) sont correctement surveillé(e)s ou si des instructions relatives à l'utilisation de l'appareil en toute sécurité leur ont été données et si les risques encourus ont été appréhendés. Les enfants ne doivent pas jouer avec l'appareil. Le nettoyage et



- l'entretien par l'utilisateur ne doivent pas être effectués par des enfants sans surveillance.
- Ne jamais installer l'appareil :
    - Juste en dessous ou devant une prise d'alimentation ou une boîte de dérivation
    - Près de rideaux, de matières inflammables ou combustibles ou de récipients sous pression.
  - Si le cordon d'alimentation est endommagé, il doit être remplacé par le fabricant, son prestataire de service ou une personne qualifiée afin d'éviter tout accident. Ne jamais utiliser l'appareil si les commandes électroniques sont endommagées.
  - S'assurer que la ligne électrique fixe est équipée d'un interrupteur d'isolement permettant de débrancher complètement l'appareil de l'alimentation électrique du foyer, y compris le fil pilote, le cas échéant, conformément aux règles de câblage.
- AVERTISSEMENT :** Respecter les distances indiquées sur les figures 2 et 3. Afin d'éviter tout danger pour les très jeunes enfants, nous vous recommandons d'installer cet appareil de manière à ce que le barreau chauffant le plus bas soit à au moins 60 cm au-dessus du sol. (Fig. 2).
- Installer et utiliser l'appareil comme indiqué dans ces instructions uniquement.



**AVERTISSEMENT :** ne pas obstruer les grilles d'entrée et de sortie d'air du radiateur soufflant. Cela risque d'entraîner la surchauffe de l'appareil.

- Cet appareil est conçu pour chauffer les pièces d'un foyer et autres pièces similaires ainsi que pour sécher les serviettes. Certaines parties de ce produit peuvent devenir très chaudes et provoquer des brûlures. Il faut prêter une attention particulière en présence d'enfants et de personnes vulnérables.
- Tenir les matières inflammables ou combustibles ou les récipients sous pression (p. ex., les aérosols, extincteurs) à au moins 50 cm de l'appareil. Ne pas vaporiser tout type de substance à la surface de l'appareil.
- Ne jamais toucher l'appareil avec les mains ou les pieds humides ou mouillés. Ne pas mouiller le bloc de commande électronique avec de l'eau ou d'autres liquides. Si cela se produit, débrancher l'appareil de l'alimentation secteur et le laisser sécher complètement.
- Lorsque l'appareil est installé à haute altitude, l'air est plus chaud que la température de consigne.
- Par temps froid, le radiateur peut produire des bruits métalliques lorsqu'il est allumé. Ces derniers sont dus à la dilatation des matériaux.

Tension : 230 V~ 50 Hz



Conformité avec toutes les exigences applicables de la Directive CE.



Les produits électriques usagés ne doivent pas être mis au rebut avec les déchets ménagers. Recycler le produit si des installations sont prévues à cet effet. Se renseigner auprès des autorités locales ou du magasin pour connaître les conseils de recyclage.



Produit de classe II - Double isolation - Pas de mise à la terre requise.



Attention, surface chaude

**IP24**

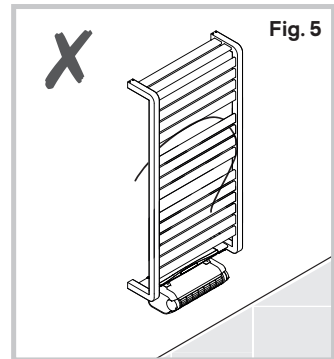
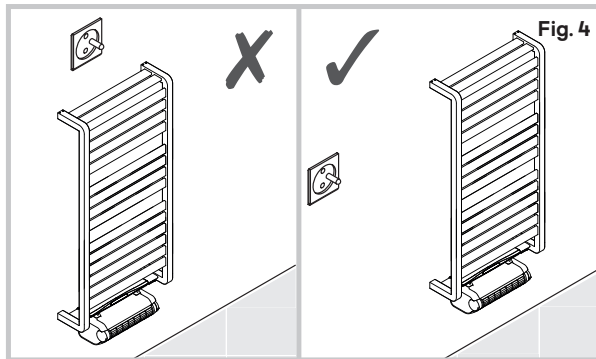
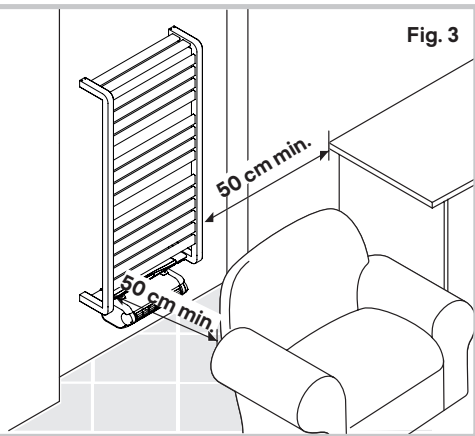
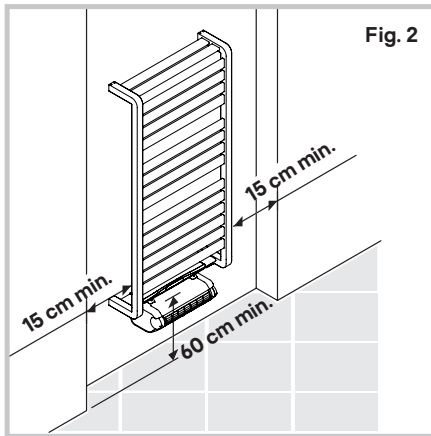
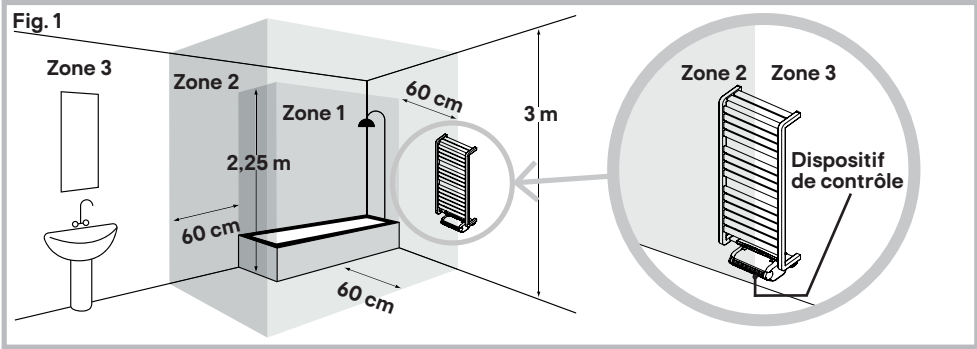
Protection contre la pluie

yyWxx

Code de date de fabrication : année de fabrication (20yy) et semaine de fabrication (Wxx).

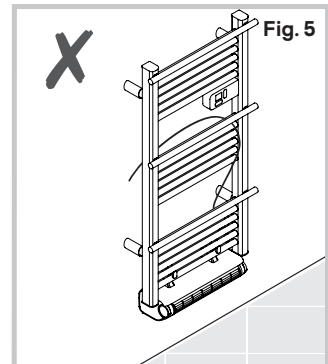
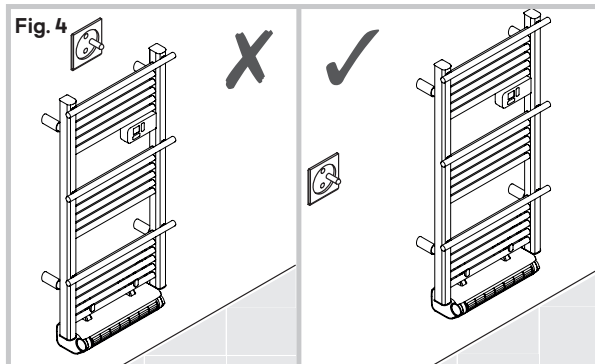
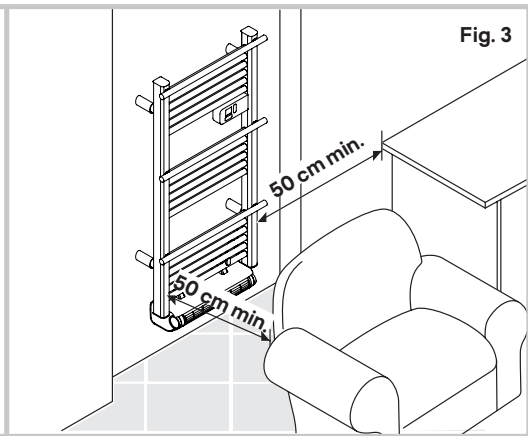
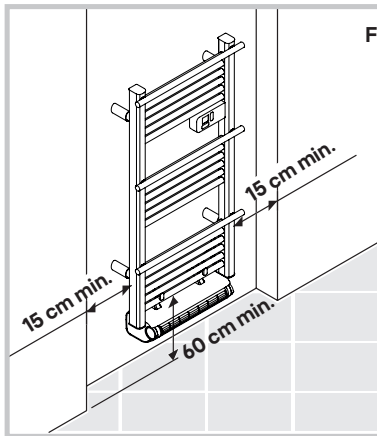
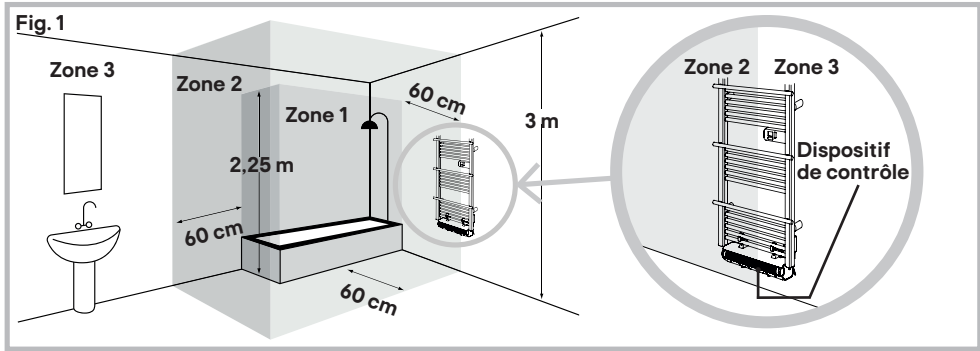


Loreto





Solna

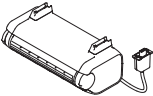




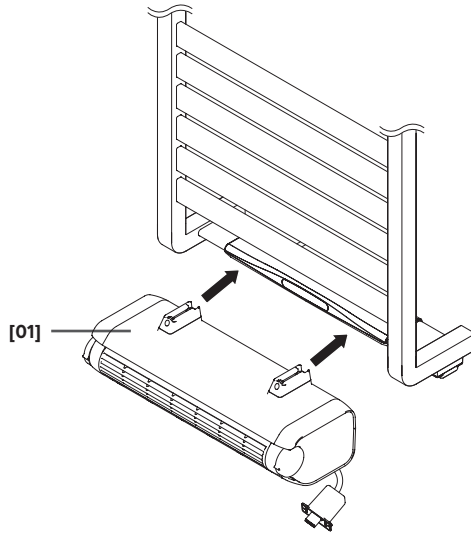


Loreto

# 01



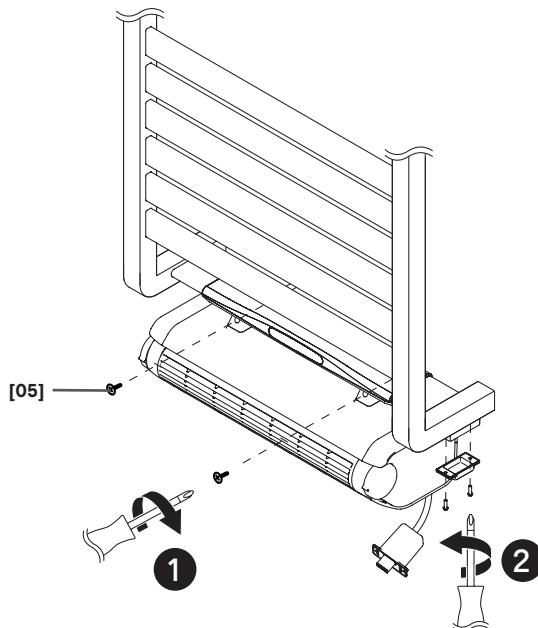
[01] x1



# 02

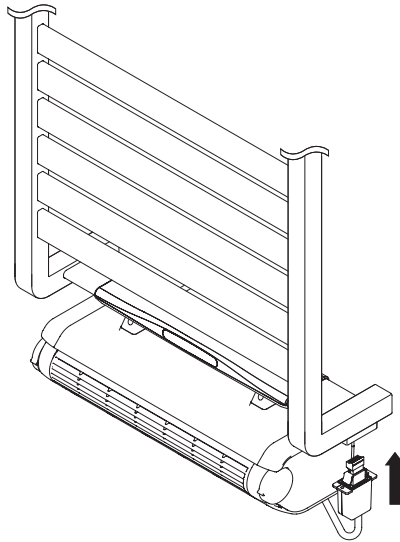


[05] x2

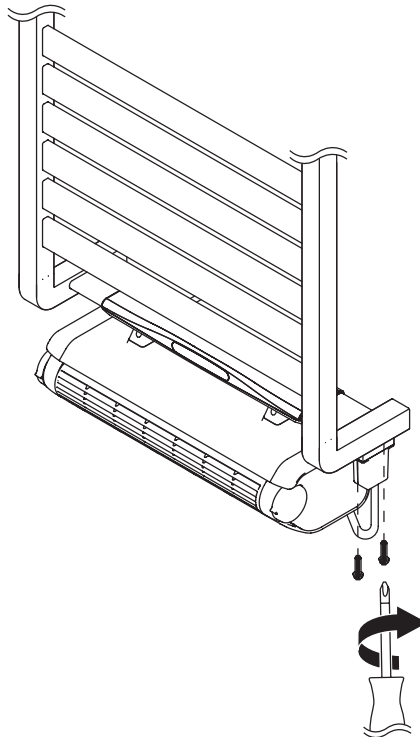




# 03



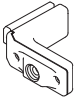
# 04



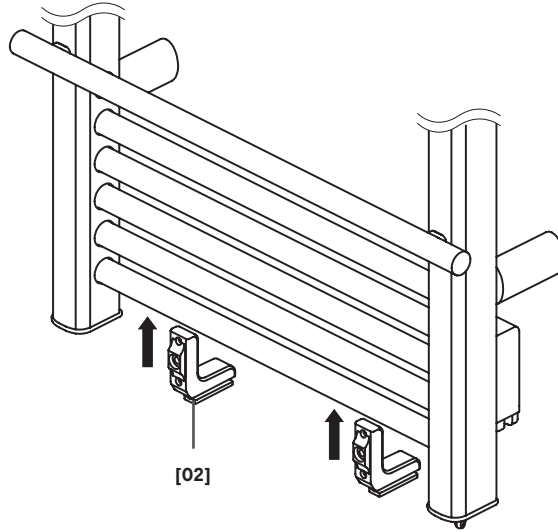


Solna

# 01



[02] x2



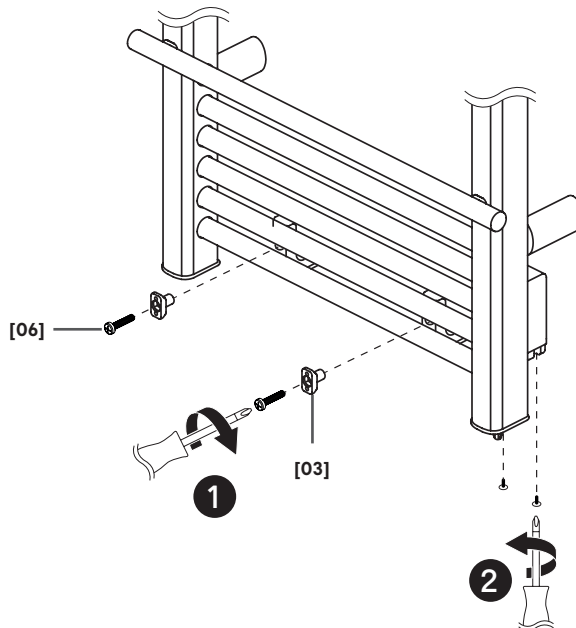
# 02



[03] x2

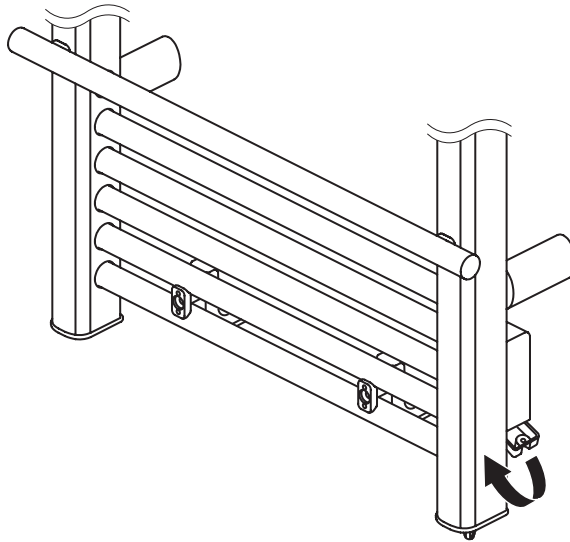


[06] x2

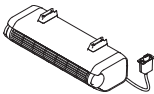




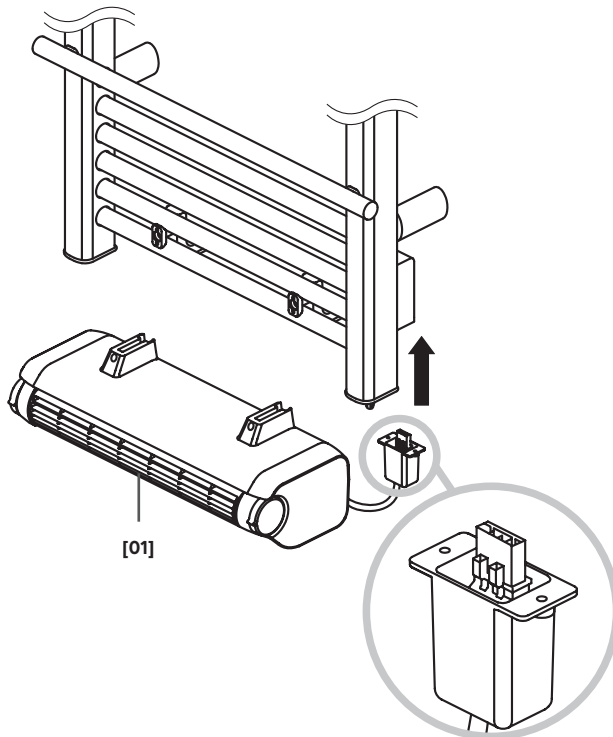
# 03



# 04

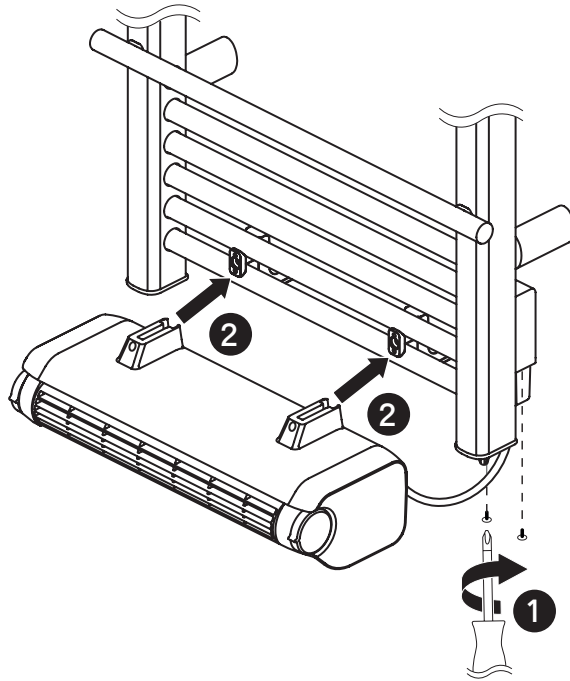


[01] x1





# 05



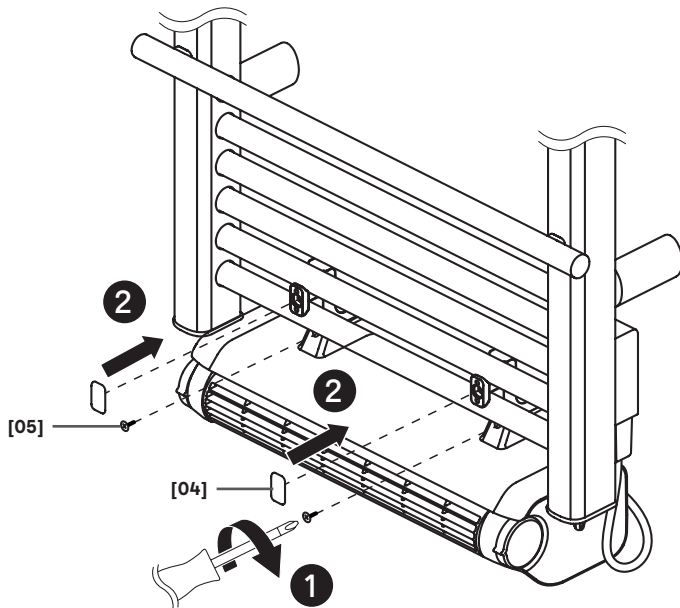
# 06



[04] x2



[05] x2





## Caractéristiques techniques

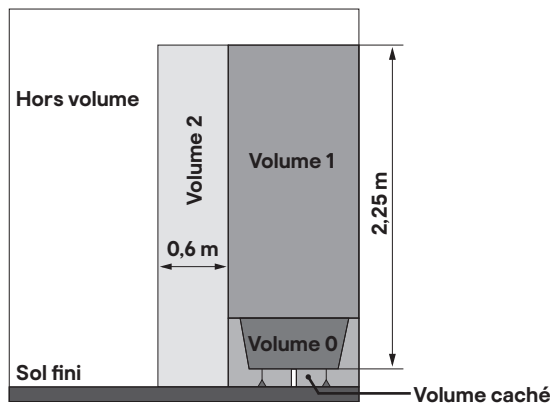
Des combinaisons soufflerie/sèche-serviettes uniques							
	Loreto				Solna		
	350 W	500 W	750 W	500 W (largeur 800 mm)	350 W	500 W	750 W
500 W	X	X	X		X	X	X
1000 W		X	X	X		X	X

## Informations générales

- Installer et utiliser l'appareil comme indiqué dans ces instructions uniquement.
- Ces instructions n'englobent pas toutes les situations qui pourraient se présenter. Il convient de faire preuve de prudence et de bon sens lors de l'installation, de l'utilisation et de l'entretien de l'appareil.
- Il est expressément interdit d'altérer les caractéristiques de l'appareil et de retirer tout composant fixe, y compris les capuchons, et/ou de retirer le dispositif de commande d'une quelconque manière (Fig. 1).
- Les matériaux utilisés pour l'emballage peuvent être recyclés. Il est donc recommandé de les mettre au rebut dans les conteneurs de collecte sélective des déchets spéciaux.

## Positionnement et installation

- L'appareil doit être utilisé monté de manière permanente sur le sèche-serviettes, comme indiqué dans les instructions.
- Ne pas installer l'appareil avec le ventilateur orienté vers le haut.
- Dans les salles de bains (avec baignoire ou douche), installer l'appareil à l'extérieur des zones 0 et 1. L'appareil doit être installé de manière à ce que les commandes électroniques et autres dispositifs de commande ne puissent pas être touchés par une personne se trouvant dans la baignoire ou la douche. Le sèche-serviettes ne doit pas être branché à l'aide d'une prise.



**AVERTISSEMENT:** ce schéma est donnée uniquement à titre d'exemple. Si la configuration présentée sur le schéma ne correspond pas à celle de votre salle de bain, nous vous suggérons fortement de contacter un électricien professionnel pour réaliser l'installation adéquate selon la norme NF C 15-100."



**AVERTISSEMENT : Respecter les distances indiquées sur les figures 2 et 3. Afin d'éviter tout danger pour les très jeunes enfants, nous vous recommandons d'installer cet appareil de manière à ce que le barreau chauffant le plus bas soit à au moins 60 cm au-dessus du sol. (Fig. 2).**

- Ne jamais installer l'appareil :
  - directement en dessous de ou devant une prise de courant ou une boîte de dérivation (Fig. 4)
  - en contact avec un mur adjacent ou avec le sol
  - à proximité de rideaux, de matières inflammables ou combustibles ou de récipients sous pression.

### Montage mural

- Au cours de l'installation, s'assurer que le câble d'alimentation est débranché de la ligne d'alimentation

### Raccordement électrique

**AVERTISSEMENT : A INSTALLER PAR UN TECHNICIEN SPÉCIALISÉ CONFORMÉMENT AUX NORMES APPLICABLES DANS LE PAYS CONCERNÉ (NFC 15-100 POUR LA FRANCE). UNE FOIS L'APPAREIL INSTALLÉ, S'ASSURER QUE L'ALIMENTATION EST COUPÉE.**

- L'appareil nécessite une alimentation de 230 V ~ 50 Hz. S'assurer que la ligne électrique est conforme aux données affichées sur la plaque signalétique de l'appareil.
- S'assurer que le câble d'alimentation ne peut en aucun cas entrer en contact avec la surface de l'appareil (Fig. 5).



## Entretien et maintenance

### Nettoyage

- Avant tout nettoyage, s'assurer que l'appareil est éteint, froid et débranché de l'alimentation électrique du foyer.
- Pour nettoyer, essuyer simplement l'appareil avec un chiffon doux humide et un détergent neutre. Ne jamais utiliser de solvants ou produits nettoyants abrasifs ou corrosifs.

### Maintenance

- En cas de problème technique, contacter un professionnel qualifié (reconnu ou autorisé par le revendeur ou le fabricant) ou le revendeur local.



- Toutes les manipulations sur l'appareil doivent être effectuées par un professionnel qualifié qui, avant d'effectuer des opérations de maintenance, doit s'assurer que l'appareil est éteint, froid et débranché de l'alimentation électrique du foyer.

### Entretien et nettoyage du filtre

- Avant toute opération de nettoyage ou d'entretien, toujours mettre l'appareil hors tension.
- Nettoyer l'appareil avec un chiffon humide uniquement, puis le sécher à l'aide d'un chiffon sec.
- Le ventilateur est équipé d'un filtre anti-poussière qui retient les impuretés de l'air aspiré dans la pièce.
- Pour procéder au nettoyage, retirer le filtre sur le côté. Si le filtre résiste à l'extraction, tirer plus fort et le retirer complètement. Utiliser un aspirateur pour éliminer la poussière déposée sur le filtre.
- Si le filtre est très sale, le plonger dans l'eau chaude et le rincer à plusieurs reprises. La température de l'eau ne doit jamais dépasser 40 °C.
- Une fois le nettoyage terminé, laisser le filtre sécher complètement. Ensuite, le remettre en place dans le ventilateur.
- Nous recommandons de nettoyer le filtre au moins une fois par mois.


**AVERTISSEMENT** : ne pas obstruer les grilles d'entrée et de sortie d'air du ventilateur. Cela risque d'entraîner la surchauffe de l'appareil.

- Nettoyer soigneusement le filtre ou éliminer toute obstruction éventuelle des grilles d'entrée et de sortie d'air.





### Dépannage

Problème	Solutions
L'appareil ne chauffe pas.	<ul style="list-style-type: none"><li>• Vérifier que l'appareil est correctement branché sur le réseau électrique et est alimenté.</li><li>• Augmenter le réglage de la température de consigne sur le thermostat de l'appareil.</li><li>•  Le dispositif de sécurité s'est déclenché. Éliminer la cause de la surchauffe (par exemple, éliminer les obstructions ou retirer tout objet recouvrant la soufflerie).</li></ul>
L'appareil chauffe en permanence.	<ul style="list-style-type: none"><li>• Diminuer le réglage de la température de consigne sur le thermostat de l'appareil.</li><li>• Si l'appareil continue de chauffer, contacter le revendeur local ou un professionnel qualifié.</li><li>• S'assurer qu'aucun vêtement ne recouvre le dispositif de commande ou le capteur de température.</li></ul>
La pièce reste froide.	<ul style="list-style-type: none"><li>• S'assurer que la puissance de l'appareil est adaptée par rapport à la pièce à chauffer.</li><li>• Si l'appareil est utilisé pour la première fois, il lui faut au moins deux heures pour chauffer la pièce à la température souhaitée (régler le radiateur sur la température maximale ne permet pas de chauffer plus rapidement).</li></ul>
L'appareil ne recommence pas à chauffer après la fermeture de la fenêtre alors que la fonction « Fenêtre ouverte » est activée.	<ul style="list-style-type: none"><li>• Il peut être nécessaire d'attendre quelques minutes avant que le capteur détecte la fermeture de la fenêtre.</li><li>• Vérifier que rien n'obstrue la zone autour du bloc de commande de l'appareil.</li><li>• Désactiver et activer de nouveau la fonction.</li><li>• Si le temps de réponse de la fonction est trop long, il est possible d'arrêter le radiateur manuellement à tout moment.</li><li>• Si le problème persiste, contacter le revendeur ou un technicien qualifié.</li></ul>
L'appareil dégage une odeur.	<ul style="list-style-type: none"><li>• Lors de la première utilisation ou après une période prolongée d'inutilisation, il se peut que l'appareil dégage une odeur désagréable, qui devrait disparaître rapidement.</li></ul>

**IMPORTANT : Si le problème persiste, débranchez l'alimentation pendant 15 secondes, puis vérifiez son bon fonctionnement.**



- Nous veillons tout particulièrement à sélectionner des matériaux de haute qualité et à utiliser des techniques de fabrication qui nous permettent de créer des produits à la fois design et durables. Notre produit GoodHome bénéficie d'une garantie fabricant de 2 ans couvrant les défauts de fabrication à compter de la date d'achat (en cas d'achat en magasin) ou de la date de livraison (en cas d'achat sur Internet), sans coût supplémentaire pour une utilisation domestique normale (non commerciale ni professionnelle).
- Pour déposer une réclamation au titre de cette garantie, vous devez présenter votre preuve d'achat (ticket de caisse, facture d'achat ou toute autre preuve recevable en vertu de la loi en vigueur). Conservez votre preuve d'achat dans un endroit sûr. Pour que cette garantie soit applicable, le produit que vous avez acheté doit être neuf. La garantie ne s'applique pas aux produits d'occasion ou aux modèles d'exposition. Sauf indication contraire prévue par la loi en vigueur, tout produit de remplacement fourni au titre de la présente garantie ne sera garanti que jusqu'à expiration de la période de garantie initiale.
- Cette garantie couvre les défaillances et dysfonctionnements du produit, sous réserve que le produit ait été utilisé conformément à l'usage pour lequel il a été conçu, qu'il ait été installé, nettoyé et entretenu conformément aux informations contenues dans les présentes conditions générales ainsi que dans le manuel d'utilisation, et conformément à la pratique, sous réserve que celles-ci n'aient pas à l'encontre du manuel d'utilisation.
- Cette garantie ne couvre pas les défauts et dommages causés par l'usure normale ni les dommages pouvant résulter d'une utilisation non conforme, d'une installation ou d'un assemblage défectueux, ou d'une négligence, d'un accident, d'une mauvaise utilisation ou d'une modification du produit. Sauf indication contraire prévue par la loi en vigueur, cette garantie ne couvre en aucun cas les coûts accessoires (expédition, transport, frais de désinstallation et réinstallation, main d'œuvre, etc.), ni les dommages directs et indirects.
- Si le produit est défectueux, nous nous engageons, dans un délai raisonnable, à le remplacer.
- Cette garantie est valable dans le pays où vous avez acheté ce produit. Toute demande au titre de la garantie doit être adressée au magasin où vous avez acheté ce produit.
- Cette garantie s'ajoute à vos droits au titre de la loi, sans les affecter.
- Ce produit doit uniquement être connecté à des sèche-serviettes électriques Solna et Loreto. Toute connexion à un autre appareil est interdite et ne sera pas couverte par la garantie du produit.
- Si vous avez acheté ce produit en France, en plus de cette garantie commerciale, le vendeur reste tenu de respecter la garantie légale de conformité prévue par les articles L217-4 à L217-14 du Code de la consommation et aux articles qui concernent les vices cachés de la chose vendue dans les conditions prévues aux articles 1641 à 1648 et 2232 du Code civil. Le distributeur auprès duquel vous avez acheté ce produit répond de tout défaut de conformité ou vice caché du produit, conformément aux présentes dispositions.
- En vertu de l'article L217-16 du Code de la consommation, lorsque l'acheteur demande au vendeur, pendant la durée de la garantie commerciale qui lui a été consentie lors de l'acquisition ou de la réparation d'un bien meuble, une remise en état couverte par la garantie, toute période d'immobilisation d'au moins sept jours vient s'ajouter à la durée de la garantie qui reste à courir. Cette période court à compter de la demande d'intervention de l'acheteur ou de la mise à disposition pour réparation du bien en cause, si cette mise à disposition est postérieure à la demande d'intervention. Garantie légale de conformité (extrait du Code de la consommation) : Article L217-4 du Code de la consommation - Le vendeur doit livrer un bien conforme au contrat et répond des défauts de conformité existant lors de la livraison. Il répond également des défauts de conformité résultant de l'emballage, des instructions de montage ou de l'installation lorsque celle-ci a été mise à sa charge par le contrat ou a été réalisée sous sa responsabilité. Article L217-5 du Code de la consommation - Le bien est conforme au contrat : 1. S'il est adapté à l'objectif généralement prévu pour des biens similaires et, le cas échéant : s'il correspond à la description donnée par le vendeur et possède les qualités présentées par le vendeur à l'acheteur sous forme d'échantillon ou de modèle ; s'il présente des qualités que l'acheteur peut légitimement attendre au regard des déclarations publiques faites par le vendeur, par le fabricant ou par son représentant, notamment dans la publicité ou l'étiquetage ; 2. Ou s'il présente les caractéristiques définies d'un commun accord par les parties ou est propre à tout usage spécial recherché par l'acheteur, porté à la connaissance du vendeur et que ce dernier a accepté. Article L217-12 du Code de la consommation - Toute réclamation suite à un défaut de conformité est limitée à deux ans à compter de la livraison du bien. Garantie légale sur les vices cachés (extrait du Code de la consommation) : Article 1641 du Code civil - Le vendeur est tenu de la garantie en cas de défauts cachés de la chose vendue qui la rendent impropre à l'usage auquel on la destine, ou qui diminuent tellement cet usage que l'acheteur ne l'aurait pas acquise, ou n'en aurait donné qu'un moindre prix, s'il les avait connus. Article 1648 du Code civil (alinéa 1) - Toute réclamation résultant de vices cachés doit être faite par l'acheteur dans un délai de deux ans à compter de la découverte du vice.
- Ce produit ne peut être utilisé que sur les sèche-serviettes Solna et Loreto. Toute autre utilisation sur un autre appareil est interdite et ne sera pas prise en charge par la garantie du produit.



### PL Przed rozpoczęciem pracy

**NINIEJSZA INSTRUKCJA OBSŁUGI JEST WAŻNA DLA ZAPEWNIENIA BEZPIECZEŃSTWA. PRZED PRZYSTĄPIENIEM DO UŻYTKOWANIA URZĄDZENIA NALEŻY DOKŁADNIE PRZECZYTAĆ CAŁĄ INSTRUKCJĘ OBSŁUGI I ZACHOWAĆ JĄ DO WGLĄDU W PRZYSZŁOŚCI.**

**UWAGA:** Niektóre części urządzenia mogą stać się bardzo gorące i spowodować poparzenia. Należy zachować szczególną ostrożność w przypadku obecności dzieci i innych narażonych osób.

- Dzieci w wieku poniżej 3 lat mogą znajdować się w pobliżu urządzenia wyłącznie pod stałym nadzorem. Dzieci w wieku od 3 do 8 lat mogą tylko włączać i wyłączać urządzenie, pod warunkiem że jest ono ustawione lub zamontowane w

odpowiednim położeniu roboczym, a dzieci zostały poinstruowane na temat jego bezpiecznego używania i rozumieją zagrożenia z tym związane.

- Dzieci w wieku od 3 do 8 lat nie mogą odłączać urządzenia od zasilania, regulować go, czyścić, ani wykonywać czynności konserwacyjnych.
- Urządzenie może być użytkowane przez dzieci od lat 8 i osoby o ograniczeniach fizycznych, czuciowych lub psychicznych, a także osoby, którym brak jest doświadczenia lub wiedzy, pod warunkiem zapewnienia odpowiedniego nadzoru lub pouczenia na temat bezpiecznej obsługi i dopilnowania zrozumienia zagrożeń. Dzieci nie powinny bawić się urządzeniem. Prace związane z czyszczeniem i konserwacją nie powinny być wykonywane przez



dzieci bez odpowiedniego nadzoru.

- Nie należy montować urządzenia:
  - bezpośrednio pod lub przed gniazdem zasilania lub skrzynką połączeniową;
  - w pobliżu zastłon, materiałów łatwopalnych i wybuchowych lub zbiorników ciśnieniowych.

**OSTRZEŻENIE:** Należy przestrzegać odległości przedstawionych na rysunkach 2 i 3. Aby uniknąć wszelkich zagrożeń dla małych dzieci, należy zamontować urządzenie tak, aby najniższy element grzejny znalazł się na wysokości co najmniej 60 cm od podłogi. (Rys. 2)

- Urządzenie należy zamontować i użytkować zgodnie z opisem zawartym w niniejszej instrukcji.
- Jeśli dojdzie do uszkodzenia przewodu

zasilania, z powodów bezpieczeństwa powinien on zostać wymieniony przez producenta, przedstawiciela serwisowego lub inną osobę o odpowiednich kwalifikacjach. Nie wolno używać urządzenia, jeśli elektroniczne elementy sterujące są uszkodzone.

- Należy się upewnić, że stała linia zasilająca jest wyposażona w odłącznik umożliwiający całkowite odłączenie instalacji domowej, w tym przewodu sterowniczego, jeśli jest zamontowany, zgodnie z zasadami dotyczącymi konstrukcji instalacji elektrycznej.



**OSTRZEŻENIE:** Nie należy zasłaniać kratki wlotu i wylotu powietrza termowentylatora. Może to spowodować przegrzanie urządzenia.

- Urządzenie jest przeznaczone do ogrzewania pomieszczeń mieszkalnych lub im podobnych oraz do suszenia ręczników. Niektóre części urządzenia mogą stać się bardzo gorące i spowodować poparzenia. Należy zachować szczególną ostrożność w przypadku obecności dzieci i innych narażonych osób.
- Materiały łatwopalne i wybuchowe lub zbiorniki ciśnieniowe (np. puszki sprayu lub gaśnice) należy trzymać w odległości co najmniej 50 cm od urządzenia. Nie używać powierzchni urządzenia do odparowywania jakichkolwiek substancji
- Nie dotykać urządzenia mokrymi ani wilgotnymi dłońmi lub stopami. Nie moczyć elektronicznej jednostki sterującej wodą ani innymi cieczami. Jeśli do tego dojdzie, należy odłączyć urządzenie od zasilania sieciowego i poczekać na jego całkowite wyschnięcie.
- Jeśli urządzenie jest zainstalowane na dużej wysokości, temperatura powietrza będzie wyższa od ustawionej.
- Przy niskich temperaturach grzejnik może po włączeniu emitować metaliczne dźwięki. Powodem jest rozszerzanie się materiałów.

Napięcie: 230 V~ 50 Hz



Zgodność ze wszystkimi właściwymi wymogami dyrektywy WE.



Zużytych produktów elektrycznych nie należy wyrzucać z odpadami komunalnymi. Należy je przekazać do utylizacji w przeznaczonych do tego miejscach. Informacje dotyczące recyklingu można uzyskać u władz lokalnych lub w punkcie sprzedaży.



Produkt II klasy ochronności – podwójna izolacja – nie wymaga podłączenia do uziemienia.



Uwaga: gorąca powierzchnia

**IP24**

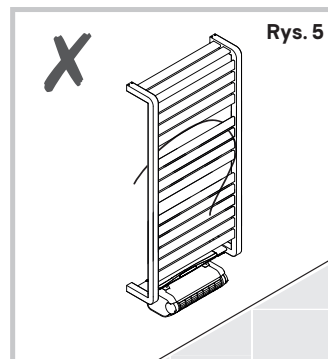
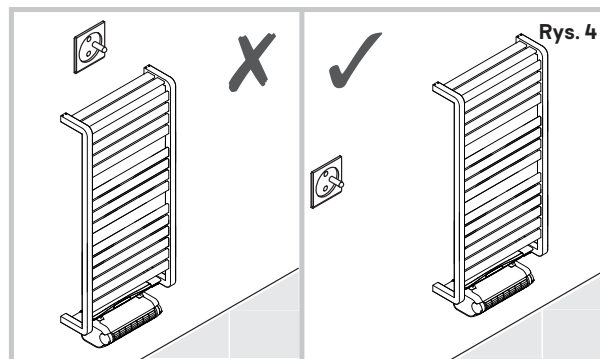
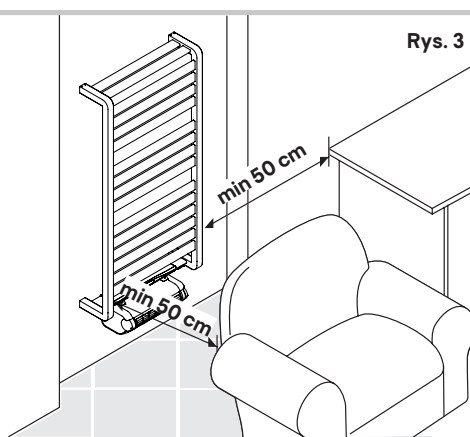
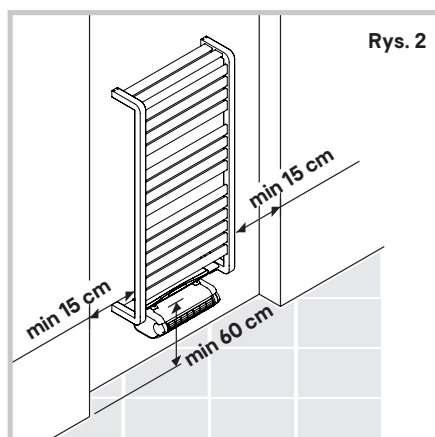
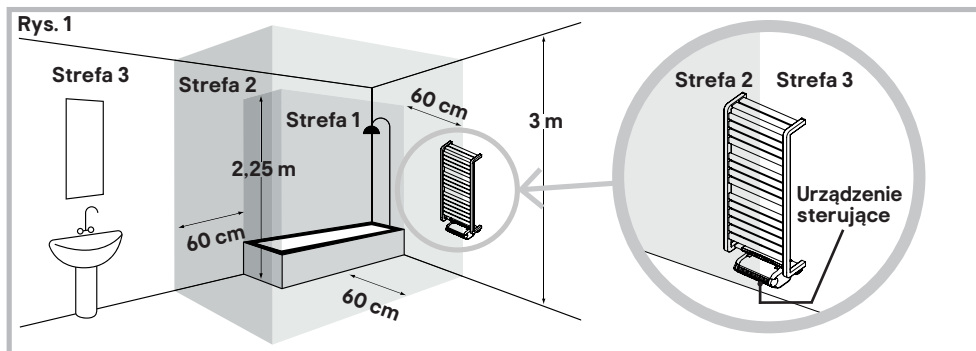
Odporność na deszcz

yyWxx

Kod daty produkcji: rok (20yy) oraz tydzień (Wxx) produkcji.

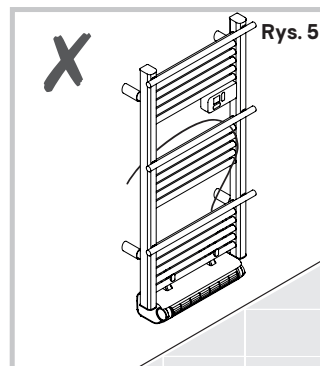
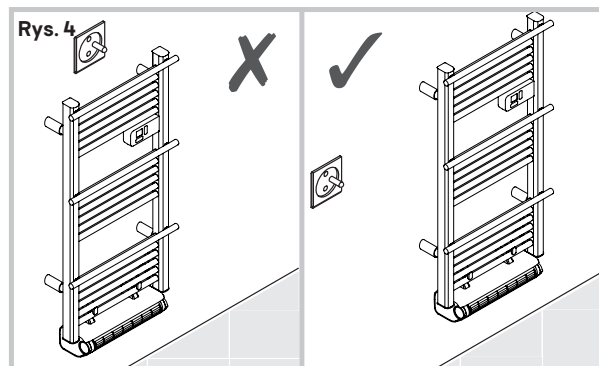
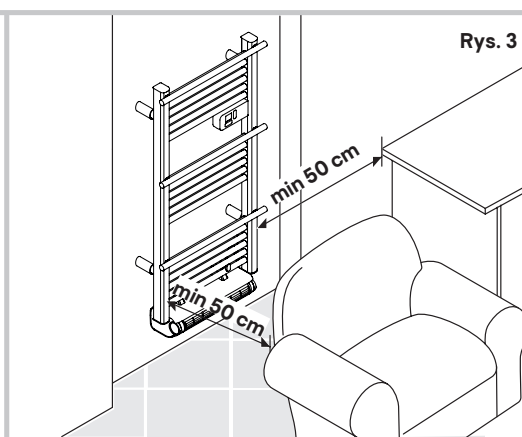
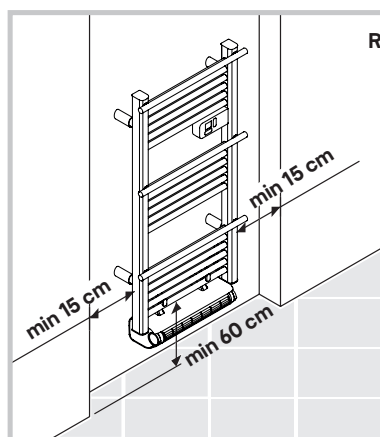
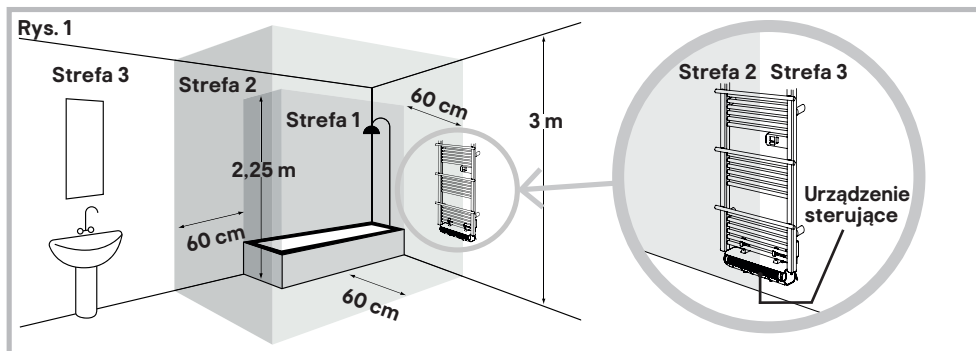


**Loreto**





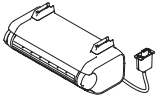
**Solna**



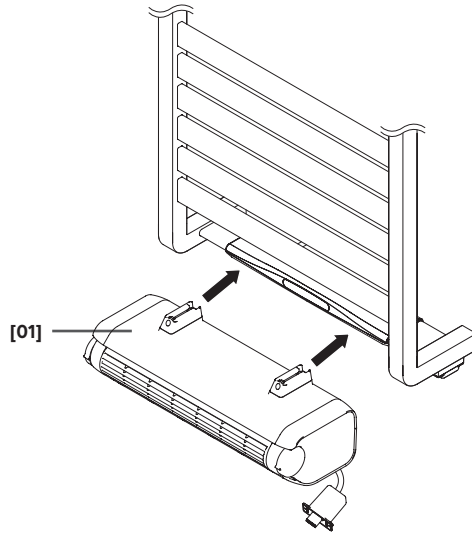


Loreto

# 01



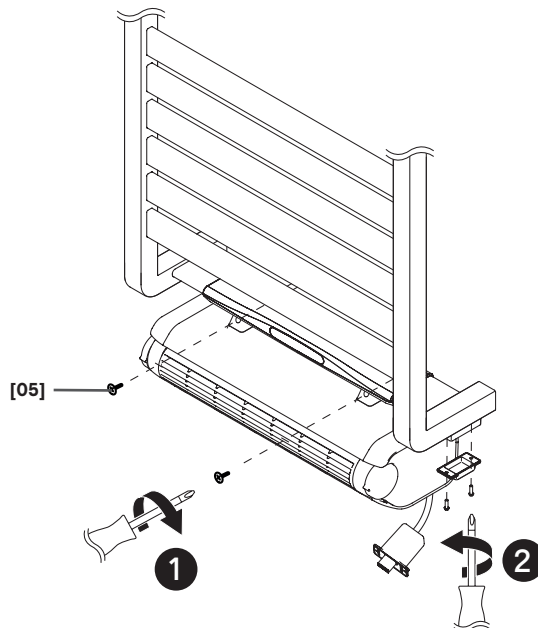
[01] x1



# 02



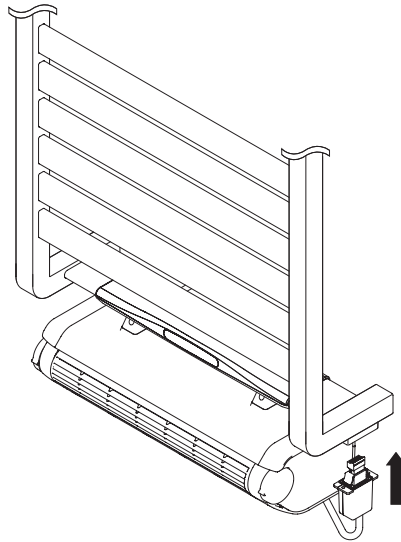
[05] x2



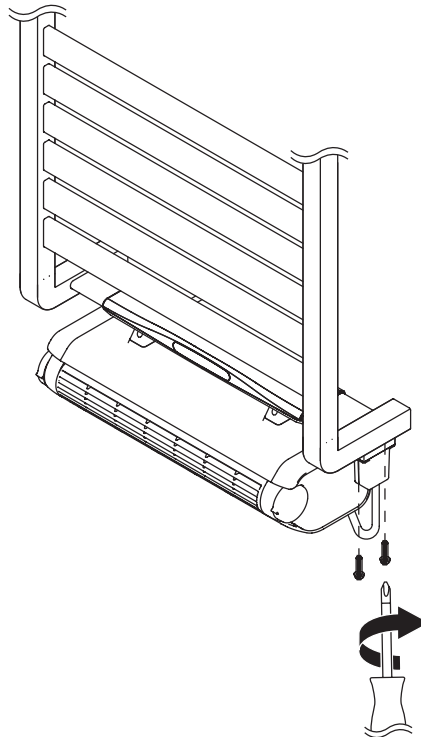




# 03



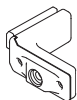
# 04



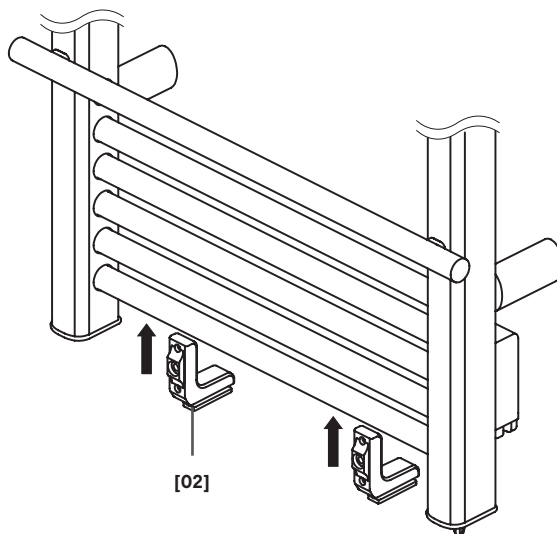


Solna

# 01



[02] x2



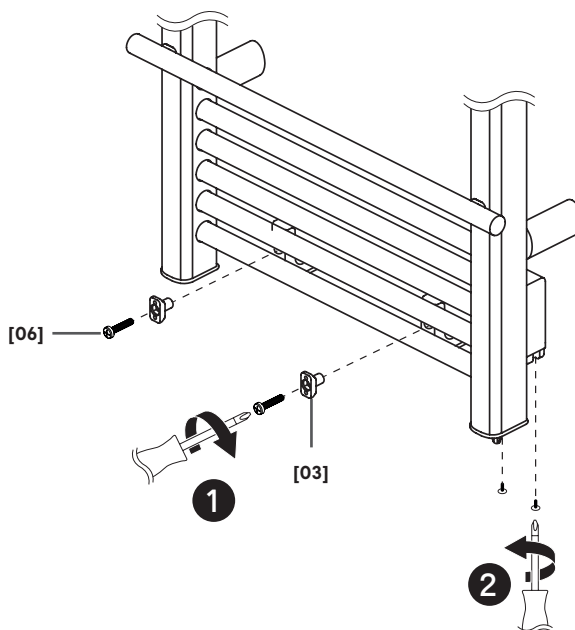
# 02



[03] x2

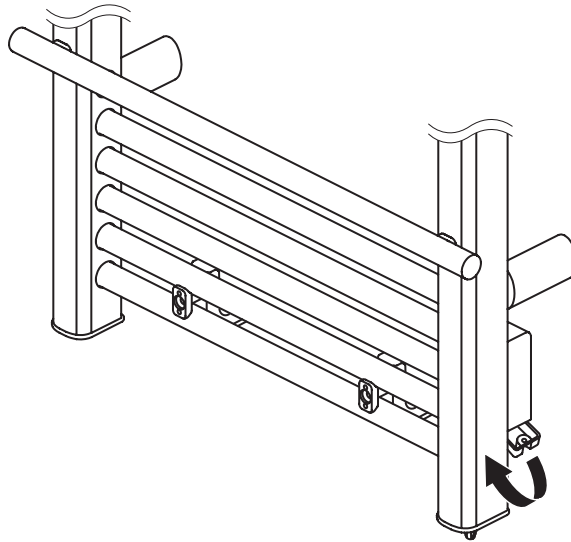


[06] x2

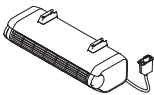




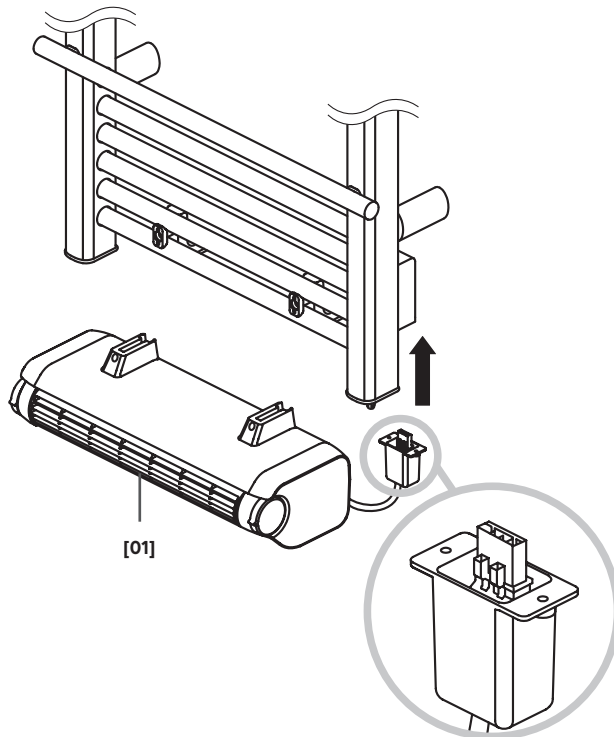
# 03



# 04

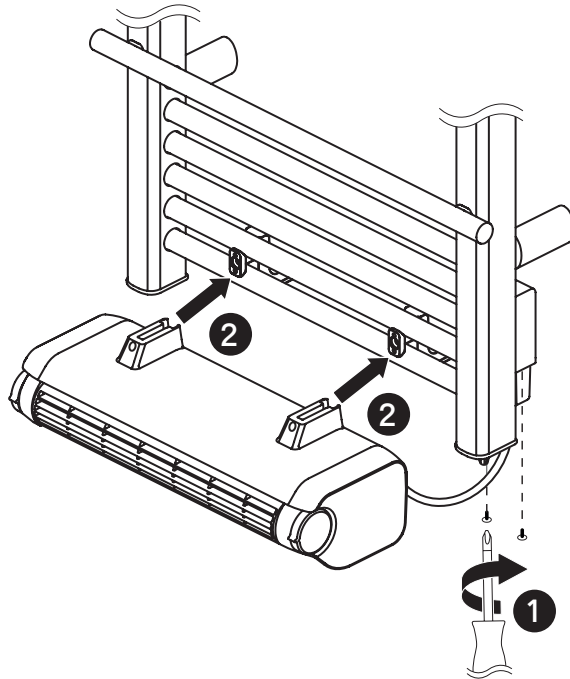


[01] x1





# 05



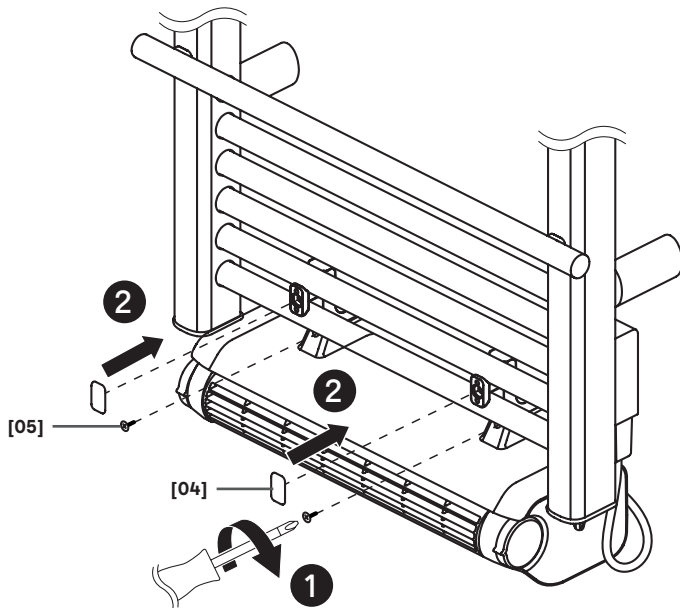
# 06



[04] x2



[05] x2





## Specyfikacje

Wyjątkowe połączenie dmuchawy i grzejnika łazienkowego							
	Loreto				Solna		
	350 W	500 W	750 W	500 W (szerokość 80 cm)	350 W	500 W	750 W
500 W	X	X	X		X	X	X
1000 W		X	X	X		X	X

## Informacje ogólne

- Urządzenie należy zamontować i użytkować zgodnie z opisem zawartym w niniejszej instrukcji.
- Niniejsze instrukcje nie obejmują wszystkich sytuacji, jakie mogą się zdarzyć. Podczas instalacji, eksploatacji i serwisowania urządzenia należy zachować ostrożność i zdrowy rozsądek.
- Wyraźnie zabrania się modyfikowania charakterystyki urządzenia i demontażu jakichkolwiek stałych elementów, w tym nakrętek, oraz usuwania urządzenia sterującego (Rys. 1).
- Materiały użyte do opakowania mogą być poddane recyklingowi. Zaleca się umieszczenie ich w specjalnych pojemnikach na odpady segregowane.

## Ustawianie i montaż

- Urządzenie musi być na stałe zamontowane na drążku na ręczniki w sposób zgodny z instrukcją.
- Nie wolno montować urządzenia z wentylatorem skierowanym w górę.
- W łazienkach (z wanną lub prysznicem) urządzenie należy montować poza strefą 0-1. Urządzenie musi zostać zamontowane tak, by osoba znajdującą się w kąpeli lub pod prysznicem nie mogła dotknąć elektronicznych ani innych elementów sterujących. Grzejnika łazienkowego nie wolno podłączać za pomocą wtyczki.

**OSTRZEŻENIE:** Należy przestrzegać odległości przedstawionych na rysunkach 2 i 3. Aby uniknąć wszelkich zagrożeń dla bezpieczeństwa małych dzieci, należy zamontować urządzenie tak, aby najniższy element grzejny znalazł się na wysokości co najmniej 60 cm od podłogi. (Rys. 2)

- Nie należy montować urządzenia:
  - bezpośrednio pod lub przed gniazdem zasilania lub skrzynką połączeniową (Rys. 4),
  - w bezpośrednim kontakcie ze ścianą lub podłogą,
  - w pobliżu zasłon, materiałów łatwopalnych i wybuchowych lub zbiorników ciśnieniowych.



### Montaż ścienny

- Podczas instalacji należy się upewnić, że przewód zasilania jest odłączony od linii zasilającej.

### Połączenie elektryczne

**OSTRZEŻENIE:** Montaż powinien być przeprowadzony przez wyspecjalizowanego inżyniera zgodnie z normami obowiązującymi w danym kraju. Po zamontowaniu urządzenia należy się upewnić, że zasilanie jest wyłączone.

- Urządzenie wymaga zasilania 230 V ~ 50 Hz. Należy się upewnić, że linia zasilająca odpowiada danym przedstawionym na tabliczce znamionowej urządzenia.
- Należy się upewnić, że przewód zasilania nie dotyka powierzchni urządzenia (Rys. 5).



## Czyszczenie i konserwacja

### Czyszczenie

- Przed rozpoczęciem czyszczenia należy się upewnić, że urządzenie jest wyłączone, zimne i odłączone od domowej instalacji elektrycznej.
- Aby wyczyścić urządzenie, wystarczy przetrzeć je miękką wilgotną szmatką z neutralnym detergentem. Nie wolno używać ściernych ani żrących środków czyszczących lub rozpuszczalników.

### Konserwacja

- W przypadku wystąpienia jakichkolwiek problemów technicznych należy skontaktować się z wykwalifikowanym specjalistą (uznanym lub autoryzowanym przez sprzedawcę lub producenta) lub lokalnym sprzedawcą.



- Wszystkie czynności związane z urządzeniem muszą być przeprowadzone przez wykwalifikowanego specjalistę, który przed przystąpieniem do konserwacji powinien upewnić się, że urządzenie jest wyłączone, zimne i odłączone od domowej instalacji elektrycznej.

### Konserwacja i czyszczenie filtra


- Przed przystąpieniem do czyszczenia lub konserwacji należy wyłączyć urządzenie.
- Urządzenie należy czyścić wyłącznie wilgotną szmatką, a następnie osuszyć suchą szmatką.
- Wentylator jest wyposażony w filtr kurzu, który zatrzymuje zanieczyszczenia powietrza znajdujące się w pomieszczeniu.
- Aby wyczyścić ten filtr, należy go wyjąć z boku urządzenia. Jeśli filtr stawia opór przy wyciąganiu, należy go mocniej pociągnąć i wyjąć. Za pomocą odkurzacza usunąć kurz nagromadzony na filtrze.
- Jeśli jest bardzo zabrudzony, należy zanurzyć go w ciepłej wodzie i kilkakrotnie przepłukać. Temperatura wody nie może przekraczać 40 °C.
- Po umyciu filtr należy pozostawić do całkowitego wyschnięcia. Następnie włożyć z powrotem do wentylatora.
- Zaleca się czyszczenie filtra co najmniej raz w miesiącu.

**OSTRZEŻENIE:** Nie wolno zasłaniać kratki wlotu i wylotu powietrza wentylatora. Może to spowodować przegrzanie urządzenia.

- Dokładnie oczyścić filtr i usunąć ewentualne niedrożności z kratki wlotu lub wylotu powietrza.



### Rozwiązywanie problemów

Usterka	Rozwiązania
Urządzenie nie nagrzewa się.	<ul style="list-style-type: none"><li>Należy sprawdzić, czy urządzenie jest prawidłowo podłączone do zasilania sieciowego i włączone.</li><li>Ustawić wyższą temperaturę na regulatorze urządzenia.</li><li> Urządzenie zabezpieczające wyłączyło się samoczynnie. Należy usunąć przyczynę przegrzania (np. niedrożności lub przykrycie dmuchawy).</li></ul>
Urządzenie nagrzewa się w sposób ciągły.	<ul style="list-style-type: none"><li>Należy zmniejszyć ustawienie temperatury na regulatorze urządzenia.</li><li>Jeśli urządzenie nadal będzie się nagrzewać, należy skontaktować się z lokalnym sprzedawcą lub wykwalifikowanym specjalistą.</li><li>Sprawdzić, czy urządzenie sterujące lub czujnik temperatury nie są zakryte.</li></ul>
W pomieszczeniu jest cały czas zimno.	<ul style="list-style-type: none"><li>Należy sprawdzić, czy urządzenie ma moc wystarczającą do nagrzania pomieszczenia.</li><li>Przy pierwszym użyciu urządzenia nagrzanie pomieszczenia do wymaganej temperatury potrwa co najmniej kilka godzin (ustawienie maksymalnej temperatury nie powoduje przyspieszenia tego procesu).</li></ul>
Urządzenie nie wznawia ogrzewania po zamknięciu okna i uaktywnieniu funkcji „Otwarte okno”.	<ul style="list-style-type: none"><li>Może być konieczne odczekanie kilku minut, zanim czujnik wykryje zamknięcie okna.</li><li>Należy sprawdzić, czy w obszarze wokół sterowania urządzenia nie znajdują się żadne przeszkody.</li><li>Wyłączyć i ponownie włączyć funkcję.</li><li>Jeśli czas reakcji funkcji jest zbyt długi, można w dowolnym momencie wyłączyć grzejnik ręcznie.</li><li>Jeśli problem nie ustąpi, należy skontaktować się ze sprzedawcą lub wykwalifikowanym personelem.</li></ul>
Urządzenie wydziela zapach.	<ul style="list-style-type: none"><li>Podczas pierwszego użycia lub w przypadku użycia po długim czasie bezczynności urządzenie może wydzielać nieprzyjemny zapach, który jednak szybko się ulatnia.</li></ul>

**WAŻNE:** Jeśli problemy te występują nadal, odłącz zasilanie na 15 sekund, a następnie sprawdź działanie urządzenia.





- Przykładamy szczególną wagę do tego, aby wybierać materiały wysokiej jakości i stosować techniki produkcyjne, które umożliwiają tworzenie wytrzymałych, a zarazem atrakcyjnych produktów. Ten produkt GoodHome ma gwarancję producenta na 2 lat, która obejmuje wady produkcyjne, począwszy od daty zakupu (zakup w sklepie) lub dostawy (zakup przez Internet) bez dodatkowych kosztów w przypadku normalnego (nieprofesjonalnego lub niekomercyjnego) użytku domowego.
- Aby dokonać zgłoszenia reklamacyjnego, należy przedstawić dowód zakupu (np. paragon, fakturę lub inny dowód na mocy obowiązujących przepisów prawa). Dowód zakupu należy przechowywać w bezpiecznym miejscu. Gwarancja obejmuje produkty nowe; nie obejmuje produktów używanych lub z ekspozycji. Produkt zamienny objęty niniejszą gwarancją będzie nią objęty aż do wygaśnięcia okresu obowiązywania gwarancji oryginalnego produktu, chyba że określono inaczej w obowiązujących przepisach prawa.
- Niniejsza gwarancja obejmuje wady i uszkodzenia produktu, pod warunkiem że produkt był używany zgodnie z przeznaczeniem oraz zamontowany, czyszczony i konserwowany zgodnie z informacjami zawartymi powyżej oraz w instrukcji obsługi, a także ze standardowymi praktykami (jeśli te praktyki nie są sprzeczne z instrukcją użytkownika).
- Niniejsza gwarancja nie obejmuje wad ani uszkodzeń wynikających z normalnego zużycia lub uszkodzeń będących skutkiem niewłaściwego używania, montażu lub złożenia, a także zaniedbania, wypadku i modyfikacji produktu. Gwarancja nie obejmuje w żadnym wypadku dodatkowych kosztów (transportu, przenoszenia, montażu i demontażu, robocizny itd.) ani strat bezpośrednich lub pośrednich, chyba że określono inaczej w obowiązujących przepisach prawa.
- Jeśli produkt jest wadliwy, we właściwym czasie wymienimy.
- Prawa wynikające z tej gwarancji obowiązują w kraju, w którym zakupiono produkt. Zapytania dotyczące gwarancji powinno się kierować do sklepu, w którym zakupiono produkt.
- Niniejsza gwarancja jest dokumentem dodatkowym, który nie ma wpływu na ustawowe prawa konsumenta.
- Urządzenie należy podłączać wyłącznie do elektrycznych grzejników łazienkowych Solna i Loreto. Podłączanie do innych urządzeń jest zabronione i nie podlega gwarancji.
- Jeśli produkt zakupiono w Polsce, niniejsza gwarancja nie wyklucza, nie ogranicza ani nie zawiesza uprawnień wynikających z przepisów prawa dotyczących gwarancji na wady zakupionego towaru.



### RO Înainte de a începe

ACEST MANUAL DE INSTRUCȚIUNI ESTE IMPORTANT PENTRU SIGURANȚA DVS. ÎNAINTE DE A FOLOSI APARATUL, CITIȚI CU ATENȚIE ÎNTREGUL MANUAL ȘI PĂSTRAȚI-L PENTRU CONSULTARE ULTERIOARĂ.

**ATENȚIE:** Unele piese ale acestui produs pot deveni foarte fierbinți și pot cauza arsuri. Trebuie acordată atenție specială în cazurile în care sunt prezenți copiii și persoane vulnerabile.

- A se ține la distanță de copiii mai mici de 3 ani, cu excepția cazului în care sunt supravegheați în permanență. Copiii cu vârste între 3 și 8 ani au voie doar să pornească / să oprească aparatul, cu condiția ca acesta să fi fost amplasat sau instalat în poziția normală de funcționare și ca ei să fie supravegheați sau să fi fost instruiți cu privire

la folosirea în siguranță a aparatului și la riscurile pe care le implică acesta.

- Copiii cu vârste între 3 și 8 ani nu trebuie să deconecteze, să regleze și să curețe aparatul sau să efectueze lucrări de întreținere.
- Acest aparat poate fi folosit de către copii începând cu vârsta de 8 ani și de persoane cu capacități fizice, senzoriale sau mintale reduse sau fără experiență și cunoștințe numai sub supraveghere sau dacă au beneficiat de instruire cu privire la utilizarea aparatului în siguranță și dacă înțeleg riscurile implicate. Nu permiteți copiilor să se joace cu acest aparat. Curățarea și întreținerea de către utilizator nu vor fi efectuate de copii nesupravegheați.
- Nu instalați niciodată aparatul:



- imediat sub sau în fața unei prize sau a unei cutii de distribuție
- în apropierea draperiilor sau perdelelor, a materialelor inflamabile sau combustibile ori a recipientelor sub presiune.

**AVERTISMENT:** Respectați distanțele indicate în figurile 2 și 3. Pentru a evita riscurile pentru copiii mici, instalați aparatul cu cel mai de jos element de încălzire la cel puțin 60 cm de podea. (Fig. 2).

- Instalați și folosiți aparatul doar în modul descris în aceste instrucțiuni.
- În cazul în care cablul de alimentare este deteriorat, trebuie înlocuit de producător, agentul său de service sau persoane cu un nivel de calificare similar, pentru evita o situație periculoasă. Nu folosiți niciodată aparatul dacă sunt deteriorate comenzile electronice.

- Asigurați-vă că pe cablul electric fix este montat un întrerupător, pentru a-i permite aparatului să fie deconectat complet de la rețeaua electrică a locuinței, inclusiv cablul fir pilot, dacă există, potrivit regulilor de cablare.



**AVERTISMENT:** Nu obstrucționați orificiul de evacuare a aerului și grilajele de admisie de pe încălzitorul cu ventilator. Acest lucru ar putea provoca supraîncălzirea aparatului.

- Acest aparat este conceput pentru încălzirea încăperilor din locuințe sau a celor similare și pentru uscarea prosoapelor. Unele piese ale acestui produs pot deveni foarte fierbinți și pot cauza arsuri. Trebuie acordată atenție specială în cazurile în care sunt prezenți copii și persoane vulnerabile.

- Țineți materialele combustibile sau inflamabile ori recipientele sub presiune (de ex. tuburi spray, stingătoare de incendiu) la o distanță de cel puțin 50 cm de aparat. Nu pulverizați niciun tip de substanță pe suprafața aparatului
- Nu atingeți niciodată aparatul cu mâinile sau picioarele ude sau umede. Nu udați comenzile electronice cu apă sau alte lichide. Dacă se întâmplă așa ceva, deconectați aparatul de la sursa de alimentare și lăsați-l să se usuce complet.
- Când aparatul este instalat la altitudine mare, aerul va fi mai cald decât temperatura setată.
- În condiții de vreme rece, radiatorul poate emite sunete metalice când este pornit. Acest lucru se datorează dilatării materialelor.

Voltaj: 230 V~ 50 Hz



Conformitate cu toate cerințele din directivele CE relevante.



Produsele electrice uzate nu trebuie eliminate împreună cu deșeurile menajere. Acolo unde există facilitățile necesare, vă rugăm să reciclați. Pentru sfaturi privind reciclarea, consultați autoritatea locală sau magazinul local.



Produs din clasa II - Izolație dublă - Nu este necesară împământare.



Atenție, suprafață fierbinte

**IP24**

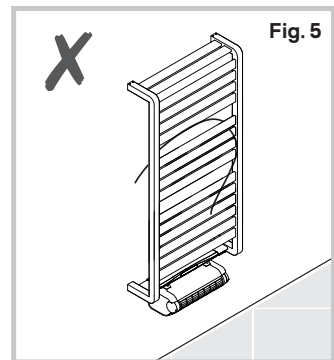
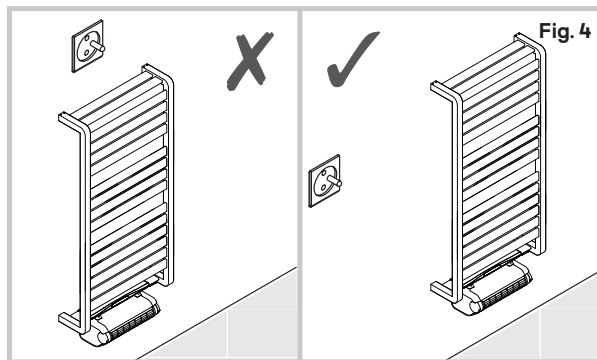
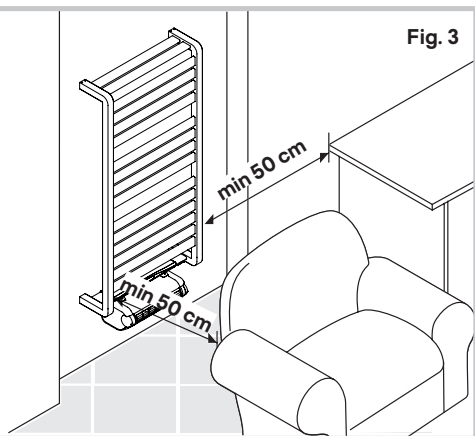
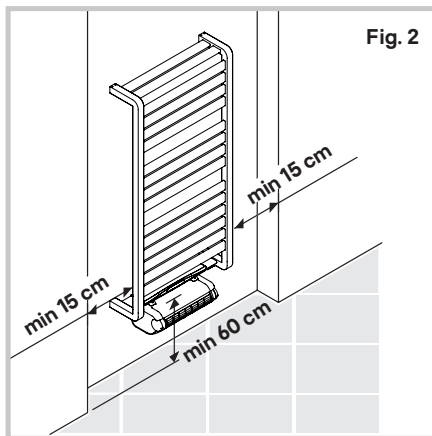
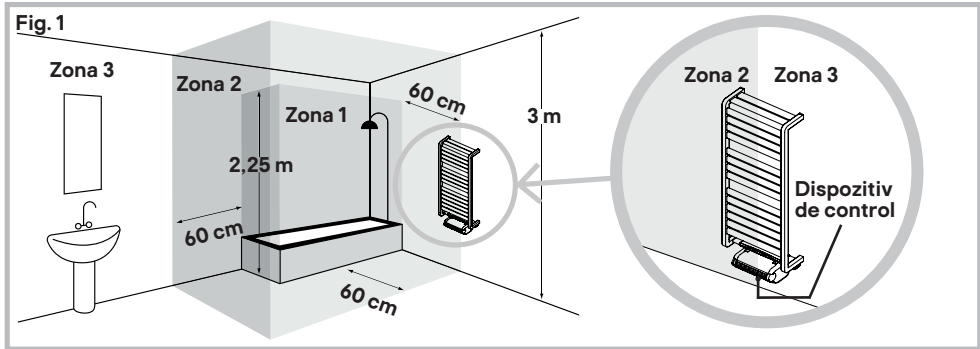
Rezistent la ploaie

yyWxx

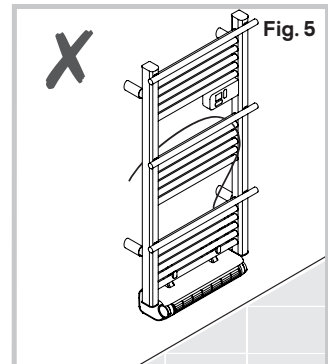
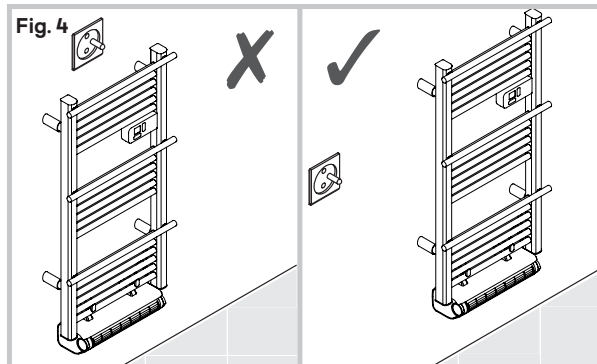
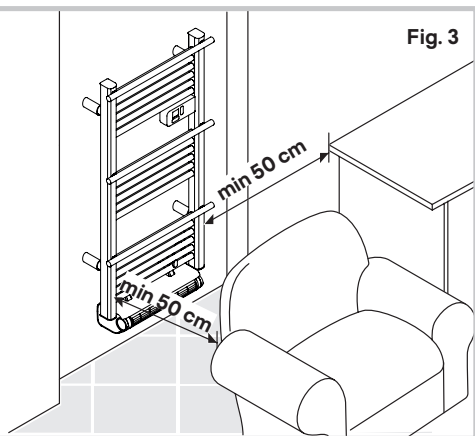
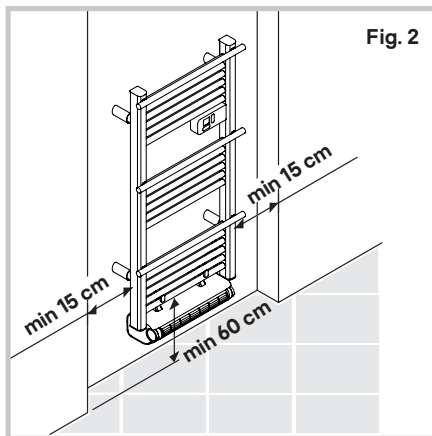
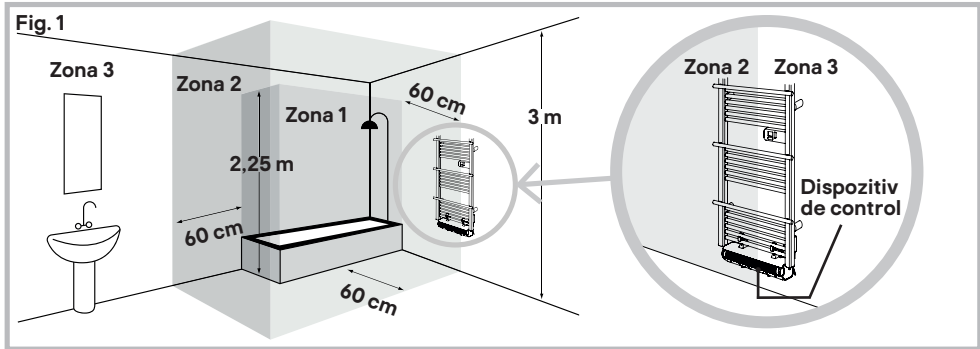
Codul datei de fabricație; anul fabricației (20yy) și săptămâna fabricației (Wxx).



Loreto



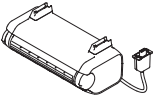
**Solna**



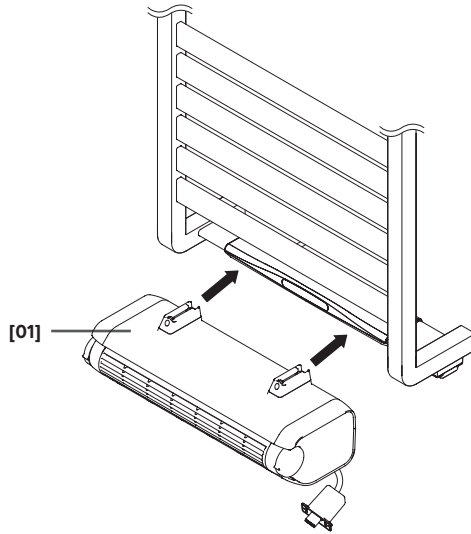


Loreto

# 01



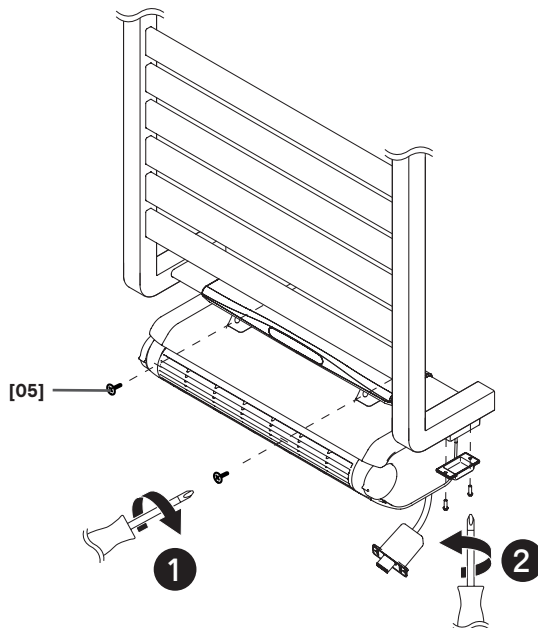
[01] x1



# 02

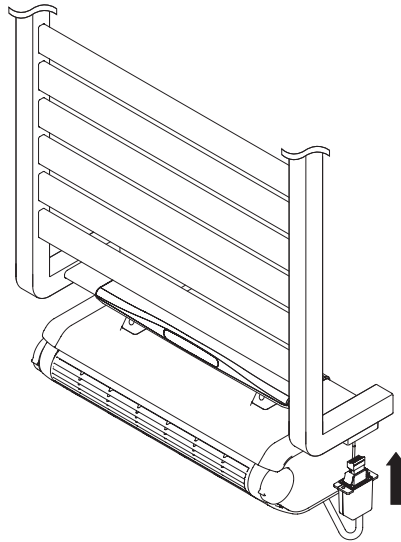


[05] x2

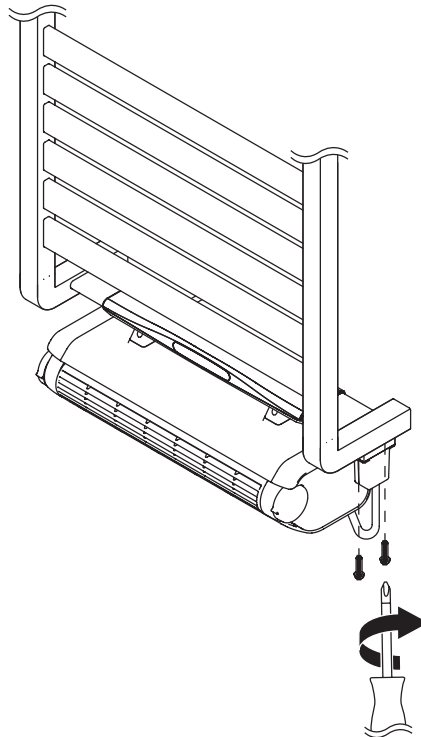




# 03



# 04





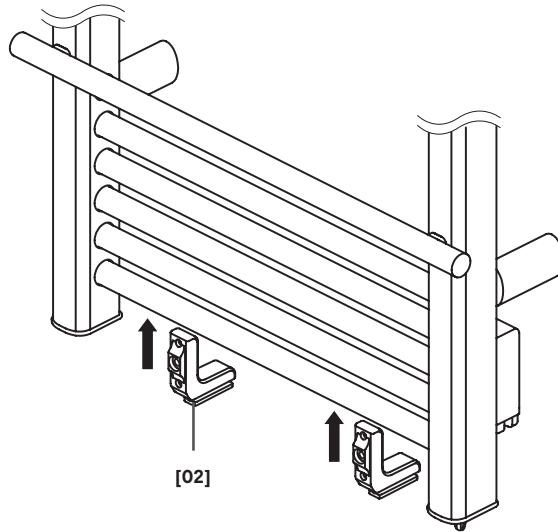


Solna

# 01



[02] x2



[02]

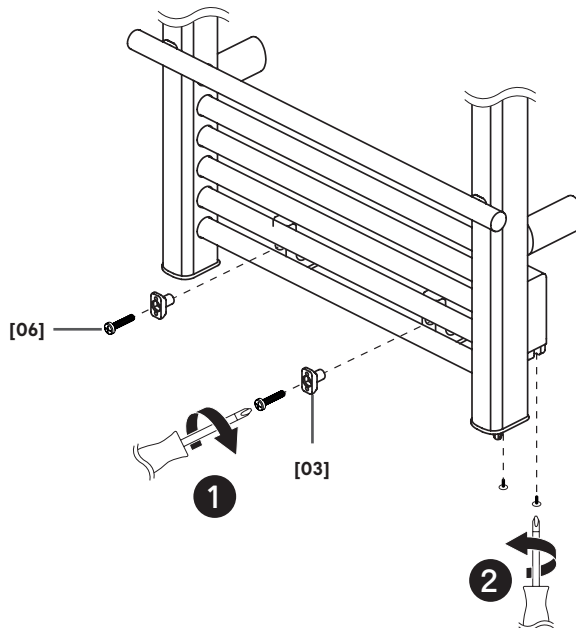
# 02



[03] x2



[06] x2



[06]

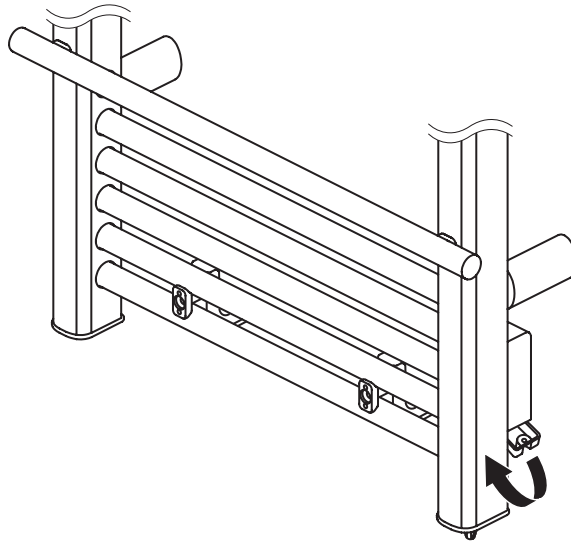
[03]

1

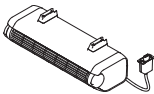
2



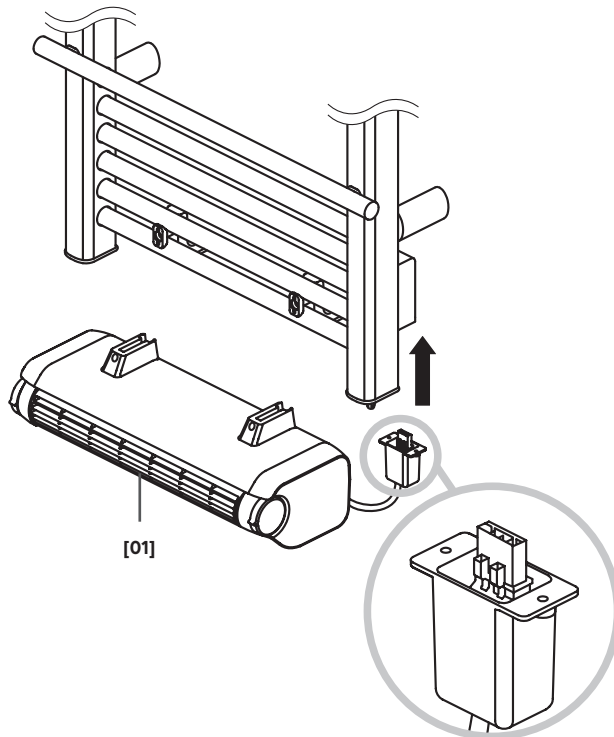
# 03



# 04

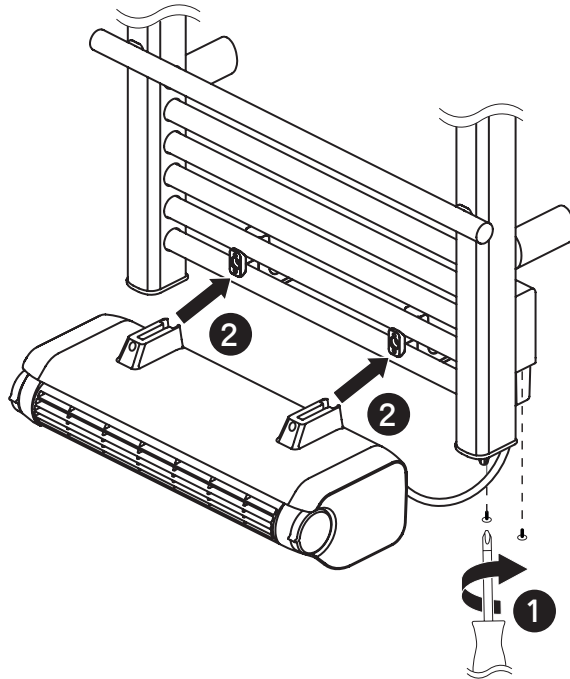


[01] x1





# 05



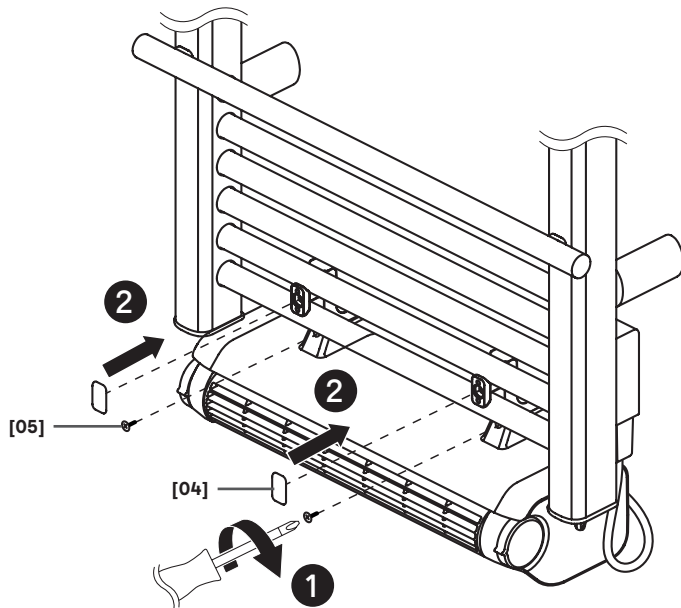
# 06



[04] x2



[05] x2





## Specificații

Combinatii unice de ventilator și radiator portprosop							
	Loreto				Solna		
	350 W	500 W	750 W	500 W (lățime de 800 mm)	350 W	500 W	750 W
500 W	X	X	X		X	X	X
1000 W		X	X	X		X	X

## Informații cu caracter general

- Instalați și folosiți aparatul doar în modul descris în aceste instrucțiuni.
- Aceste instrucțiuni nu acoperă toate situațiile care pot apărea. Este nevoie de precauție și simț practic la instalarea, folosirea și întreținerea aparatului.
- Se interzic în mod expres modificarea caracteristicilor aparatului și îndepărtarea oricărei componente fixe, inclusiv capacele, și/sau îndepărtarea dispozitivului de control în orice mod (Fig. 1).
- Materialele folosite pentru ambalare pot fi reciclate. Prin urmare, se recomandă să le aruncați în containere speciale pentru colectarea diferențiată a deșeurilor.

## Poziționare și instalare

- Aparatul trebuie folosit montat permanent pe suportul pentru prosoape, după cum se descrie în instrucțiuni.
- Nu instalați aparatul cu ventilatorul orientat în sus.
- În băi (cu cadă sau duș), instalați aparatul în afara zonei 0-1. Aparatul trebuie instalat astfel încât comenzile electronice și celelalte dispozitive de control să nu poată fi atinse de cineva care se află în cadă sau duș. Radiatorul portprosop nu trebuie conectat cu un ștecăr.

**AVERTISMENT: Respectați distanțele indicate în figurile 2 și 3. Pentru a evita riscurile pentru copiii mici, instalați aparatul cu cel mai de jos element de încălzire la cel puțin 60 cm de podea. (Fig. 2).**

- Nu instalați niciodată aparatul:
  - imediat sub sau în fața unei prize de curent sau a unei cutii de distribuție (Fig. 4)
  - în contact direct cu peretele sau podeaua
  - în apropierea perdelelor sau draperiilor, a materialelor inflamabile sau combustibile ori a recipientelor sub presiune.



### Montare pe perete

- În timpul montării, cablul de alimentare trebuie să fie deconectat de la rețeaua de curent.

### Conectare electrică

**AVERTISMENT: A se instala de un inginer specializat, în conformitate cu standardele aplicabile din țara în cauză. În timpul instalării aparatului, asigurați-vă că alimentarea electrică este oprită.**

- Aparatul necesită o sursă de alimentare de 230 V ~ 50 Hz. Asigurați-vă că rețeaua de alimentare este adecvată pentru datele indicate pe plăcuța de identificare a aparatului.
- Asigurați-vă că nu există niciun fel de contact între cablul de alimentare și suprafața aparatului (Fig. 5).



### Îngrijire și întreținere

#### Curățarea

- Înainte de curățare, asigurați-vă că aparatul este oprit, rece și deconectat de la rețeaua principală de alimentare.
- Pentru a-l curăța, ștergeți-l cu o cârpă moale și umedă și cu detergent neutru. Nu folosiți niciodată solvenți sau produse de curățare abrazive sau corozive.

#### Întreținere

- Dacă apar probleme tehnice, contactați un profesionist calificat (recunoscut sau autorizat de distribuitor sau producător) sau distribuitorul local.
- Toate intervențiile asupra aparatului trebuie efectuate de personal calificat care, înainte de a efectua lucrarea respectivă, trebuie să se asigure că aparatul este oprit, rece și deconectat de la rețeaua de alimentare.



### Întreținere și curățarea filtrului


- Înainte de curățare sau întreținere, opriți întotdeauna aparatul.
- Curățați aparatul doar cu o cârpă umedă, apoi ștergeți-l cu o cârpă uscată.
- Ventilatorul este echipat cu un filtru de praf ce reține impuritățile din aerul aspirat din încăpere.
- Scoateți filtrul din lateral pentru a-l curăța. Dacă filtrul opune rezistență la extragere, trageți mai tare și scoateți-l complet. Folosiți un aspirator pentru a îndepărta depunerile de praf de pe filtru.
- Dacă este foarte murdar, cufundați-l în apă caldă și clătiți-l de câteva ori. Temperatura apei nu trebuie să depășească niciodată 40 °C.
- După spălare, lăsați filtrul să se usuce bine. Apoi puneți-l la loc în ventilator.
- Se recomandă să curățați filtrul cel puțin o dată pe lună.

**AVERTISMENT:** Nu obstrucționați orificiul de evacuare a aerului și grilajele de admisie de pe ventilator. Acest lucru ar putea provoca supraîncălzirea aparatului.

- Curățați bine filtrul sau îndepărtați posibilele obstrucții de pe orificiul de admisie a aerului sau grilajele de evacuare.



### Depanare

Problemă	Soluții
Aparatul nu se încălzește.	<ul style="list-style-type: none"><li>• Verificați dacă aparatul este conectat corect la rețeaua electrică și se alimentează.</li><li>• Creșteți setarea de temperatură de pe regulatorul aparatului.</li><li>•  S-a declanșat dispozitivul de siguranță. Eliminați cauza supraîncălzirii (de exemplu, obstrucțiile sau obiectele care acoperă ventilatorul).</li></ul>
Aparatul încălzește încontinuu.	<ul style="list-style-type: none"><li>• Reduceți temperatura setată pe regulatorul aparatului.</li><li>• Dacă totuși continuă să încălzească, contactați distribuitorul local sau un profesionist calificat.</li><li>• Asigurați-vă dispozitivul de control sau senzorul de temperatură nu sunt acoperite de haine.</li></ul>
Încăperea continuă să fie rece.	<ul style="list-style-type: none"><li>• Asigurați-vă că puterea aparatului este adecvată pentru încăperea care trebuie încălzită.</li><li>• Dacă aparatul este folosit pentru prima dată, încăperea are nevoie de cel puțin două ore pentru a se încălzi la temperatura setată (setarea la maximum a radiatorului nu crește temperatura mai repede).</li></ul>
Aparatul nu reia încălzirea după ce fereastra este închisă și funcția „Fereastră deschisă” este activă.	<ul style="list-style-type: none"><li>• Poate fi necesar să așteptați câteva minute înainte ca senzorul să detecteze închiderea ferestrei.</li><li>• Verificați dacă zona din jurul comenzilor aparatului este liberă.</li><li>• Dezactivați și activați din nou funcția.</li><li>• Dacă timpul de răspuns al funcției este prea lung, puteți opri oricând manual radiatorul.</li><li>• Dacă problema persistă, contactați distribuitorul sau un profesionist calificat.</li></ul>
Aparatul emană un miros.	<ul style="list-style-type: none"><li>• Când este folosit pentru prima dată sau dacă a rămas nefolosit o perioadă îndelungată, aparatul poate emana un miros neplăcut, care ar trebui să dispară repede.</li></ul>

**IMPORTANT: Dacă problema persistă, întrerupeți alimentarea cu energie timp de 15 secunde, apoi verificați funcționarea.**



- Avem o grijă deosebită să selectăm materiale de înaltă calitate și să utilizăm tehnici de fabricare care ne permit să creăm produse care încorporează designul și durabilitatea. Acest produs GoodHome beneficiază de garanție din partea producătorului de 2 ani pentru defectele de fabricație, de la data achiziției (dacă este cumpărat din magazin) sau de la data livrării (dacă este cumpărat online), fără niciun cost suplimentar pentru uz casnic normal (nu profesional sau comercial).
- Pentru a efectua o solicitare în temeiul acestei garanții, trebuie să prezentați dovada achiziției (cum ar fi, chitanța de vânzare/bonul fiscal, factura de achiziție sau alte dovezi admisibile conform legii aplicabile); vă rugăm să păstrați dovada achiziției într-un loc sigur. Pentru ca această garanție să se aplice, produsul achiziționat trebuie să fie nou, garanția neaplicându-se pentru produse la mâna a doua sau produse de prezentare. Cu excepția cazului în care legislația aplicabilă prevede altfel, orice produs înlocuitor livrat în baza prezentei garanții va beneficia de garanție doar până la expirarea perioadei inițiale de garanție.
- Prezenta garanție acoperă defecțiunile produsului și erorile de funcționare, cu condiția ca produsul să fi fost utilizat în scopul prevăzut și să fi fost instalat, curățat, îngrijit și întreținut în conformitate cu informațiile conținute în termenii și condițiile prezente, manualul de utilizare și practicile standard, cu condiția ca practicile standard să nu fie în contradicție cu manualul de utilizare.
- Această garanție nu acoperă defectele și deteriorările provocate de uzura normală sau daunele care pot fi rezultatul utilizării necorespunzătoare, instalării sau asamblării defectuoase, neglijenței, accidentelor, utilizării greșite sau modificărilor aduse produsului. Cu excepția cazului în care legislația aplicabilă prevede altfel, prezenta garanție nu va acoperi, în niciun caz, costurile suplimentare (de expediere, deplasare, dezinstalare și reinstalare, manoperă etc.) sau daunele directe și indirecte.
- Dacă produsul este defect, vom proceda, într-un timp rezonabil, înlocuirea.
- Drepturile acoperite de această garanție sunt aplicabile în țara în care ați achiziționat produsul. Întrebările legate de garanție trebuie adresate magazinului de la care ați achiziționat produsul.
- Garanția este suplimentară drepturilor dvs. legale și nu le afectează.
- Acest produs trebuie conectat doar la radiatoarele electrice portprosop Solna și Loreto. Conectarea la oricare alt aparat este interzisă și nu este acoperită de garanția produsului.
- Dacă achiziționați acest produs din Turcia sau România, veți primi o garanție.



Manufacturer • Fabricant • Producent •  
Producător:

**UK Manufacturer:** Kingfisher International  
Products Limited, 3 Sheldon Square, London,  
W2 6PX, United Kingdom

**EU Manufacturer:** Kingfisher International  
Products B.V., Rapenburgerstraat 175E, 1011 VM  
Amsterdam, The Netherlands

**EN Distributor:**

B&Q Limited, Chandlers Ford, Hants, SO53 3LE,  
United Kingdom  
[www.diy.com](http://www.diy.com)

Screwfix Direct Limited, Trade House,  
Mead Avenue, Yeovil, BA22 8RT, United Kingdom  
[www.screwfix.com](http://www.screwfix.com)

To view instruction manuals online,  
visit [www.kingfisher.com/products](http://www.kingfisher.com/products)

Made in China

**FR Distributeur:**

Castorama France C.S., 50101 Templemars,  
59637 Wattignies CEDEX  
[www.castorama.fr](http://www.castorama.fr)

BRICO DÉPÔT 30-32 rue de la Tourelle,  
91310 Longpont-sur-Orge France  
[www.bricodepot.com](http://www.bricodepot.com)

Pour consulter les manuels d'instructions en  
ligne, rendez-vous sur le site  
[www.kingfisher.com/products](http://www.kingfisher.com/products)

Fabriqué en RPC

**PL Dystrybutor:**

Castorama Polska Sp. z o.o.  
ul. Krakowiaków 78, 02-255 Warszawa  
[www.castorama.pl](http://www.castorama.pl)

Aby zapoznać się z instrukcją obsługi online,  
odwiedź stronę [www.kingfisher.com/products](http://www.kingfisher.com/products)  
Wyprodukowano w ChRL

**RO Distribuitor:**

SC Bricostore România SA  
Calea Giulești 1-3, Sector 6,  
București, România  
[www.bricodepot.ro](http://www.bricodepot.ro)

Pentru a consulta manualele de instrucțiuni  
online, vizitați [www.kingfisher.com/products](http://www.kingfisher.com/products)  
Fabricat în China